

### ◆ Features

- \* With 4 sections control for  
Weak light → Mood light → Middle light → Strong light → Cut off
- \* High sensitivity and stability for touch switching
- \* Can be option through resistor adjusting by 110ACV/60Hz or 220ACV/60Hz for input power
- \* Less peripheral components required

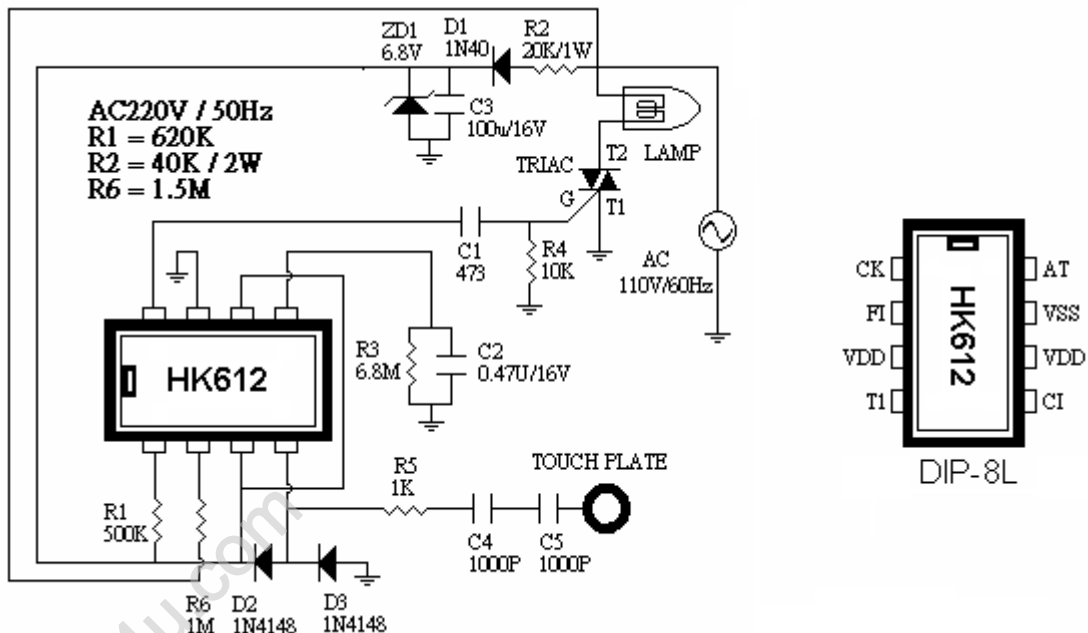
### ◆ Application

- \* Home light , AC motor control , Home security system

### ◆ Electrical Characteristics

Characteristics	Sym.	Min.	Typ.	Max.	Unit	Remark
Operating voltage	V <sub>DD</sub>	5	6	6.8	V	
Operating current	I <sub>OP</sub>	----	2	----	mA	NO LOAD
Stand by current	I <sub>SB</sub>	----	10	----	uA	
Oscillator frequency	F <sub>OSC</sub>	----	98	----	KHz	
Operating temperature	T <sub>EMP</sub>	0	25	60	°C	
Driving current	I <sub>O</sub>	1	----	----	mA	@ V <sub>DS</sub> =1V

### ◆ Application circuit



★ PACKAGE TYPE : DIP-8L