

DATA SHEET

DEVICE NUMBER : HL-1438LS

DATE \ SHEET	1	2	3	4	5	6					CONTENTS
2007-4-19	1.0	1.0	1.0	1.0	1.0	1.0					Initial Released

鸿利泰光电科技有限公司
HONGLITAI PHOTOELECTRICITY CO.,LTD
 深圳市宝安区沙井街道芙蓉工业区芙蓉 6 路 122 号
 Tel: 0755-29504006
 Fax: 0755-29504016
www.hlt-opto.com

APPROVED	DRAWER



INFRARED RECEIVER MODULE

Description

The HL-1438LS is miniaturized infrared receivers for remote control and other applications requiring improved ambient light rejection.

The separate PIN diode and preamplifier IC are assembled on a single leadframe.

The epoxy package contains a special IR filter.

This module has excellent performance even in disturbed ambient light applications and provides protection against uncontrolled output pulses.



Features

- Photo detector and preamplifier in one package .
- Internal filter for PCM frequency.
- Inner shield,good anti-interference ability.
- High immunity against ambient light.
- Improved shielding against electric field disturbance
- 3.0V or 5.0V supply voltage; low power consumption.
- TTL and CMOS compatibility.
-

Applications:

1. Optical switch
2. Light detecting protion of remote contol
 - AV instruments such as Audio,TV,VCR,CD,MD,DVD,etc.
 - Home appliances such as Air-conditioner,Fan,etc.
 - CATV set top boxes
 - Multi-media Equipment

● Absolute Maximum Ratings(Ta=25)

Parameter	Symbol	Ratings	Unit	Notice
Supply Voltage	Vs	2.4-6.5	V	—
Operating Temperature	Topr	-20~+65		—
Storage Temperature	Tstg	-40~+85		—
Soldering Temperature	Tsd	260		4mm from mold body less than 5 sec

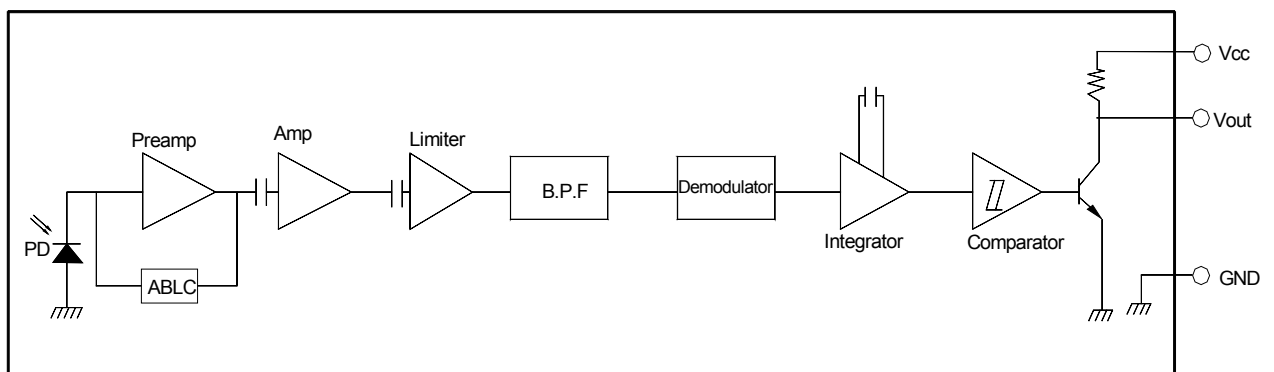
● **Electrical And Optical Characteristics**($T_a=25$)

Parameter	Symbol	Ratings			Unit	Condition
		Min.	Typ.	Max.		
Supply Voltage	V_s	2.7	-	6	V	
Supply Current	I_{cc}	—	—	1.5	mA	No signal input
Reception Distance	L_0	16	—	—	m	At the ray axis*1
	L_{45}	8	—	—		
B.P.F Center Frequency	f_o	—	38	—	KHz	
Peak Wavelength	λ_p	—	940	—	nm	
Half Angle	θ	—	45	—	deg	At the ray axis *1
High Level Pulse Width	T_H	450	—	800	μS	At the ray axis *2
Low Level Pulse Width	T_L	450	—	800	μS	
High Level Output Voltage	V_H	$V_{cc}-0.3$	—	—	V	
Low Level Output Voltage	V_L	—	—	0.3	V	

*1: The ray receiving surface at a vertex and relation to the ray axis in the range of $\theta=0^\circ$ and $\theta=45^\circ$

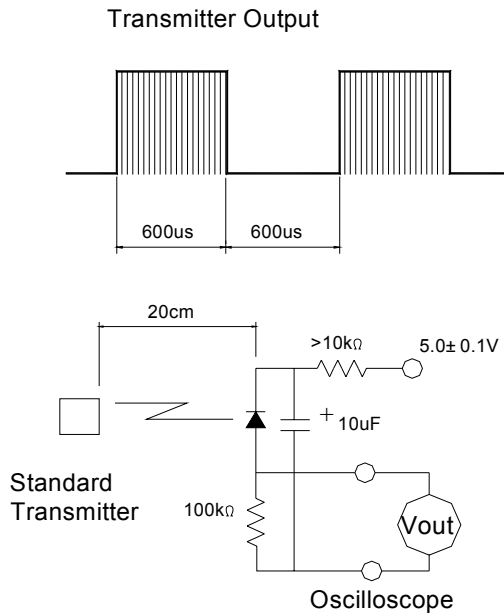
*2: A range from 30cm to the arrival distance. Average value of 50 pulses

BLOCK DIAGRAM

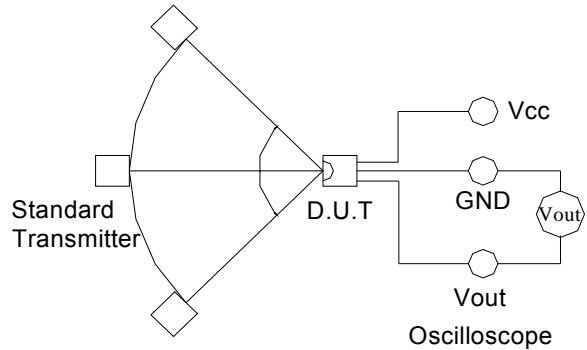


● **Test Method**

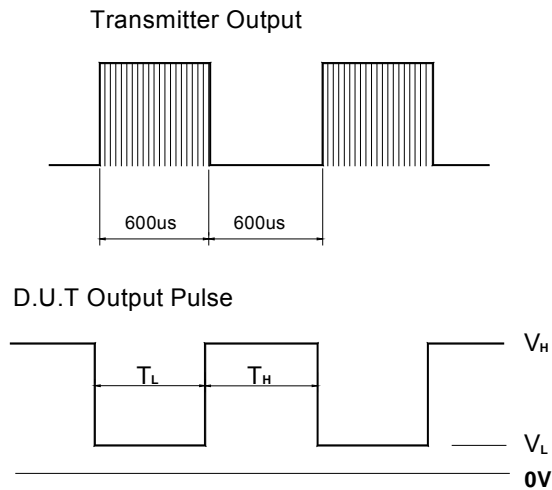
A. Standard Transmitter



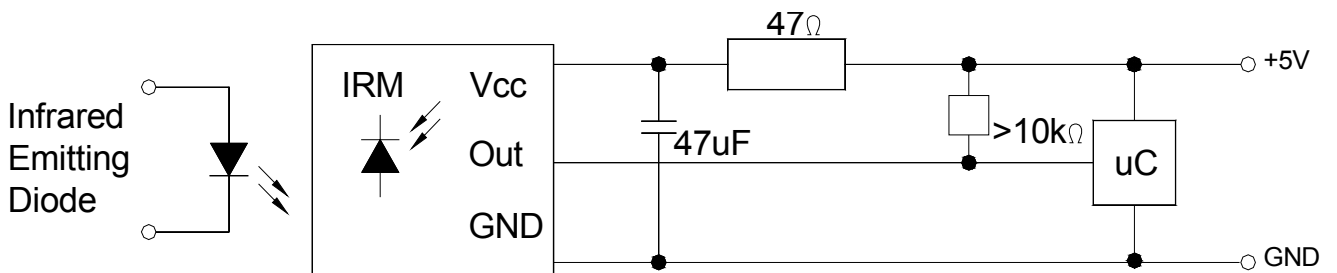
B. Detection Length Test



C. Pulse Width Test

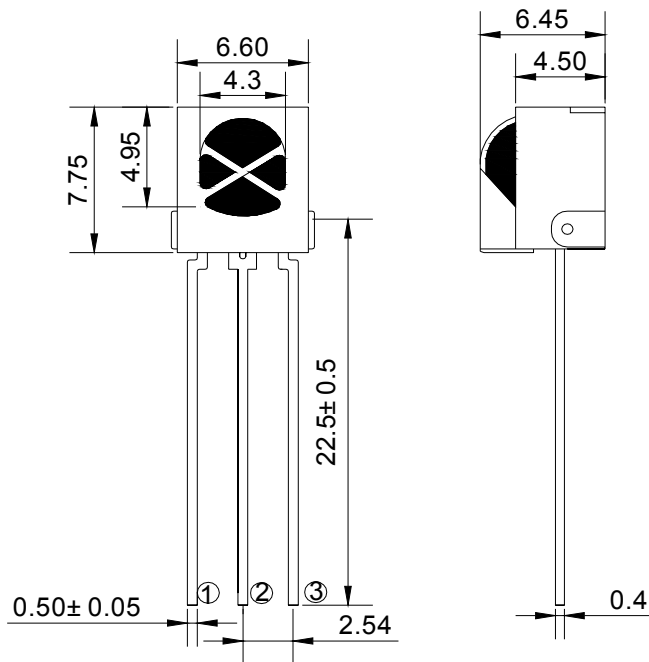


● **Application Circuit**





Package Dimensions:



- ① OUT
- ② GND
- ③ VCC

NOTES:

1. All dimensions are in millimeters (inches).
2. Tolerance is $\pm 0.30\text{mm}$ (0.012") unless otherwise specified.
3. Specifications are subject to change without notice.



● Electrical And Optical Curves(Ta=25)

Fig.1 Relative Spectral Sensitivity vs. Wavelength

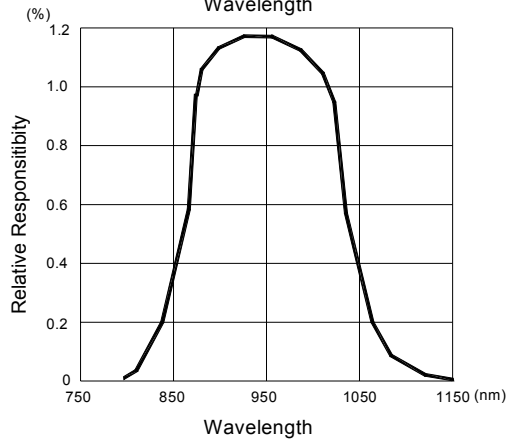


Fig.2 Relative Transmission Distance Vs. Direction

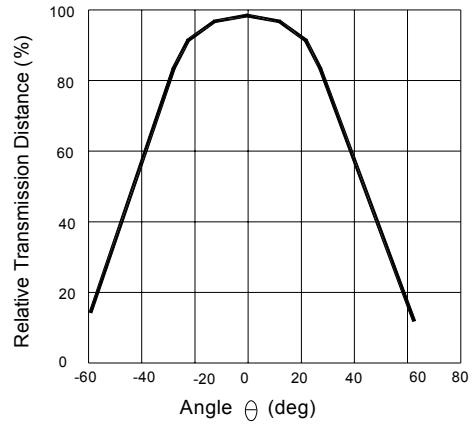


Fig.3 Frequency Dependence of Responsivity

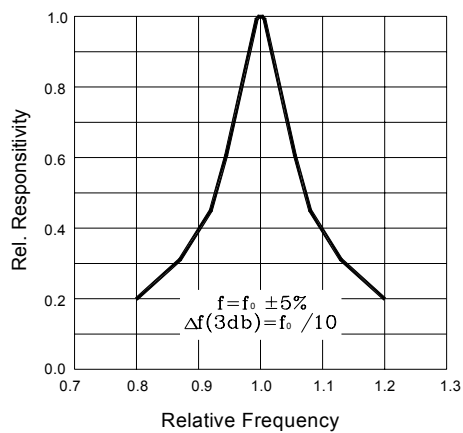


Fig.4 Supply Current vs. Ambient Temperature

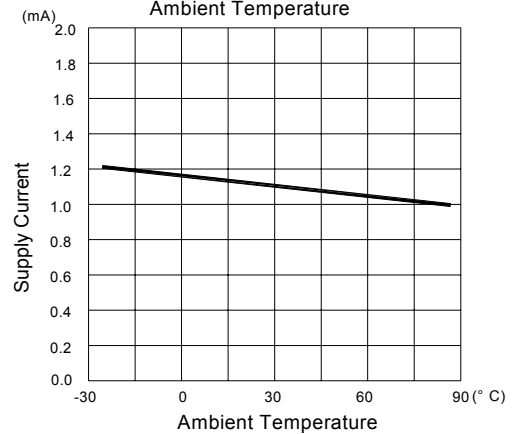


Fig.5 Relative Transmission Distance vs. Direction

