

SPECIFICATIONS

Shrouded Header

Mechanical

Contact Retention Force: 1.36kg min.

Electrical

Voltage Rating: 250V

Current Rating: 3A

Dielectric Withstanding Voltage: 1000V AC

Insulation Resistance: 1000M Ω

Physical

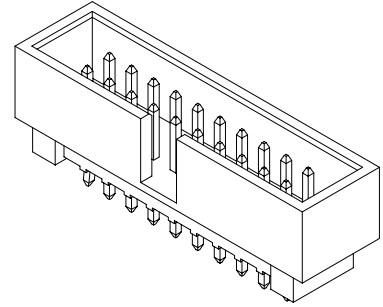
Housing: Thermoplastic, UL 94V-0 rated in Black Color

Contact: Copper alloy

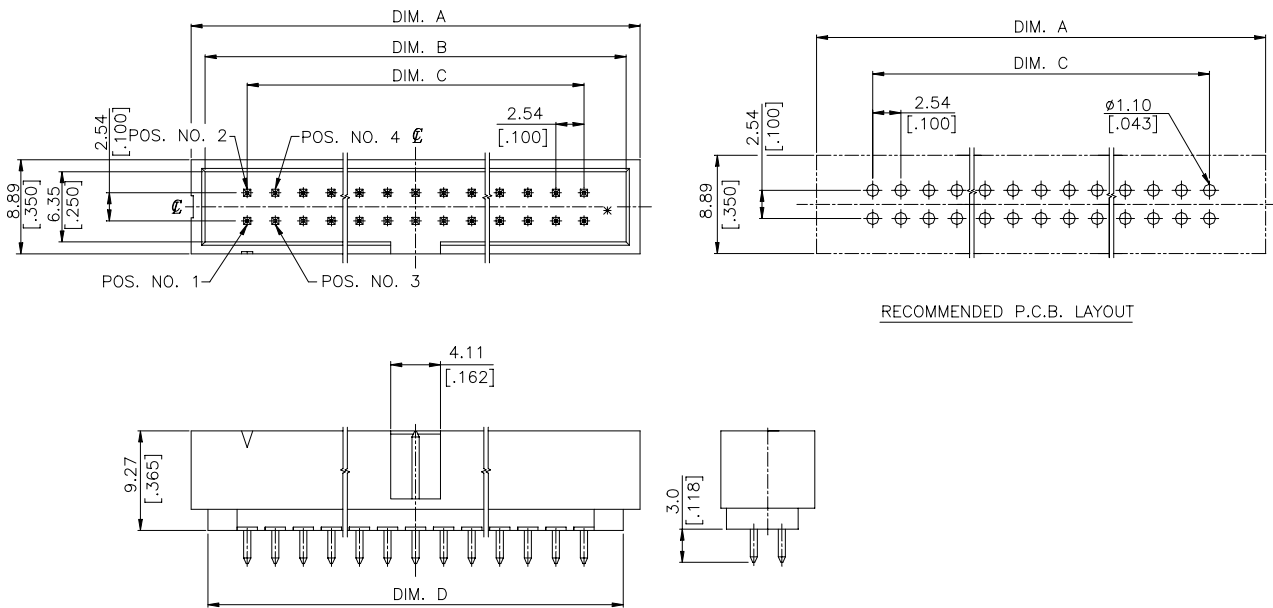
Plating: See "ORDERING INFORMATION"

Operating Temperature: -40°C to +105°C

HL07 Series
Vertical, T/H Type
2.54mm x 2.54mm Grid
[.100" x .100"]



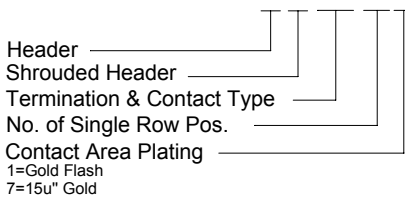
DRAWING



RECOMMENDED P.C.B. LAYOUT

ORDERING INFORMATION

PRODUCT NO.: HL07***



P/N	POS.	DIM. A	DIM. B	DIM. C	DIM. D
HL0725*	25/50	71.12 [2.800]	68.58 [2.700]	60.96 [2.400]	68.07 [2.680]
HL0720*	20/40	58.42 [2.300]	55.88 [2.200]	48.26 [1.900]	55.37 [2.180]
HL0717*	17/34	50.80 [2.000]	48.26 [1.900]	40.64 [1.600]	47.75 [1.880]
HL0715*	15/30	45.72 [1.800]	43.18 [1.700]	35.56 [1.400]	42.67 [1.680]
HL0713*	13/26	40.64 [1.600]	38.10 [1.500]	30.48 [1.200]	37.59 [1.480]
HL0710*	10/20	33.02 [1.300]	30.48 [1.200]	22.86 [.900]	29.97 [1.180]
HL0709*	9/18	30.48 [1.200]	27.94 [1.100]	20.32 [.800]	27.43 [1.080]
HL0708*	8/16	27.94 [1.100]	25.40 [1.000]	17.78 [.700]	24.89 [.980]
HL0707*	7/14	25.40 [1.000]	22.86 [.900]	15.24 [.600]	22.35 [.880]
HL0706*	6/12	22.86 [.900]	20.32 [.800]	12.70 [.500]	19.81 [.780]
HL0705*	5/10	20.32 [.800]	17.78 [.700]	10.16 [.400]	17.27 [.680]