

HL081- Synchronous flash IC

Overview

HL081 using CMOS process synchronization colorful flash IC. With RGB trichromatic LED highlight can be shown by gorgeous color light effects. Widely used in toys and other occasions, such as lawn lamp, square lamp, guardrail lamp decorative lighting and other cities occasions.

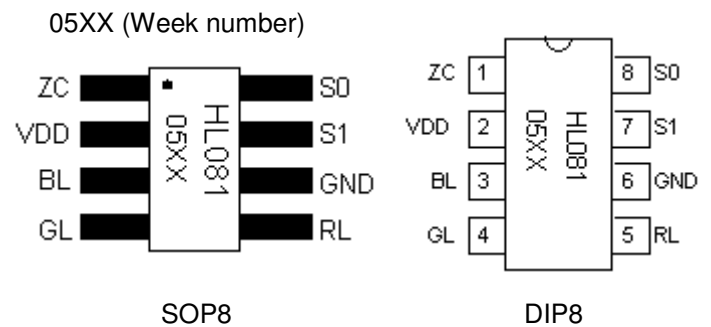
Characteristics

- Working Voltage 3~5.5 V
- operating current is less than 300 μ A
- mode is set with a client, there are four changes in mode (shown in the table)
- applicable to the exchange of electricity, through power at the same time, realize synchronization function

A	Goes through all modes (B、C、D)	S0、S1 high impedance
B	Three-way overlap	S0 @ V _{DD} , S1 @ HI
C	Colorful changes	S1@ V _{DD} , S0 @ HI
D	Colorful hopping	S0 & S1@ V _{DD}

Pin arrangement and assembly description

1	ZC	50/60Hz Input
2	V _{DD}	Power
3	BL	Blue output
4	GL	Green output
5	RL	Red output
6	GND	GND
7	S1	Mode selection
8	S0	Mode selection



Electrical parameters (unless specified: V_{DD} = 5V, TEMP = 25 °C)

ITEM	UNIT	TEST CONDITION	MIN	TYP	MAX	UNIT
Working voltage	V _{CC}	Normal function	3	5	5.5	V
Operating current	I _{CC}	There is oscillation, no load	--	200	300	μ A
Q output current	I _{OH}	V _{DS} =0.8V	4	--	--	mA
	I _{OL}		3	--	--	
Operating temp.	T _{EMP}		-10	25	70	°C

Reference schematic

