

HLM1230 5mW RED LASER MODULE

650 nm
5mW
RED
LASER MODULE

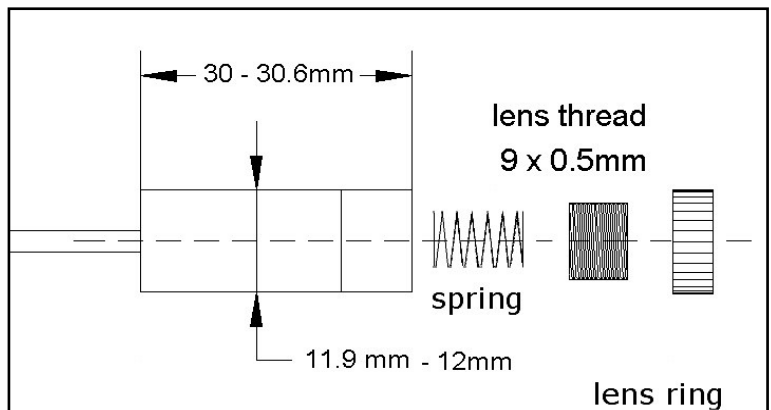
FOCUSABLE
ACRYLIC LENS



< 5mW 650nm FOCUSABLE LASER MODULE

SPECIFICATIONS

INPUT VOLTAGE	3.5 - 4.5	v dc
OPERATING CURRENT	< 25	mA
WAVELENGTH	645-655	nm
OPTICAL POWER	< 5	mW
TTL BLANKING	NO	kHz
BEAM DIAM.	0.75 +/- 0.05	mm
DIVERGENCE	>0.5	mRad
WARM UP TIME	<1.0	sec
Operating Temperature	-10 - +50	deg C
POLARITY	RED +ve	BLACK -ve



FEATURES

BUILT IN APC DRIVER

LENS ADJUSTABLE BY HAND
NO TOOLS NEEDED

CHROME PLATED BRASS HEATSINK CASE

LEAD LENGTH 120mm

Please note :

The laser diode housing is not isolated.
CASE IS ANODE

WARNING

This is an OEM module. The owner is responsible for safe use and for incorporating it into a suitable housing.
OPTICAL HAZARD FROM LASER RADIATION
DO NOT LOOK DIRECTLY INTO THE BEAM.

For further information or advice please contact howard@hbatchen.co.uk