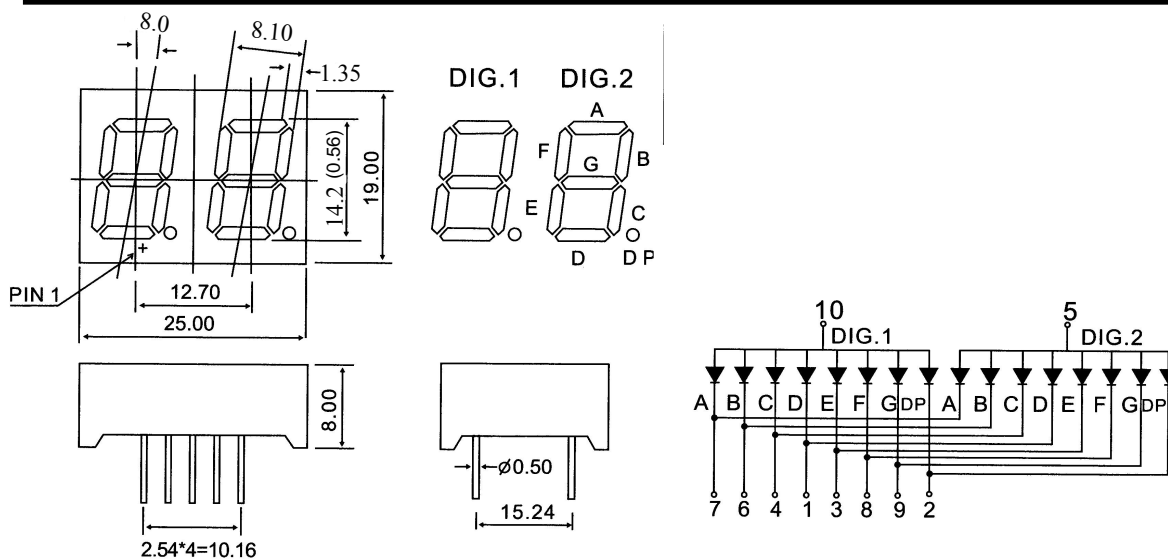
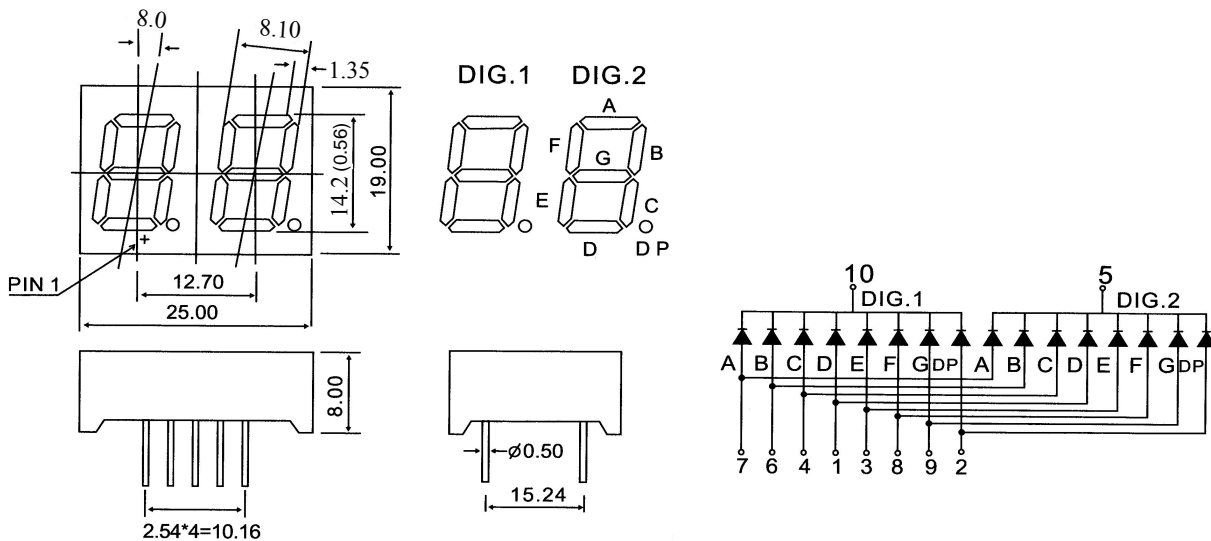


Model: HLX5621AS/5261AS/SM220561K HLX5621BS/5261BS/SM210561K



ELECTRICAL-OPTICAL CHARACTERISTICS(Ta=25°C)

PartNO.	C.C Or C.A	Emitted Color	λ_P (nm)	Electro-Optical Characteristics IF=20mA				
				IV(mcd)/seg		VF(v)		IF (Rec)
				Min	Typ	Typ	Max	
HLX5621ASR	C.C	Red	640	0.3	0.6	2.2	2.5	5~10
HLX5621ASG		Green	571	0.7	1.6	2.2	2.5	10~20
HLX5621ASY		Yellow	585	0.6	1.5	2.1	2.5	10~20
HLX5621ASHN		Orange	610	0.7	1.8	2	2.5	10~20
HLX5621ASH		High Red	630	1.5	5	1.8	2.3	10~20
HLX5621BSR	C.A	Red	640	0.3	0.6	2.2	2.5	5~10
HLX5621BSG		Green	571	0.7	1.6	2.2	2.5	10~20
HLX5621BSY		Yellow	585	0.6	1.5	2.1	2.5	10~20
HLX5621BSHN		Orange	610	0.7	1.8	2	2.5	10~20
HLX5621BSH		High Red	630	1.5	5	1.8	2.3	10~20