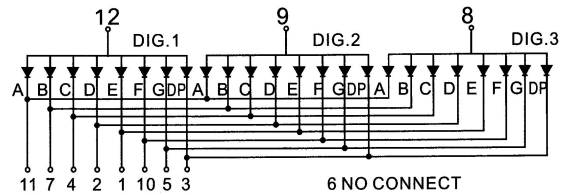
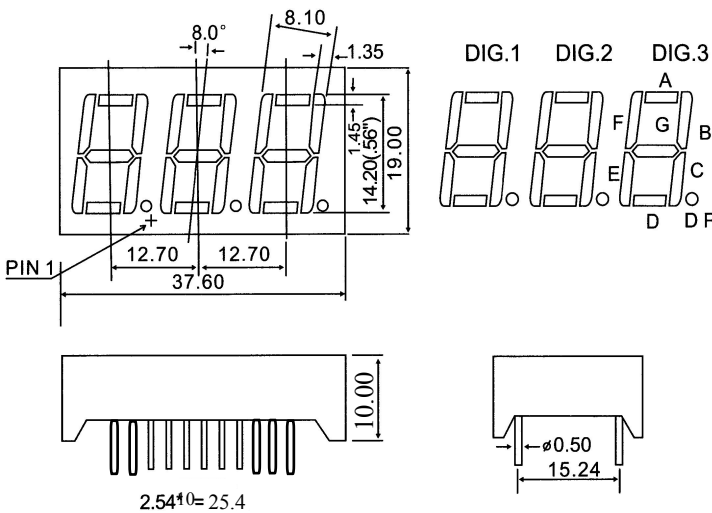
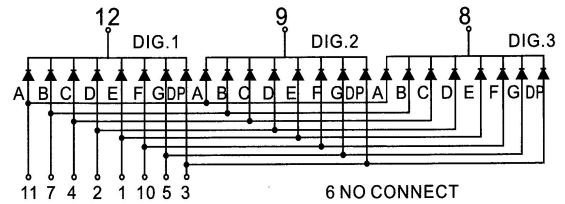
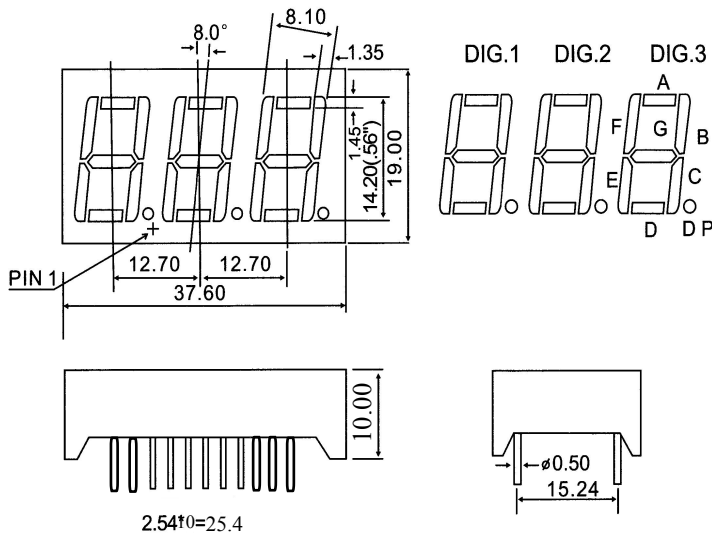


Model: HLX5631GAS/5361GAS/SM320561K

HLX5631GBS/53611GBS/SM310561K



ELECTRICAL-OPTICAL CHARACTERISTICS (Ta=25°C)

PartNO.	C.C Or C.A	Emitted Color	λ_P (nm)	Electro-Optical Characteristics IF=20mA				
				IV(mcd)/seg		VF(v)		IF (Rec)
				Min	Typ	Typ	Max	
HLX5631GASR	C.C	Red	640	0.3	0.65	2.2	2.5	5~10
HLX5631GASG		Green	571	0.8	2	2.2	2.5	10~20
HLX5631GASY		Yellow	585	0.7	2	2.1	2.5	10~20
HLX5631GASHN		Orange	610	0.8	2	2	2.5	10~20
HLX5631GASH		High Red	630	4	8	1.8	2.3	10~20
HLX5631GBSR	C.A	Red	640	0.3	0.65	2.2	2.5	5~10
HLX5631GBSG		Green	571	0.8	2	2.2	2.5	10~20
HLX5631GBSY		Yellow	585	0.7	2	2.1	2.5	10~20
HLX5631GBSHN		Orange	610	0.8	2	2	2.5	10~20
HLX5631GBSH		High Red	630	4	8	2	2.3	10~20