



HM9110B/C

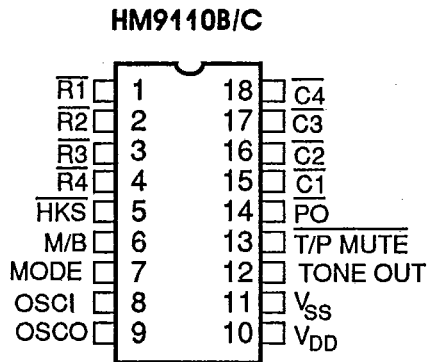
TONE/PULSE SWITCHABLE & 10 MEMORY DIALER

Features

- Tone/Pulse switchable Dialer.
- One 31-digit memory for the last number redial.
- Auto pause access for PBX operation; 3.6 sec per pause. (2 sec, 3.2 sec pause time can be obtained by metal option.)
- Pulse to tone key (P-T) for toll service operation.
- Use 3.579545MHz crystal.
- Flash Key is available in PBX; Flash time is 600ms & 100ms by M/B controller.
- In pulse mode, # can be used as P-T key.
- Minimum tone duration=100ms and minimum intertone pause=106ms for rapid key-in.
- M/B PIN SELECT TO 3 TYPES:

	M/B	Pulse rate	Flash time	M/B rate
HM9110B	OPEN	20PPS	600ms	33:66
	V _{SS}	10PPS	600ms	40:60
	V _{DD}	10PPS	100ms	33:66
	M/B	Pulse rate	Flash time	M/B rate
HM9110C	OPEN	20PPS	600ms	33:66
	V _{SS}	10PPS	100ms	40:60
	V _{DD}	10PPS	600ms	33:66

Pin Assignment



Keyboard Scheme

COL1	COL2	COL3	COL4	
1	2	3	ST	ROW1
4	5	6	MEMO	ROW2
7	8	9	F	ROW3
*	0	#	RD/P	ROW4

F: Flash
 ST: Memory storing
 MEMO: Memory Recalling
 RD: Redial
 RD/P: First touch after off-hook is redial function
 others execute pause function
 #: P-T (In pulse mode)