



# HM9215 SERIES (HM9215/11/10/09/05)

## PROGRAMMABLE MANCHESTERCODE ENCODER/DECODER

### Features

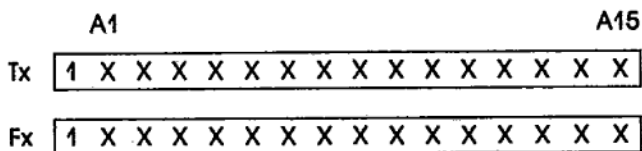
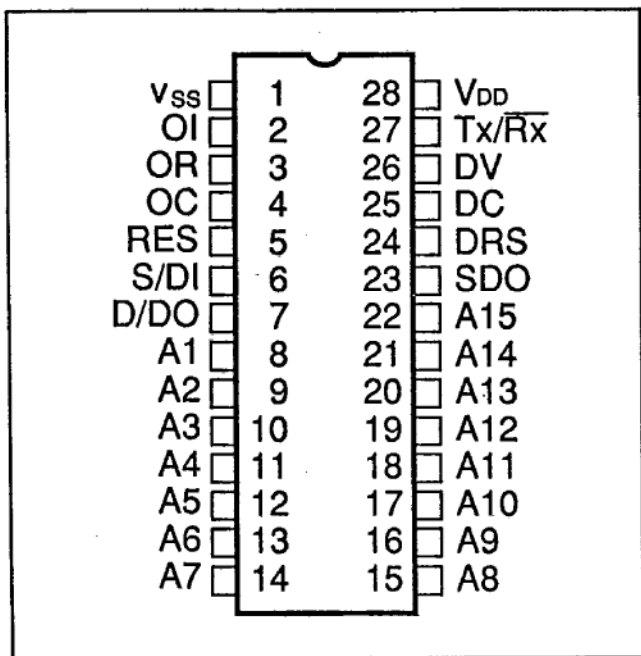
- Operating voltage range 3.0V-9.0V.
- Manchester code encoder/decoder on one chip.
- Stable operating frequency.
- On chip oscillator using inexpensive RC components. (R.C:  $\pm 10\%$ )
- Automatic preamble generation.
- Schmitt trigger for data Input.
- Low stand-by current.

### Applications

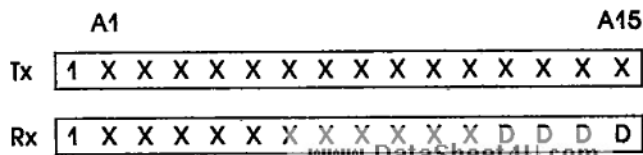
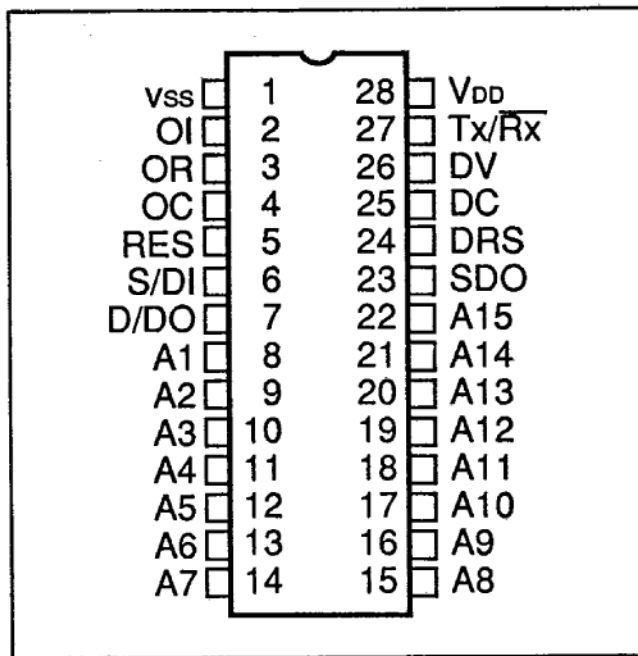
- Cordless telephone.
- Remote control.
- Car alarm control system.
- Security system.
- Digital locks.
- Paging system.

### Pin Configuration and Code Patterns

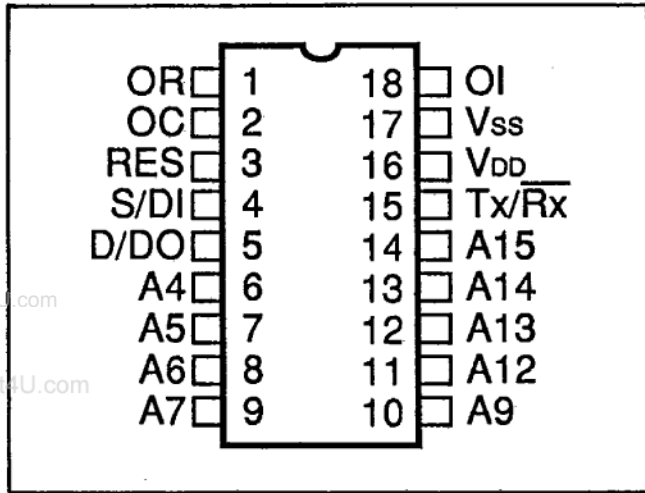
HM9215



HM9211

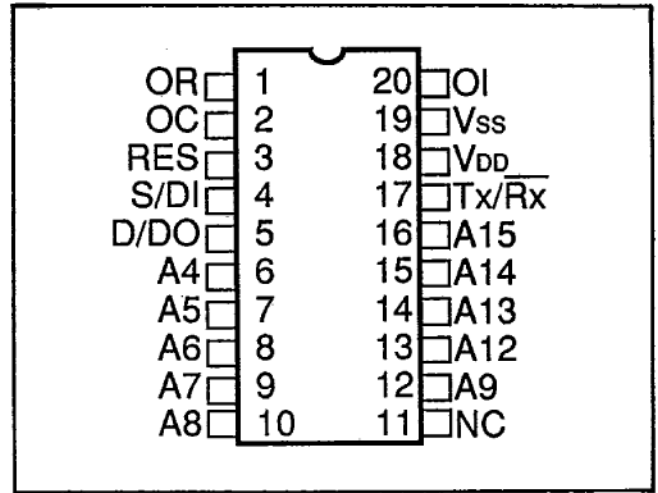


### HM9209



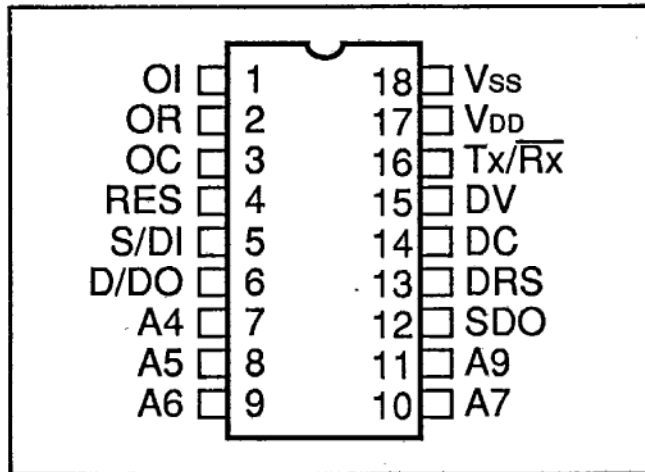
	A1	A15
Tx	1 0 0 0	X X X X 0 X 0 0 X X X X
Rx	1 0 0 0	X X X X 0 X 0 0 X X X X

### HM9210



	A1	A15
Tx	1 0 0 0	X X X X X X 0 0 X X X X
Rx	1 0 0 0	X X X X X X 0 0 X X X X

### HM9205



	A1	A15
Tx	1 0 0 0	X X X X 0 X 0 0 X X X X
Rx	1 0 0 0	X X X X 0 X 0 0 D D D D

Note: X = Programmable  
 0 = Hardwired Internally Zero  
 1 = Hardwired Internally One  
 D = Don't Care in Receive Mode