

## GaAs HEMT MMIC LOW NOISE AMPLIFIER, 27 - 33 GHz

### Typical Applications

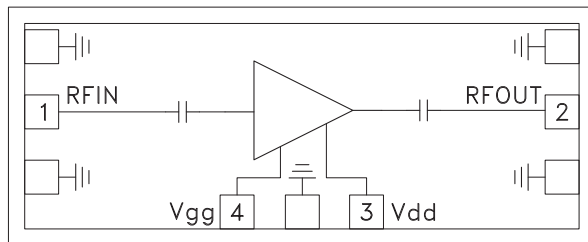
This HMC-ALH313 is ideal for:

- Point-to-Point Radios
- Point-to-Multi-Point Radios
- VSAT
- Test Equipment & Sensors
- Military & Space

### Features

- Noise Figure: 3 dB
- Gain: 20 dB
- P1dB Output Power: +12 dBm
- Supply Voltage: +2.5V @ 52 mA
- Die Size: 1.80 x 0.73 x 0.1 mm

### Functional Diagram



### General Description

The HMC-ALH313 is a three stage GaAs MMIC HEMT Low Noise Amplifier die which operates between 27 and 33 GHz. The amplifier provides 20 dB of gain, a 3 dB noise figure and +12 dBm of output power at 1 dB gain compression while requiring only 52 mA from a +2.5V supply voltage. This amplifier die is ideal for use as a LNA or driver amplifier, and may be easily integrated into Multi-Chip-Modules (MCMs) due to its small size (1.30 mm<sup>2</sup>).

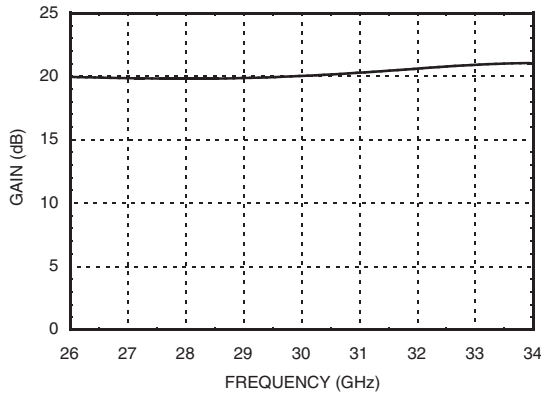
### Electrical Specifications <sup>[1]</sup>, $T_A = +25^\circ\text{C}$ , $V_{dd} = 2.5\text{V}$ , $I_{dd} = 52\text{mA}$ <sup>[2]</sup>

| Parameter                         | Min.    | Typ. | Max. | Units   |
|-----------------------------------|---------|------|------|---------|
| Frequency Range                   | 27 - 33 |      |      | GHz     |
| Gain                              | 18      | 20   |      | dB      |
| Gain Variation over Temperature   |         | 0.03 |      | dB / °C |
| Noise Figure                      |         | 3    | 3.5  | dB      |
| Input Return Loss                 |         | 12   |      | dB      |
| Output Return Loss                |         | 14   |      | dB      |
| Output Power for 1 dB Compression | 10      | 12   |      | dBm     |
| Supply Current                    |         | 52   |      | mA      |

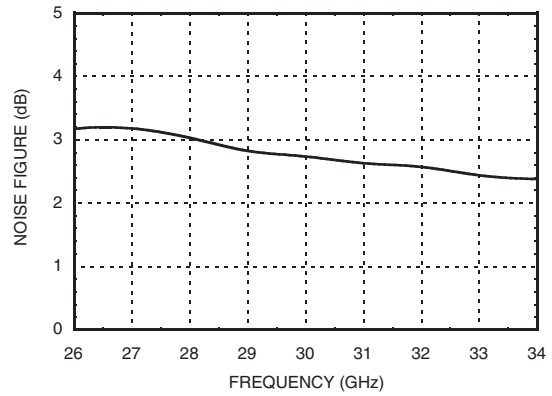
[1] Unless otherwise indicated, all measurements are from probed die  
 [2] Adjust Vgg between -1V to +0.3V (Typ. -0.3V) to achieve  $I_{dd, total} = 52\text{ mA}$

**GaAs HEMT MMIC LOW NOISE AMPLIFIER, 27 - 33 GHz**

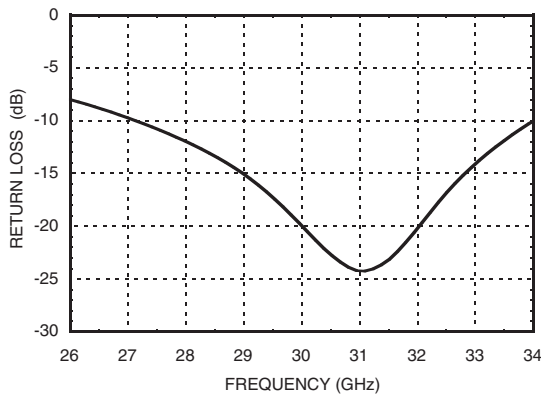
**Linear Gain vs. Frequency**



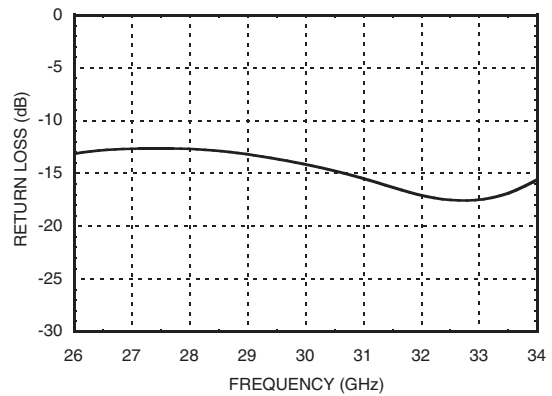
**Noise Figure vs. Frequency**



**Input Return Loss vs. Frequency**



**Output Return Loss vs. Frequency**



## GaAs HEMT MMIC LOW NOISE AMPLIFIER, 27 - 33 GHz

1

LOW NOISE AMPLIFIERS - CHIP

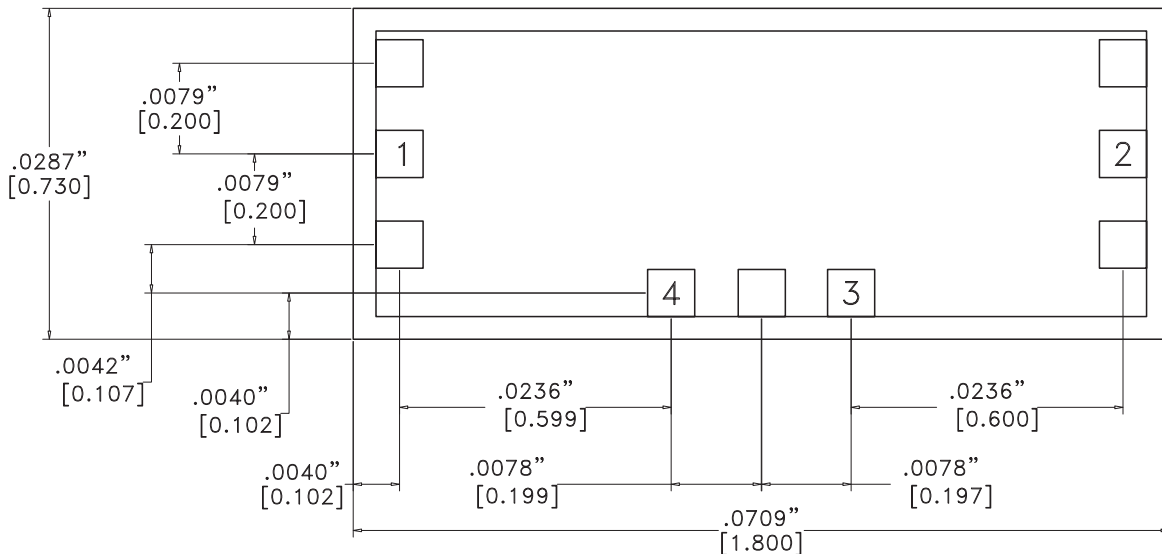
### Absolute Maximum Ratings

|                       |                |
|-----------------------|----------------|
| Drain Bias Voltage    | +5 Vdc         |
| Gate Bias Voltage     | -1 to +0.3 Vdc |
| RF Input Power        | -3 dBm         |
| Channel Temperature   | 180 °C         |
| Storage Temperature   | -65 to +150 °C |
| Operating Temperature | -55 to +85 °C  |



ELECTROSTATIC SENSITIVE DEVICE  
 OBSERVE HANDLING PRECAUTIONS

### Outline Drawing



### Die Packaging Information <sup>[1]</sup>

| Standard | Alternate |
|----------|-----------|
| WP - 17  | [2]       |

[1] Refer to the "Packaging Information" section for die packaging dimensions.

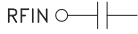
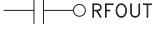
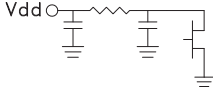
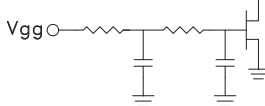

[2] For alternate packaging information contact Hittite Microwave Corporation.

#### NOTES:

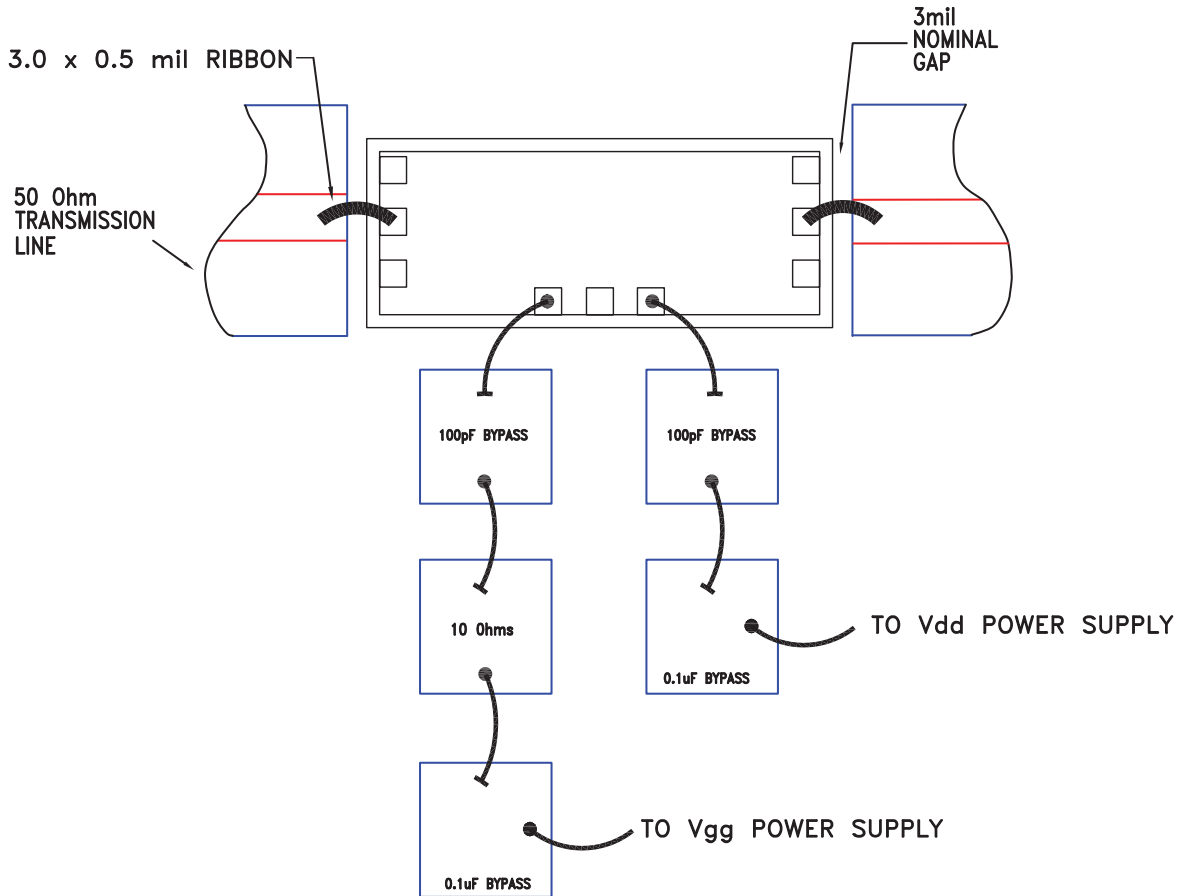
1. ALL DIMENSIONS ARE IN INCHES [MM].
2. TYPICAL BOND PAD IS .004" SQUARE.
3. BACKSIDE METALLIZATION: GOLD.
4. BACKSIDE METAL IS GROUND.
5. BOND PAD METALLIZATION: GOLD.
6. CONNECTION NOT REQUIRED FOR UNLABELED BOND PADS.
7. OVERALL DIE SIZE ±.002"

**GaAs HEMT MMIC LOW NOISE AMPLIFIER, 27 - 33 GHz**

**Pad Descriptions**

| Pad Number | Function | Description   | Interface Schematic   |
|------------|----------|---|---|
| 1          | RFIN     | This pad is AC coupled and matched to 50 Ohms.  |  |
| 2          | RFOUT    | This pad is AC coupled and matched to 50 Ohms.  |  |
| 3          | Vdd      | Power Supply Voltage for the amplifier. See assembly for required external components.  |  |
| 4          | Vgg      | Gate control for amplifier. Please follow "MMIC Amplifier Biasing Procedure" application note. See assembly for required external components. |  |
| Die bottom | GND      | Die bottom must be connected to RF/DC ground.   |  |

**Assembly Diagram**



Note 1: Bypass caps should be 100 pF (approximately) ceramic (single-layer) placed no farther than 30 mils from the amplifier

Note 2: Best performance obtained from use of <10 mil (long) by 3 by 0.5mil ribbons on input and output.

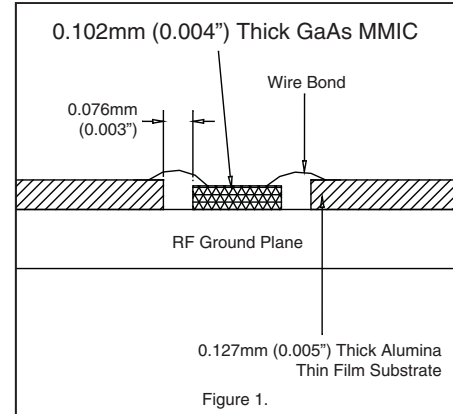
## GaAs HEMT MMIC LOW NOISE AMPLIFIER, 27 - 33 GHz

### Mounting & Bonding Techniques for Millimeterwave GaAs MMICs

The die should be attached directly to the ground plane eutectically or with conductive epoxy (see HMC general Handling, Mounting, Bonding Note).

50 Ohm Microstrip transmission lines on 0.127mm (5 mil) thick alumina thin film substrates are recommended for bringing RF to and from the chip (Figure 1). If 0.254mm (10 mil) thick alumina thin film substrates must be used, the die should be raised 0.150mm (6 mils) so that the surface of the die is coplanar with the surface of the substrate. One way to accomplish this is to attach the 0.102mm (4 mil) thick die to a 0.150mm (6 mil) thick molybdenum heat spreader (moly-tab) which is then attached to the ground plane (Figure 2).

Microstrip substrates should be placed as close to the die as possible in order to minimize bond wire length. Typical die-to-substrate spacing is 0.076mm to 0.152 mm (3 to 6 mils).



### Handling Precautions

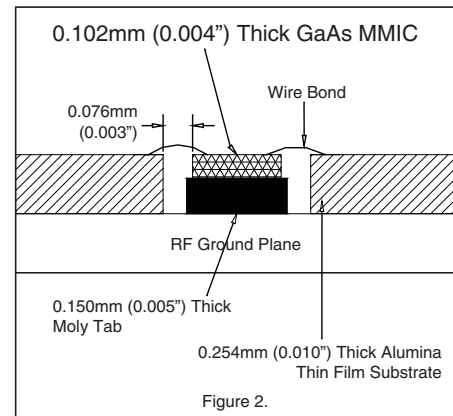
Follow these precautions to avoid permanent damage.

**Storage:** All bare die are placed in either Waffle or Gel based ESD protective containers, and then sealed in an ESD protective bag for shipment. Once the sealed ESD protective bag has been opened, all die should be stored in a dry nitrogen environment.

**Cleanliness:** Handle the chips in a clean environment. DO NOT attempt to clean the chip using liquid cleaning systems.

**Static Sensitivity:** Follow ESD precautions to protect against ESD strikes.

**Transients:** Suppress instrument and bias supply transients while bias is applied. Use shielded signal and bias cables to minimize inductive pick-up.



**General Handling:** Handle the chip along the edges with a vacuum collet or with a sharp pair of bent tweezers. The surface of the chip has fragile air bridges and should not be touched with vacuum collet, tweezers, or fingers.

### Mounting

The chip is back-metallized and can be die mounted with AuSn eutectic preforms or with electrically conductive epoxy. The mounting surface should be clean and flat.

**Eutectic Die Attach:** A 80/20 gold tin preform is recommended with a work surface temperature of 255 °C and a tool temperature of 265 °C. When hot 90/10 nitrogen/hydrogen gas is applied, tool tip temperature should be 290 °C. DO NOT expose the chip to a temperature greater than 320 °C for more than 20 seconds. No more than 3 seconds of scrubbing should be required for attachment.

**Epoxy Die Attach:** Apply a minimum amount of epoxy to the mounting surface so that a thin epoxy fillet is observed around the perimeter of the chip once it is placed into position. Cure epoxy per the manufacturer's schedule.

### Wire Bonding

RF bonds made with 0.003" x 0.0005" ribbon are recommended. These bonds should be thermosonically bonded with a force of 40-60 grams. DC bonds of 0.001" (0.025 mm) diameter, thermosonically bonded, are recommended. Ball bonds should be made with a force of 40-50 grams and wedge bonds at 18-22 grams. All bonds should be made with a nominal stage temperature of 150 °C. A minimum amount of ultrasonic energy should be applied to achieve reliable bonds. All bonds should be as short as possible, less than 12 mils (0.31 mm).