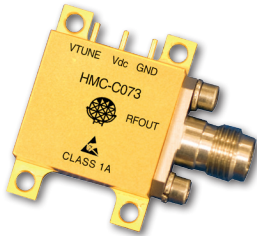


WIDEBAND VCO WITH BUFFER AMPLIFIER MODULE, 38.4 - 43.2 GHz

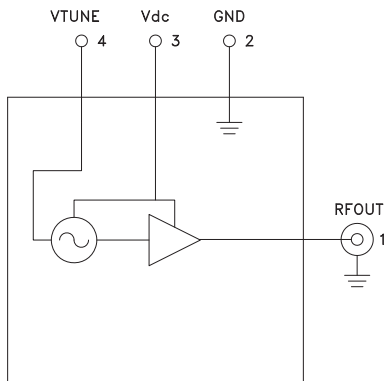


Typical Applications

The HMC-C073 VCO Module is ideal for:

- OC-768 Fiber Optic Systems
- Test and Measurement Equipment
- Lab Instrumentation
- Industrial/Medical Equipment
- Millimeterwave Subsystems

Functional Diagram



Features

- Wideband Tuning Frequency: 38.4 - 43.2 GHz
- High Output Power: +13 dBm
- High Output Voltage: 3.5V pp
- Low Phase Noise: -98 dBc/Hz @ 100 kHz Offset
- Low Jitter: 37 fs
- Single Positive Supply: +5V @ 350 mA
- Operating Temperature: -55°C to + 85°C
- Ultra-Small Hermetic Module
- Field Replaceable 2.4mm Connector

General Description

The HMC-C073 is a high performance VCO that operates over a 38.4 to 43.2 GHz band. An internal output buffer provides +13 dBm of output power and provides excellent frequency pulling performance. Phase noise is excellent at -98 dBc/Hz at 100 kHz offset and the unit provides exceptionally low jitter of 37 fs (calculated). The Vtune port accepts an analog tuning voltage from +2 to +13V. This robust VCO is housed in a very small hermetic module measuring 0.7" x 0.99" x 0.23". The module is supplied with a 2.4mm connector, which can be replaced by a GPO connector.

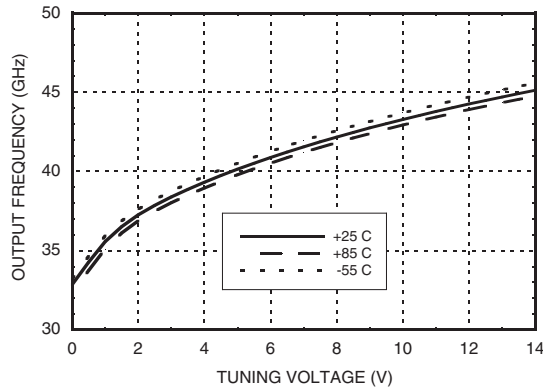
Electrical Specifications, $T_A = +25^\circ\text{C}$, $V_{dc} = +5\text{V}$

Parameter	Min.	Typ.	Max.	Units
Frequency Range	38.4 - 43.2			GHz
Power Output	10	13		dBm
SSB Phase Noise @ 10 kHz Offset		-74		dBc/Hz
SSB Phase Noise @ 100 kHz Offset		-98		dBc/Hz
Jitter (50 kHz to 80 MHz) (Calculated)		37		fs
Tune Voltage (Vtune)	2		13	V
Sub Harmonic (fo/4)		-40		dBc
Sub Harmonic (fo/2)		-30		dBc
Frequency Pushing		40		MHz/V
Frequency Pulling (into 2:0:1 Load)		5		kHz pp
Output Return Loss		17		dB
Voltage Supply (Vdc)	4.5	5	5.5	V
Supply Current		350	400	mA

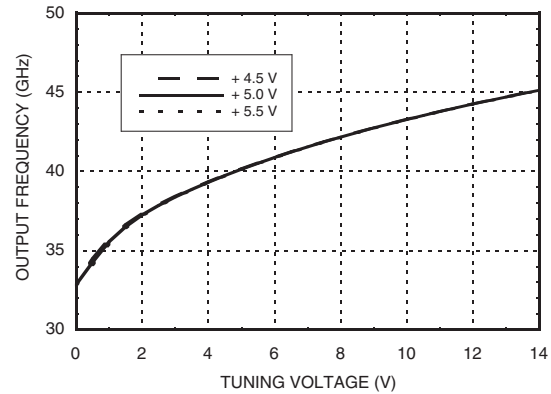
**WIDEBAND VCO WITH BUFFER AMPLIFIER
MODULE, 38.4 - 43.2 GHz**



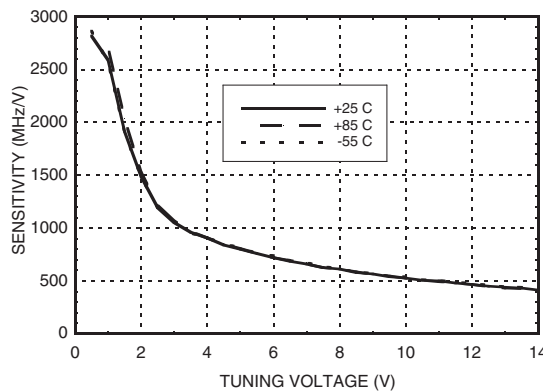
Frequency vs. Tuning Voltage, Vdc = +5V



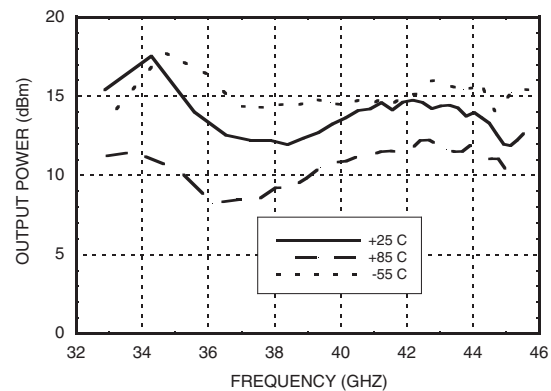
Frequency vs. Tuning Voltage, T = +25°C



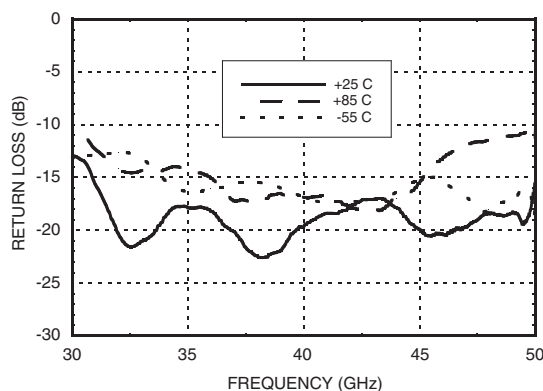
Sensitivity vs. Tuning Voltage, Vdc = +5V



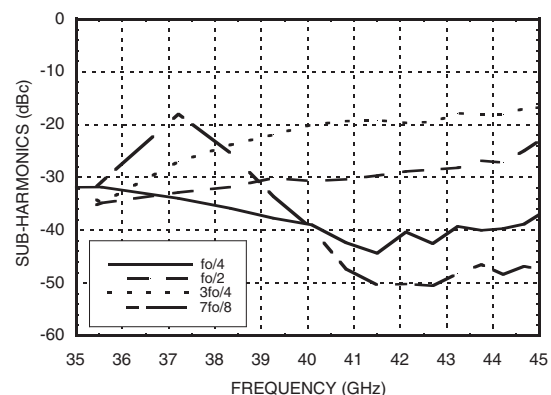
Output Power vs. Frequency, Vdc = +5V



Output Return Loss vs. Frequency, Vdc = +5V



Sub-Harmonics vs. Frequency, Vdc = +5V



Information furnished by Analog Devices is believed to be accurate and reliable. However, no responsibility is assumed by Analog Devices for its use, nor for any infringements of patents or other rights of third parties that may result from its use. Specifications subject to change without notice. No license is granted by implication or otherwise under any patent or patent rights of Analog Devices. Trademarks and registered trademarks are the property of their respective owners.

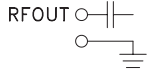
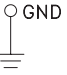
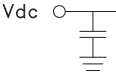
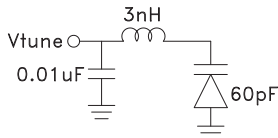
For price, delivery, and to place orders: Analog Devices, Inc., One Technology Way, P.O. Box 9106, Norwood, MA 02062-9106 Phone: 781-329-4700 • Order online at www.analog.com Application Support: Phone: 1-800-ANALOG-D

**WIDEBAND VCO WITH BUFFER AMPLIFIER
MODULE, 38.4 - 43.2 GHz**

Absolute Maximum Ratings

Vdc	+5.5V
Vtune	+15V
Storage Temperature	-65 to +150 °C
Operating Temperature	-55 to +85 °C
Max Junction Temperature	150 °C
Thermal Resistance	29 °C/W

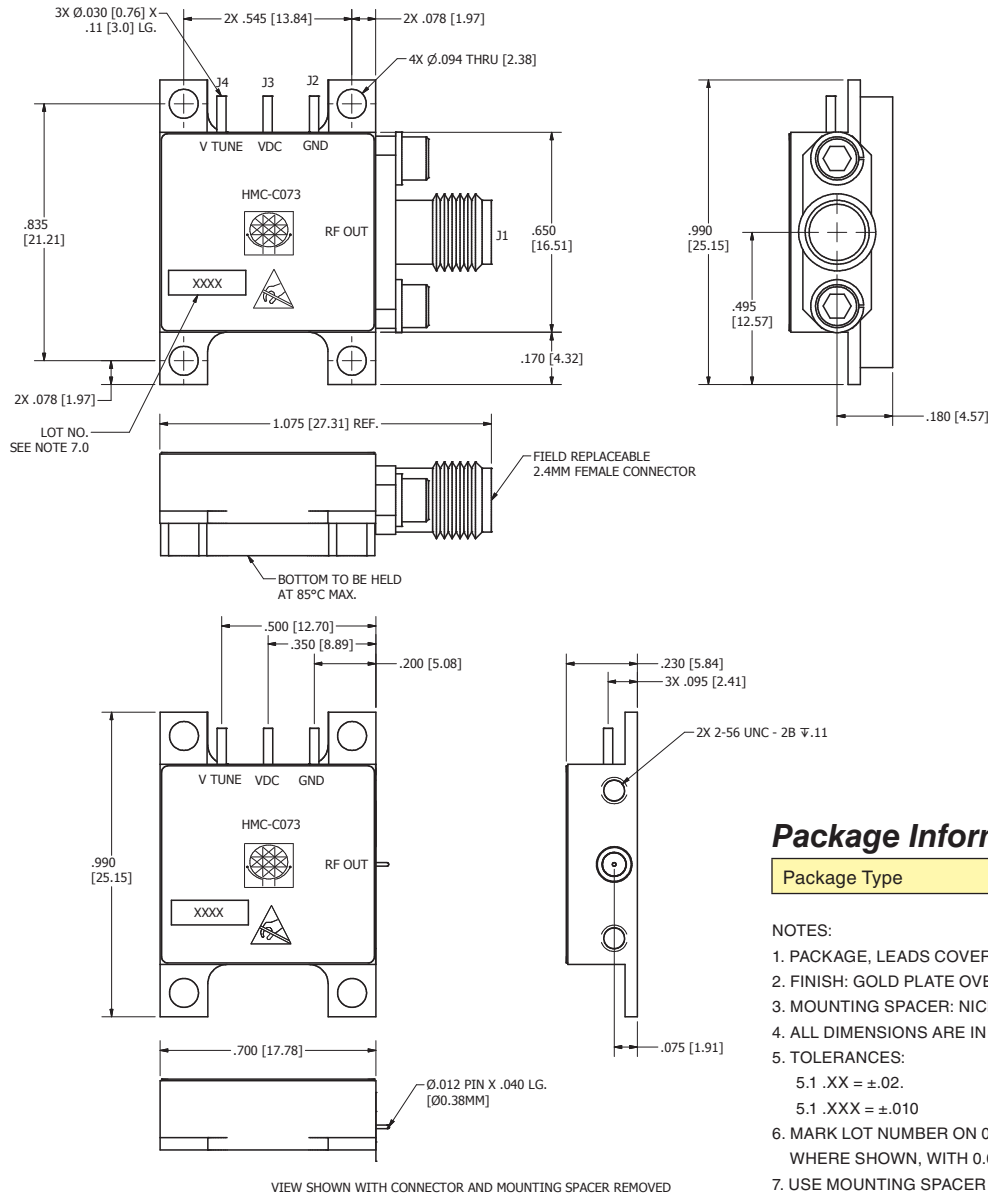
Pin Descriptions

Pin Number	Function	Description	Interface Schematic
1	RFOUT	RF output (AC coupled) uses a female 2.4mm connector.	
2	GND	Must be connected to power supply ground.	
3	Vdc	Supply Voltage Vdc = +4.5V to 5.5V	
4	VTUNE	2 to +13V	

**WIDEBAND VCO WITH BUFFER AMPLIFIER
MODULE, 38.4 - 43.2 GHz**



Outline Drawing



Package Information

Package Type	C-19
--------------	------

NOTES:

1. PACKAGE, LEADS COVER MATERIAL: KOVAR
2. FINISH: GOLD PLATE OVER NICKEL PLATE.
3. MOUNTING SPACER: NICKEL PLATED ALUMINUM.
4. ALL DIMENSIONS ARE IN INCHES [MILLIMETERS].
5. TOLERANCES:
 - 5.1 .XX = \pm .02.
 - 5.1 .XXX = \pm .010
6. MARK LOT NUMBER ON 0.080 X 0.250 LABEL WHERE SHOWN, WITH 0.030 MIN. TEXT HEIGHT.
7. USE MOUNTING SPACER PART NUMBER 123399.