



ULTRA LOW PHASE NOISE AMPLIFIER MODULE, 1.5 - 5 GHz



Features

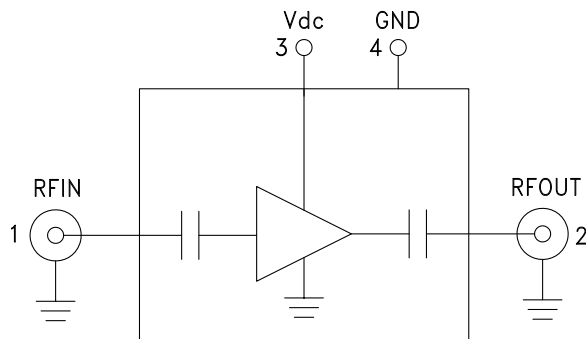
- Ultra Low Phase Noise: -163 dBc/Hz @ 1 kHz
- Gain: 14 dB
- Output Power: +22 dBm
- Single Supply Voltage: +7V @ 170mA
- Hermetically Sealed Module
- 55 °C to +85 °C Operating Temperature

Typical Applications

The HMC-C077 is ideal for:

- Microwave Radio
- Military & Space
- Test Instrumentation
- VSAT

Functional Diagram



General Description

The HMC-C077 is a GaAs HBT Ultra Low Noise Amplifier in a miniature, hermetic module designed to operate between 1.5 and 5 GHz. This high dynamic range amplifier module provides 14 dB of gain, 4.5 dB noise figure and up to +22 dBm of output power with a single supply of +7V. The ultra low phase noise contribution of -163 dBc/Hz at 1 kHz offset, enables superior modulation accuracy within transceiver architectures. The wideband distributed amplifier I/O's are internally matched to 50 Ohms and DC blocked for robust performance. The module features removable SMA connectors which can be detached to allow direct connection of the I/O pins to a microstrip or coplanar circuit.

Electrical Specifications, $T_A = +25\text{ }^\circ\text{C}$, $V_{dc} = +7V$

Parameter	Min.	Typ.	Max.	Min.	Typ.	Max.	Units
Frequency Range	1.5 - 5			2 - 4			GHz
Gain	9	14		11	14		dB
Gain Flatness		±3.5			±1.5		dB
Gain Variation Over Temperature		0.01			0.01		dB/ °C
Noise Figure		4.5			4		dB
Input Return Loss		19			19		dB
Output Return Loss		15			15		dB
Output Power for 1 dB Compression (P1dB)	15	17		15	17		dBm
Output Power			22			22	dBm
Output Third Order Intercept (IP3)		27			27		dBm
Phase Noise @ 1 kHz, Pout = +22 dBm		-163			-163		dBc/Hz
Phase Noise @ 10 kHz, Pout = +22 dBm		-171			-171		dBc/Hz
Phase Noise @ 100 kHz, Pout = +22 dBm		-175			-175		dBc/Hz
Supply Current (all conditions)		170	240		170	240	mA

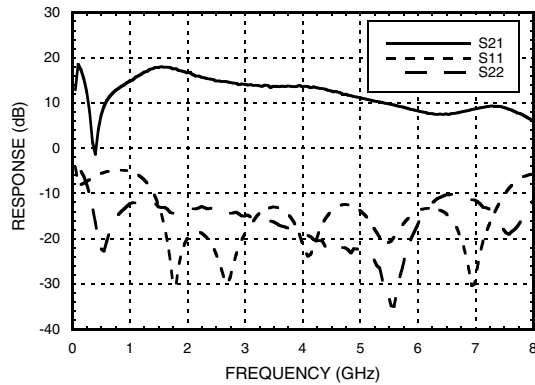
Information furnished by Analog Devices is believed to be accurate and reliable. However, no responsibility is assumed by Analog Devices for its use, nor for any infringements of patents or other rights of third parties that may result from its use. Specifications subject to change without notice. No license is granted by implication or otherwise under any patent or patent rights of Analog Devices. Trademarks and registered trademarks are the property of their respective owners.

For price, delivery, and to place orders: Analog Devices, Inc., One Technology Way, P.O. Box 9106, Norwood, MA 02062-9106
Phone: 781-329-4700 • Order online at www.analog.com
Application Support: Phone: 1-800-ANALOG-D

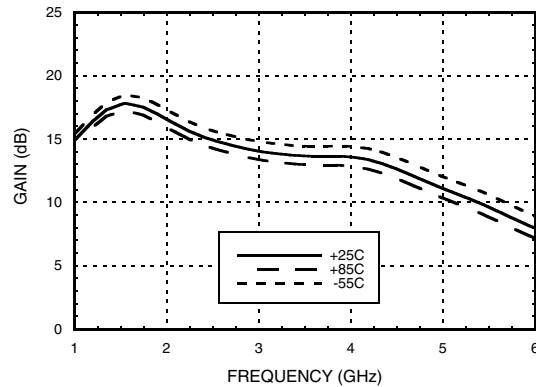


**ULTRA LOW PHASE NOISE
AMPLIFIER MODULE, 1.5 - 5 GHz**

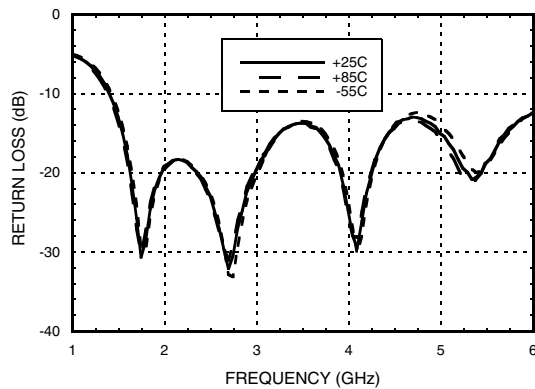
Gain & Return Loss



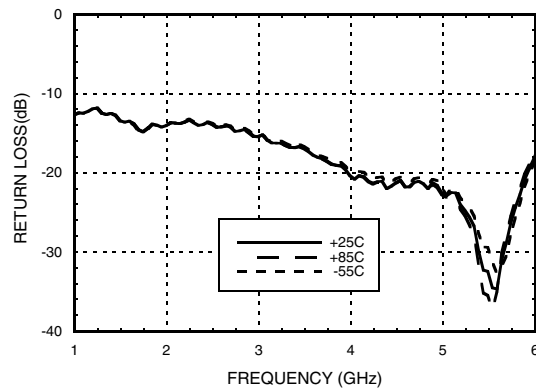
Gain vs. Temperature



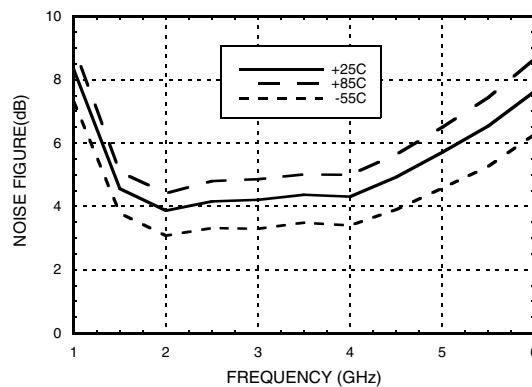
Input Return Loss vs. Temperature



Output Return Loss vs. Temperature



Noise Figure vs. Temperature



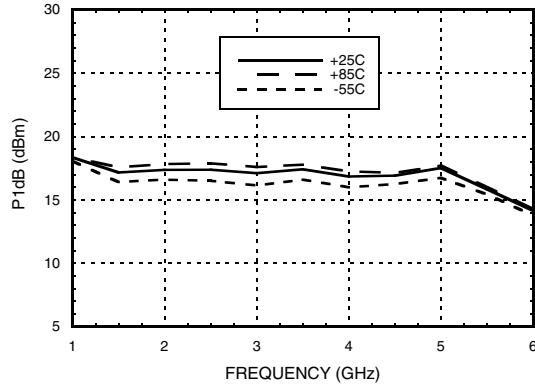
Information furnished by Analog Devices is believed to be accurate and reliable. However, no responsibility is assumed by Analog Devices for its use, nor for any infringements of patents or other rights of third parties that may result from its use. Specifications subject to change without notice. No license is granted by implication or otherwise under any patent or patent rights of Analog Devices. Trademarks and registered trademarks are the property of their respective owners.

For price, delivery, and to place orders: Analog Devices, Inc., One Technology Way, P.O. Box 9106, Norwood, MA 02062-9106 Phone: 781-329-4700 • Order online at www.analog.com Application Support: Phone: 1-800-ANALOG-D

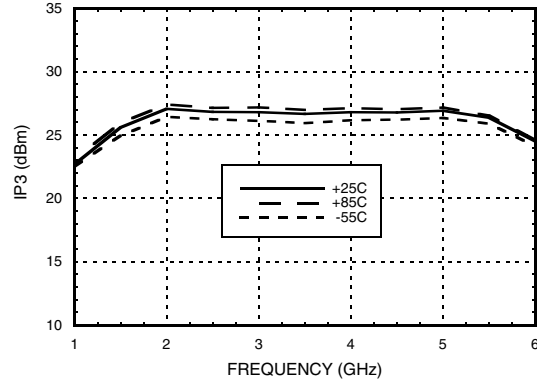


ULTRA LOW PHASE NOISE AMPLIFIER MODULE, 1.5 - 5 GHz

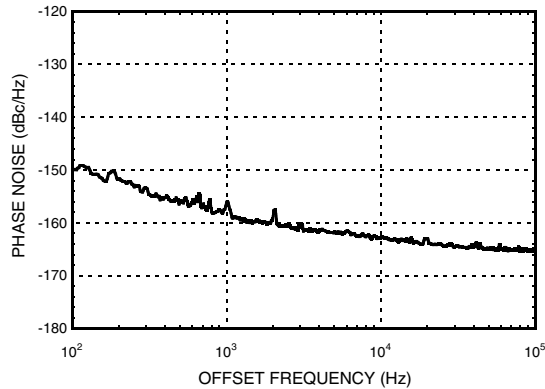
Output P1dB vs. Temperature



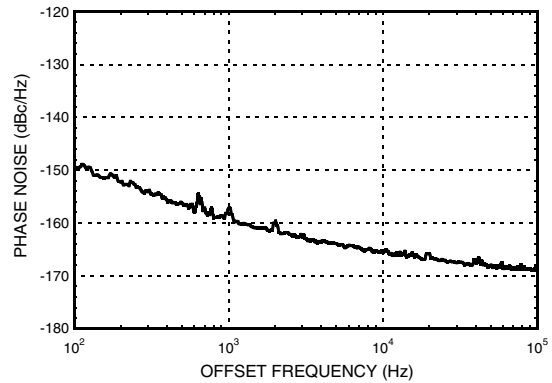
Output IP3 vs. Temperature



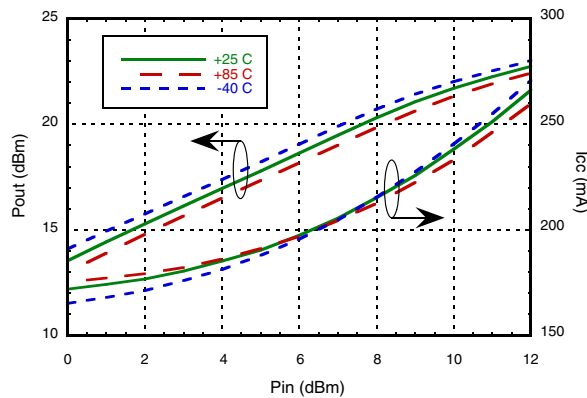
Phase Noise at Pout = +10 dBm @ 3 GHz



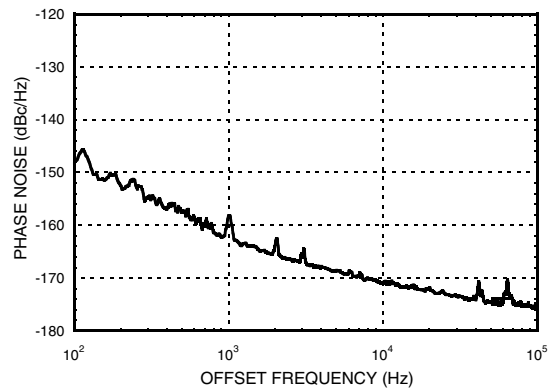
Phase Noise at Pout = P1dB @ 3 GHz



Pout & Icc vs. Temperature



Phase Noise at Pout = +22 dBm @ 3 GHz



Information furnished by Analog Devices is believed to be accurate and reliable. However, no responsibility is assumed by Analog Devices for its use, nor for any infringements of patents or other rights of third parties that may result from its use. Specifications subject to change without notice. No license is granted by implication or otherwise under any patent or patent rights of Analog Devices. Trademarks and registered trademarks are the property of their respective owners.

For price, delivery, and to place orders: Analog Devices, Inc., One Technology Way, P.O. Box 9106, Norwood, MA 02062-9106 Phone: 781-329-4700 • Order online at www.analog.com Application Support: Phone: 1-800-ANALOG-D

ULTRA LOW PHASE NOISE AMPLIFIER MODULE, 1.5 - 5 GHz



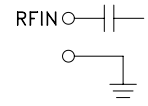
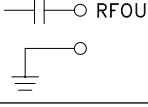
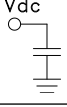
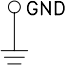
Absolute Maximum Ratings

Bias Supply Voltage (Vdc)	+9V
RF Output Power (RFOUT)	+22 dBm
RF Input Power (RFIN)	+15 dBm
Continuous P _{diss} (T = 85 °C)	1.6W
Storage Temperature	-65 to +150 °C
Operating Temperature	-55 to +85 °C
ESD Sensitivity (HBM)	Class 1A



ELECTROSTATIC SENSITIVE DEVICE
OBSERVE HANDLING PRECAUTIONS

Pin Descriptions

Pin Number	Function	Description	Interface Schematic
1	RFIN & RF Ground	RF input connector, coaxial female, field replaceable. This pin is AC coupled and matched to 50 Ohms.	
2	RFOUT & RF Ground	RF output connector, coaxial female, field replaceable. This pin is AC coupled and matched to 50 Ohms.	
3	Vdc	Power supply voltage for the amplifier. (+7V to +9V)	
4	GND	Power supply ground.	

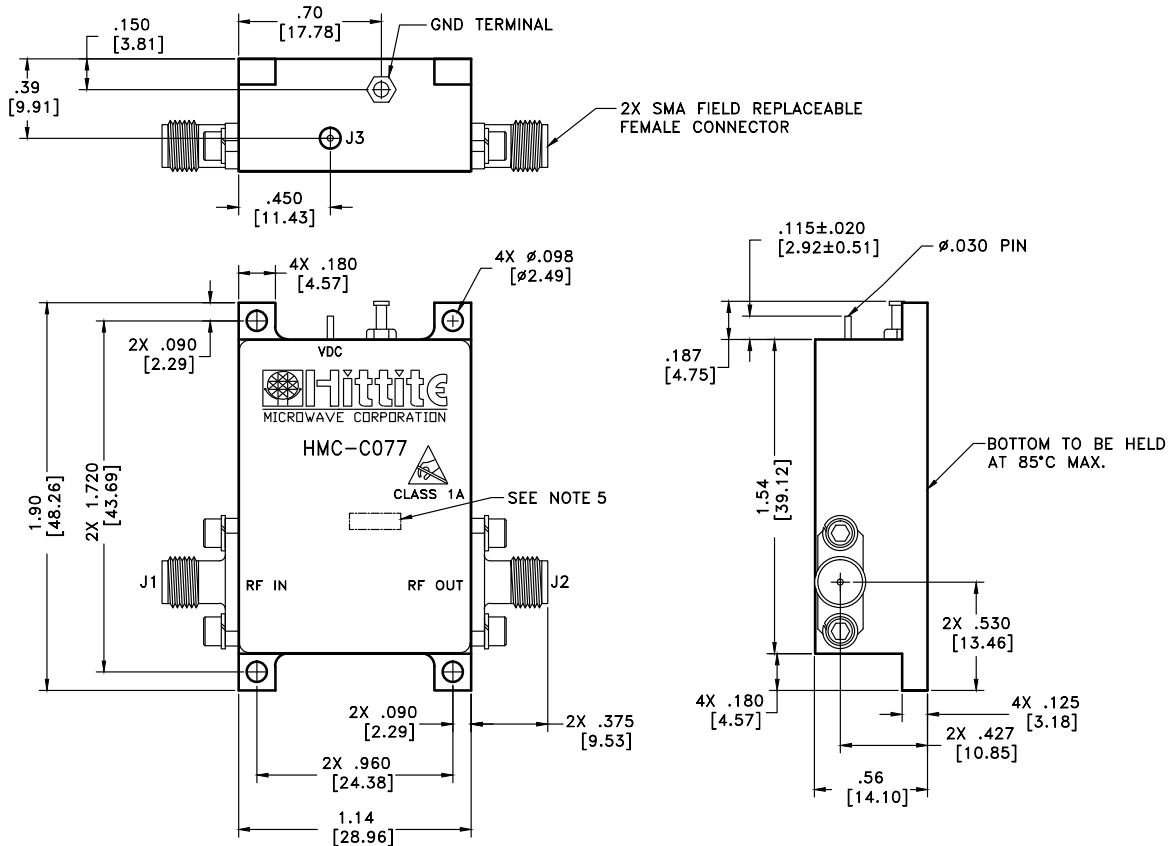


**ULTRA LOW PHASE NOISE
AMPLIFIER MODULE, 1.5 - 5 GHz**

1

AMPLIFIERS

Outline Drawing



Package Information

Package Type	C-16
Package Weight	107 gms [1]

[1] ±1 gms Tolerance

NOTES:

1. PACKAGE, LEADS, COVER MATERIAL: KOVAR™
2. FINISH: GOLD PLATE OVER NICKEL PLATE.
3. ALL DIMENSIONS ARE IN INCHES [MILLIMETERS].
4. TOLERANCES:
 - 4.1 .XX = ±.02
 - 4.2 .XXX = ±.010
5. MARK LOT NUMBER ON 0.080 X 0.250 LABEL WHERE SHOWN, WITH 0.030" MIN TEXT HEIGHT.

Information furnished by Analog Devices is believed to be accurate and reliable. However, no responsibility is assumed by Analog Devices for its use, nor for any infringements of patents or other rights of third parties that may result from its use. Specifications subject to change without notice. No license is granted by implication or otherwise under any patent or patent rights of Analog Devices. Trademarks and registered trademarks are the property of their respective owners.

For price, delivery, and to place orders: Analog Devices, Inc., One Technology Way, P.O. Box 9106, Norwood, MA 02062-9106 Phone: 781-329-4700 • Order online at www.analog.com Application Support: Phone: 1-800-ANALOG-D

**ULTRA LOW PHASE NOISE
AMPLIFIER MODULE, 1.5 - 5 GHz****Notes:**