



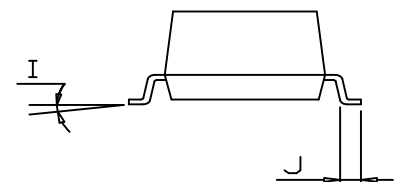
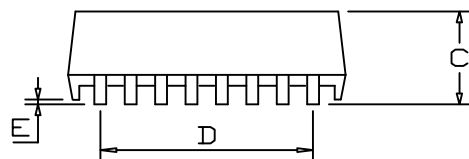
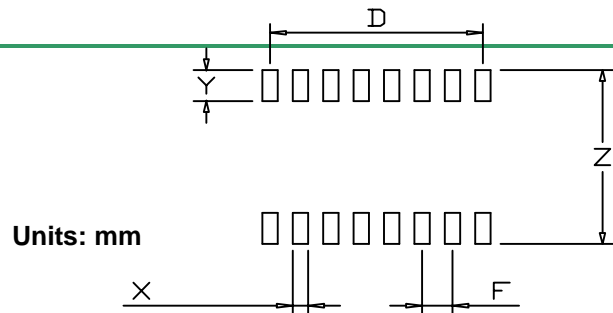
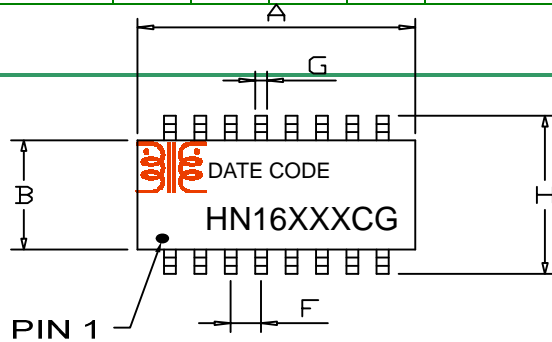
Features

- IEEE 802.3 Ethernet Compatible, 10/100 Base-TX
- Surface Mountable (Miniature size)
- Product Type: Green Product

Electrical Specifications @25

Rise Time & Fall Time @5.0ns(Max), Isolation Hi-pot:1500Vrms(pri/sec), Pri.OCL:Tx&Rx:350μH min @Idc=8mA										
Part No.	Insertion Loss (dB Max)	Return Loss (dB Min)				Cross Talk (dB Min)	DCMR (dB Min)	CWW (pF typ)	Pri. Resistance (Ω Max)	Turn Ratio Tx/Rx (±5%)
		1-100	0.5-30	40	60					
	MHz	MHz				MHz	MHz	Tx&Rx	MHz	
HN16012CG	-1.1	-18	-15	-13	-11	-35	-30	15	0.9	1CT:1CT / 1CT:1CT
HN16015CG	-1.0	-18	-17	-14.5	-12	-35	-30	15	0.9	1CT:1CT / 1CT:1CT
HN16016CG	-1.1	-18	-16	-13	-12	-35	-30	15	0.9	1CT:1CT / 1CT:1CT
HN16017CG	-1.0	-18	-17	-14.5	-12	-32	-35	15	0.9	1CT:1CT / 1CT:1CT
HN16018CG	-1.1	-18	-14.5	-13.1	-12	-35	-35	25	0.9	1CT:1CT / 1CT:1CT
HN16021CG	-1.1	-18	-15.5	-12	-12	-35	-35	25	0.9	1CT:1CT / 1CT:1CT
HN16516CG	-1.1	-18	-15	-14	-12	-35	-30	15	0.9	1CT:1CT / 1CT:1CT
HN16517CG	-1.1	-18	-17	-15	-12	-35	-40	15	0.9	1CT:1CT / 1CT:1CT
HN16612CG	-1.1	-18	-15	-13	-11	-35	-30	50	0.9	1CT:1CT / 1CT:1CT
HN16613CG	-1.1	-18	-15	-13	-11	-35	-30	50	0.9	1CT:1CT / 1CT:1CT
HN16614CG	-1.1	-18	-15	-13	-11	-35	-30	50	0.9	1CT:1CT / 1CT:1CT
HN16615CG	-1.1	-18	-15	-13	-11	-35	-30	50	0.9	1CT:1CT / 1CT:1CT

Dimension



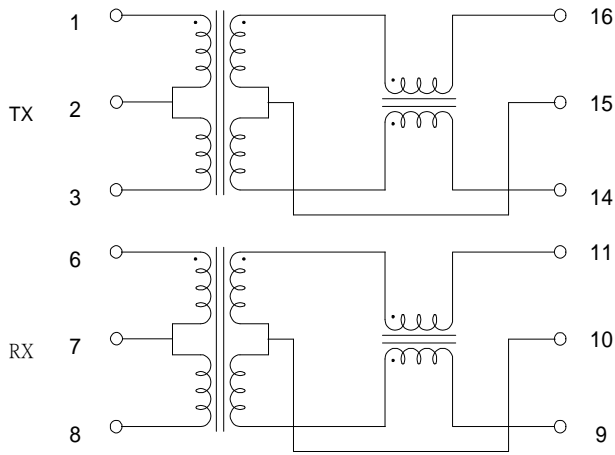
DIM	MILLIMETERS		INCHES	
	MIN	MAX	MIN	MAX
A	11.35	11.85	0.447	0.467
B	6.65	7.15	0.262	0.281
C	6.20(max)		0.244(max)	
D	8.89(typical)		0.350(typical)	
E	0.15	0.45	0.006	0.018
F	1.27(typical)		0.050(typical)	

DIM	MILLIMETERS		INCHES	
	MIN	MAX	MIN	MAX
G	0.46(typical)		0.018(typical)	
H	9.25	9.85	0.364	0.388
I	0°	8°	0°	8°
J	0.45	0.95	0.018	0.037
X	0.76(typical)		0.024(typical)	
Y	2.03(typical)		0.074(typical)	
Z	10.67(typical)		0.420(typical)	

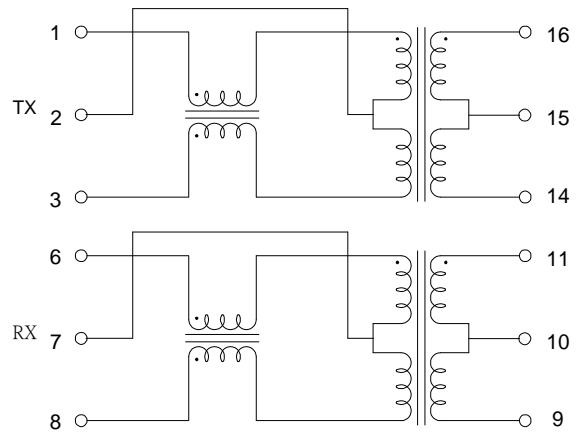


Schematic

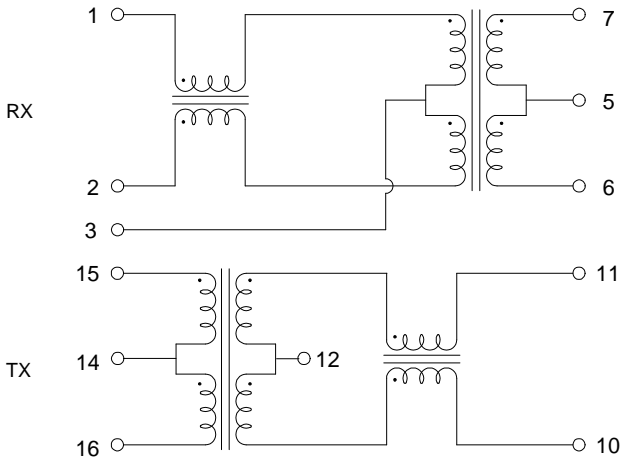
HN16012CG



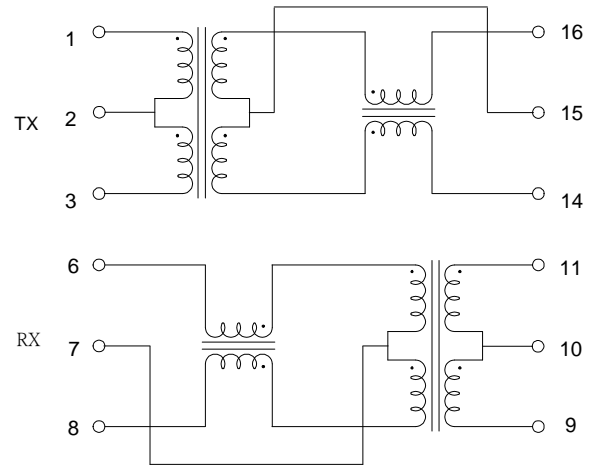
HN16015CG



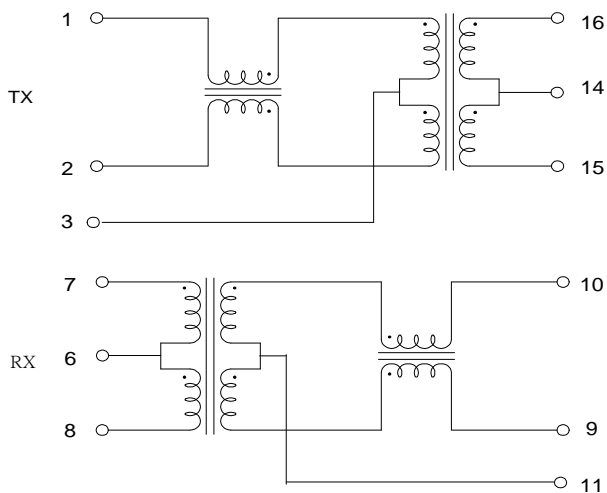
HN16016CG



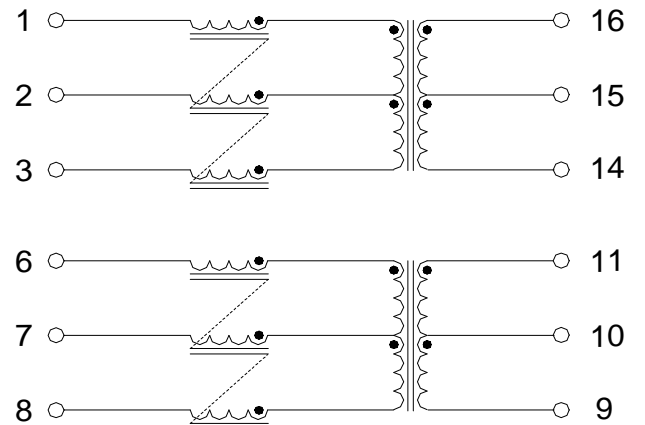
HN16017CG



HN16018CG



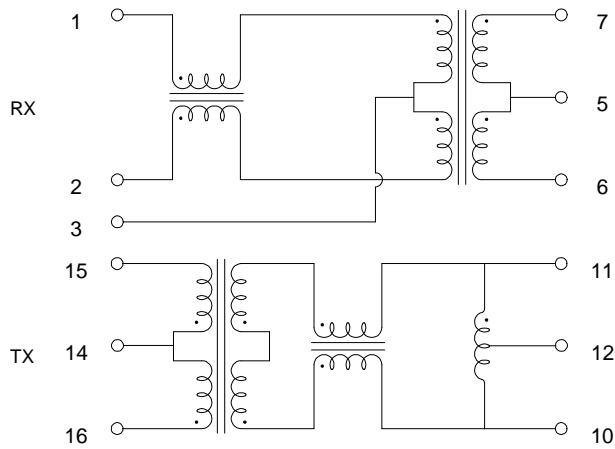
HN16021CG



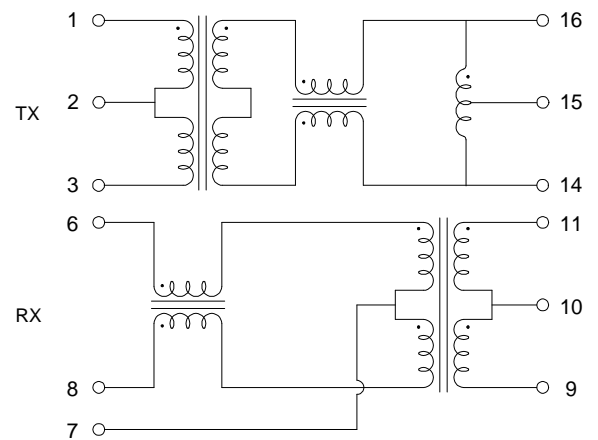


Schematic

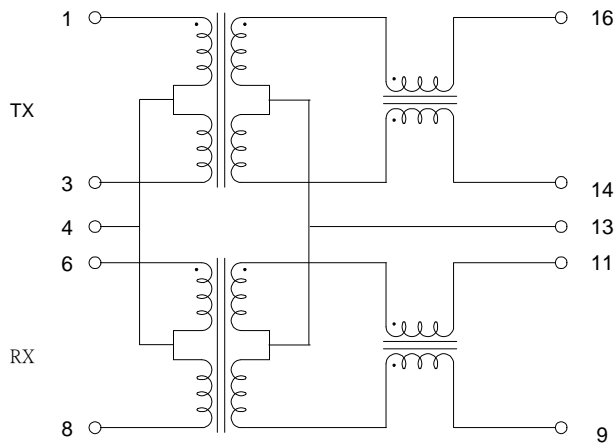
HN16516CG



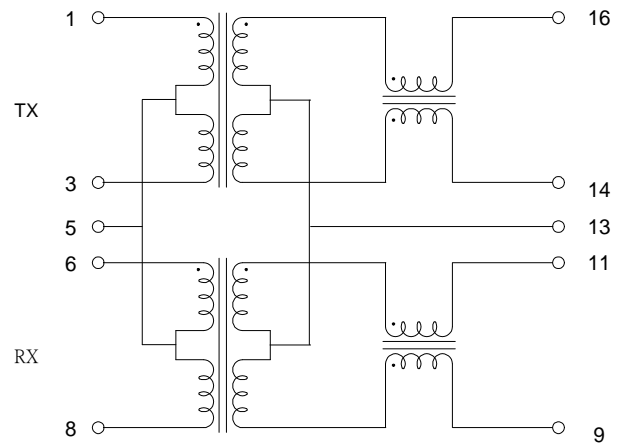
HN16517CG



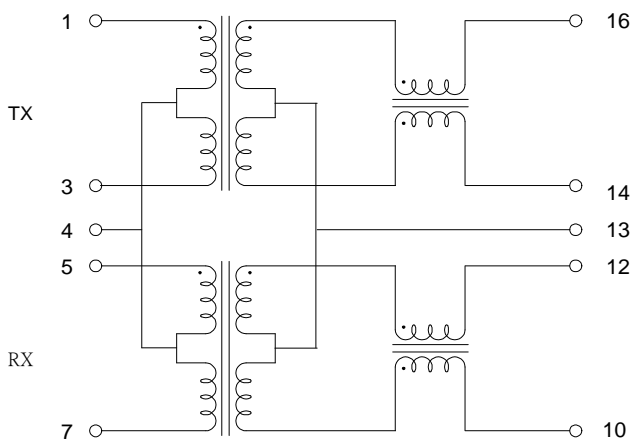
HN16612CG



HN16613CG



HN16614CG



HN16615CG

