



Features

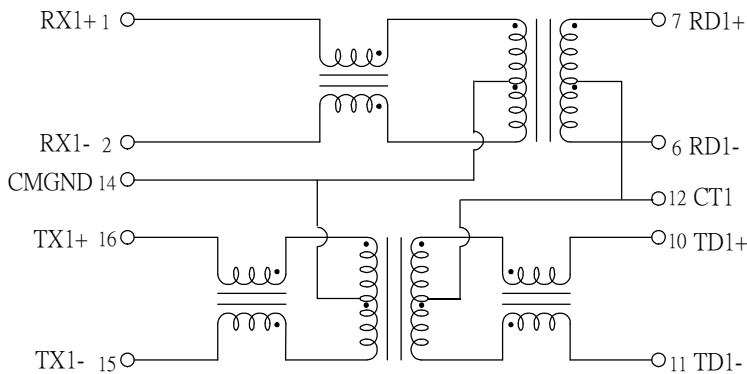
- IEEE 802.3u and ANSIX3.263 standards including 350µH OCL with 8mA bias
- Symmetrical TX and RX channels for auto MDI/MDIX capability
- Product Type: Green Product

Electrical Specifications @25

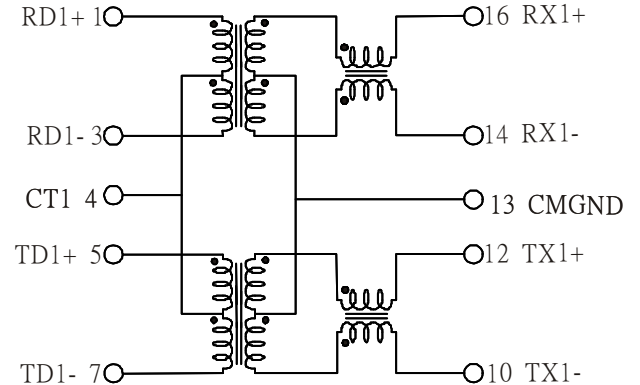
Rise Time & Fall Time @5.0ns(Max), Isolation Hi-pot:1500Vrms(pri/sec), Pri.OCL:Tx&Rx:350µH min @Idc=8mA										
Part No.	Insertion Loss (dB Max)	Return Loss (dB Min)				Cross Talk (dB Min)	DCMR (dB Min)	CWW (pF typ)	Pri. Resistance (Ω Max)	Turn Ratio Tx/Rx (±5%)
		1-100	0.5-30	40	50					
	MHz	MHz				MHz	MHz		MHz	
HN1629CG	-1.0	-16	-14	-13.1	-12	-35	-30	50	0.9	1CT:1CT / 1CT:1CT
HN1664CG	-1.1	-18	-15	-13	-11	-38	-40	50	0.9	1CT:1CT / 1CT:1CT
HN1666CG	-1.1	-16	-15	-13	-11	-38	-40	50	0.9	1CT:1CT / 1CT:1CT
HN1667CG	-1.1	-18	-15	-13	-11	-38	-40	50	0.9	1CT:1CT / 1CT:1CT
HN1674CG	-1.1	-18	-15	-13	-11	-38	-40	50	0.9	1CT:1CT / 1CT:1CT

Schematic

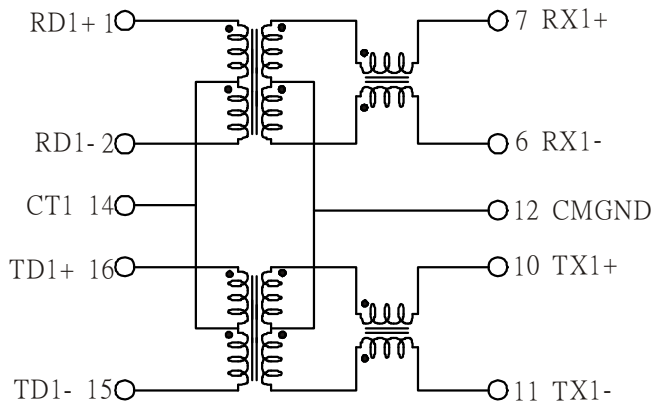
HN1629CG



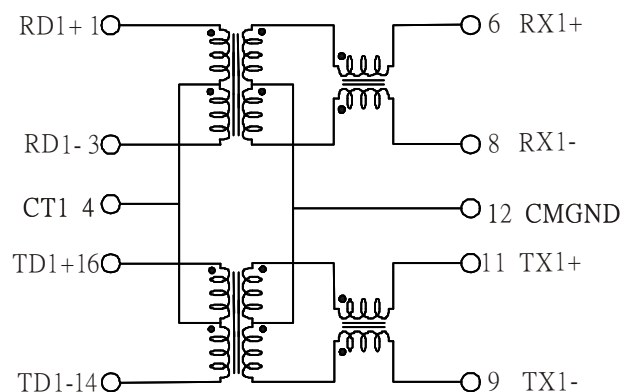
HN1664CG



HN1666CG



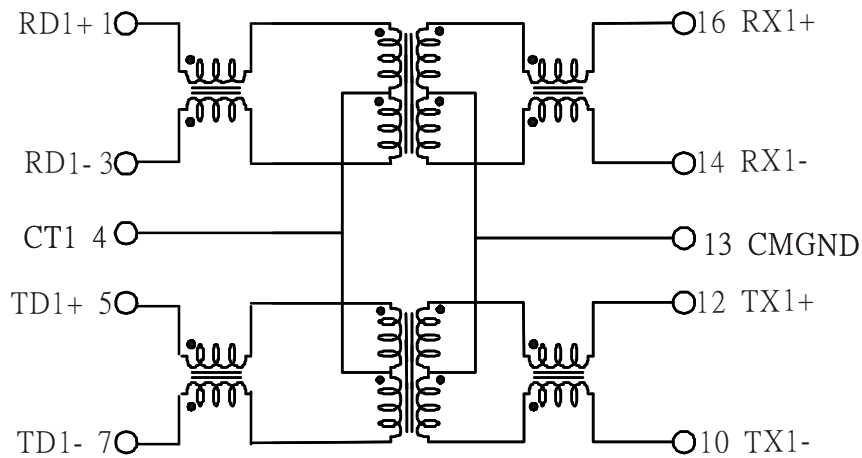
HN1667CG





Schematic

HN1674CG



Dimension

