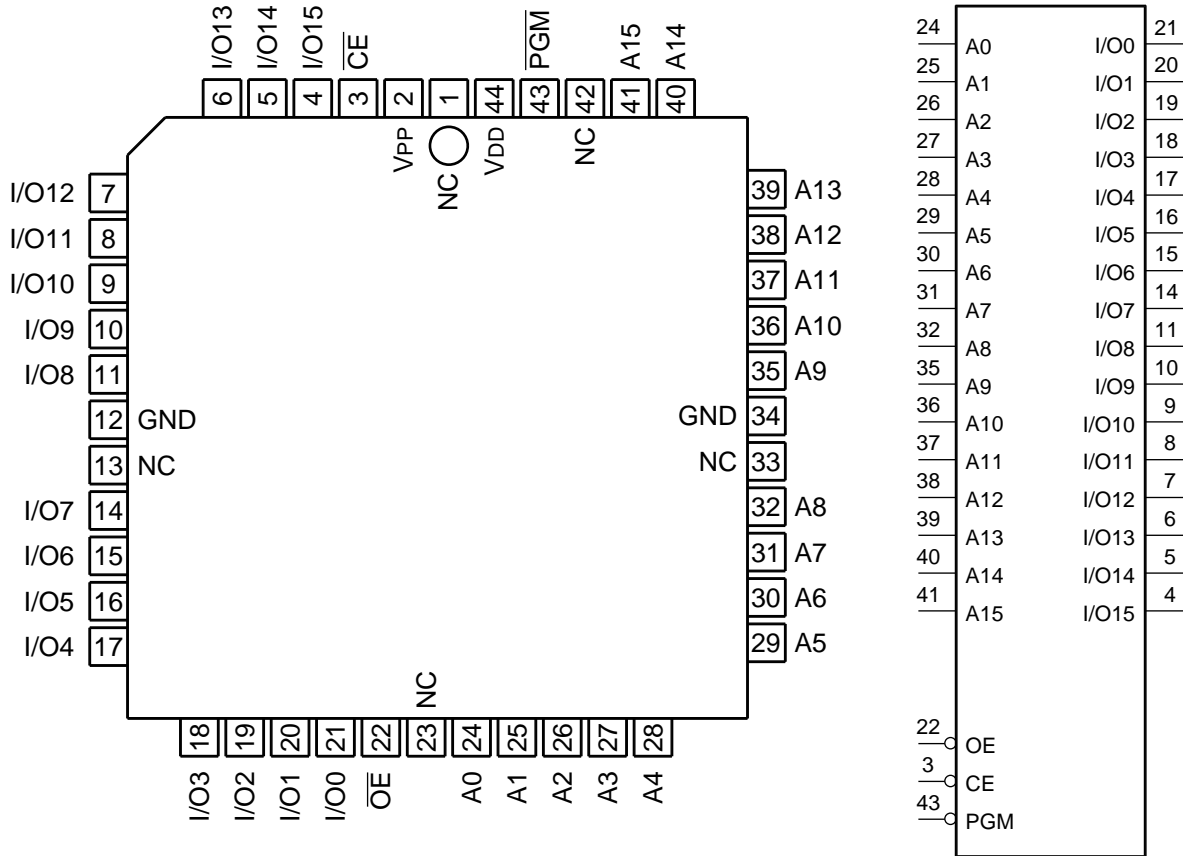


C-MOS 1M (65,536 × 16)-BIT EPROM

—TOP VIEW—



- A0 - A15 ; ADDRESS INPUT
- $\overline{CE}$  ; CHIP ENABLE
- $\overline{OE}$  ; OUTPUT ENABLE
- PGM ; PROGRAM ENABLE
- I/O0 - I/O15 ; DATA INPUTS/OUTPUTS

