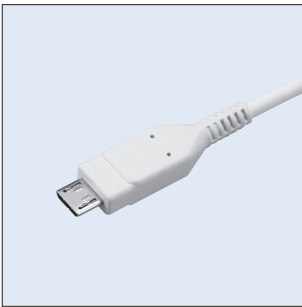
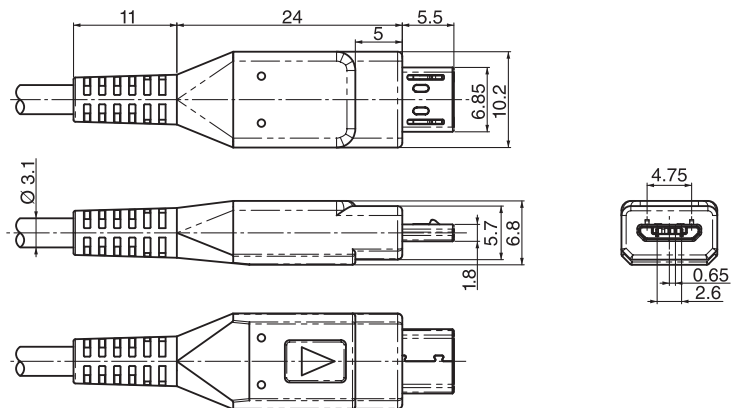


**HPC1567**

**Micro-USB Plug**



**HPC1567-010110**



Rated	① 1.8A 5V DC (Power Line) ② 1.8A 9V DC (Power Line) ③ 1.35A 12V DC (Power Line)
Contact Resistance	30mΩ max.
Insulation Resistance	1000MΩ min. at 100V DC
Withstanding Voltage	100V AC for 1 minute
Insertion & Withdrawal force	Insertion 35N max. Withdrawal 6N min.

\*with Thermosensor