



Silicon N-Channel Power MOSFET



HPU650R650PC-G

General Description:

HPU650R650PC-G, the silicon N-channel Enhanced MOSFETs, is obtained by the super junction technology which reduces the conduction loss, improve switching performance and enhance the avalanche energy. The transistor can be used in various power switching circuit for system miniaturization and higher efficiency. The package type is TO-251, which accords with the RoHS standard.

Features:

- l Fast Switching
- l Low Gate Charge
- l Low Reverse transfer capacitances
- l 100% Single Pulse avalanche energy Test
- l Halogen Free

Applications:

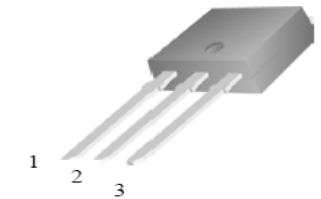
Power switch circuit of adaptor and charger.

Absolute ($T_j = 25^\circ\text{C}$ unless otherwise specified):

Symbol	Parameter	Rating	Units
V_{DSS}	Drain-to-Source Voltage($V_{GS}=0V$)	650	V
I_D^{a1}	Continuous Drain Current $T_C = 25^\circ\text{C}$	8	A
I_{DM}^{a2}	Pulsed Drain Current $T_C = 25^\circ\text{C}$	24	A
V_{GSS}	Gate-to-Source Voltage	± 30	V
E_{AS}^{a3}	Single Pulse Avalanche Energy	150	mJ
dv/dt^{a4}	Peak Diode Recovery dv/dt	15	V/ns
dv/dt	MOSFET dv/dt ruggedness	50	V/ns
di_f/dt	Maximum diode communication speed	500	A/us
P_D	Power Dissipation($T_C=25^\circ\text{C}$)	95	W
T_J, T_{stg}	Operating and Storage Temperature Range	$-55 \dots +150$	$^\circ\text{C}$
T_L	Maximum Temperature for Soldering	300	$^\circ\text{C}$

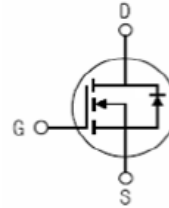
$V_{DSS}(T_{jmax})$	700	V
I_D	8	A
$P_D(T_C=25^\circ\text{C})$	95	W
$R_{DS(ON)Typ}$	0.55	Ω
$E_{oss@400V}$	1.2	μJ

TO-251



1.Gate 2.Drain 3.Source

Inner Equivalent Principium Chart



Electrical Characteristics (T_j= 25°C unless otherwise specified):

OFF Characteristics						
Symbol	Parameter	Test Conditions	Rating			Units
			Min.	Typ.	Max.	
V _{DSS}	Drain to Source Breakdown Voltage	V _{GS} =0V, I _D =250μA	650	--	--	V
ΔBV _{DSS} /ΔT _J	Bvdss Temperature Coefficient	ID=250uA	--	0.70	--	V/°C
I _{DSS}	Drain to Source Leakage Current	V _{DS} = 650V, V _{GS} = 0V, T _j = 25°C	--	--	1	μA
		V _{DS} =520V, V _{GS} = 0V, T _j = 125°C	--	--	100	
I _{GSS(F)}	Gate to Source Forward Leakage	V _{GS} =+30V V _{DS} = 0V,	--	--	100	nA
I _{GSS(R)}	Gate to Source Reverse Leakage	V _{GS} =-30V V _{DS} = 0V,	--	--	-100	nA

ON Characteristics						
Symbol	Parameter	Test Conditions	Rating			Units
			Min.	Typ.	Max.	
R _{DS(ON)}	Drain-to-Source On-Resistance	V _{GS} =10V,I _D =2.4A	--	0.55	0.60	Ω
V _{GS(TH)}	Gate Threshold Voltage	V _{DS} = V _{GS} , I _D = 250μA	2.0	--	4.0	V
Pulse width tp ≤ 300μs, δ ≤ 2%						

Dynamic Characteristics						
Symbol	Parameter	Test Conditions	Rating			Units
			Min.	Typ.	Max.	
R _g	Gate resistance	f = 1.0MHz	--	12.8	--	Ω
C _{iss}	Input Capacitance	V _{GS} = 0V V _{DS} = 100V f = 1.0MHz	--	486	--	pF
C _{oss}	Output Capacitance		--	30	--	
C _{rss}	Reverse Transfer Capacitance		--	1.4	--	

Resistive Switching Characteristics						
Symbol	Parameter	Test Conditions	Rating			Units
			Min.	Typ.	Max.	
t _{d(ON)}	Turn-on Delay Time	I _D =3A V _{DD} = 400V V _{GS} = 13V R _G =6.8Ω	--	9.0	--	ns
t _r	Rise Time		--	6.2	--	
t _{d(OFF)}	Turn-Off Delay Time		--	41	--	
t _f	Fall Time		--	30	--	
Q _g	Total Gate Charge	I _D =3 A V _{DD} =400V V _{GS} = 10V	--	15	--	nC
Q _{gs}	Gate to Source Charge		--	2.5	--	
Q _{gd}	Gate to Drain ("Miller")Charge		--	7.6	--	
V _{plateau}	Gate Plateau Voltage		--	4.7	--	



Source-Drain Diode Characteristics						
Symbol	Parameter	Test Conditions	Rating			Units
			Min.	Typ.	Max.	
I_S	Continuous Source Current (Body Diode)	$T_c=25^\circ\text{C}$	--	--	8	A
I_{SM}	Maximum Pulsed Current (Body Diode)		--	--	24	A
V_{SD}	Diode Forward Voltage	$I_S=4\text{A}, V_{GS}=0\text{V}$	--	--	1.2	V
T_{rr}	Reverse Recovery Time	$I_S=3\text{A}, T_j = 25^\circ\text{C}$ $dI_F/dt=100\text{A}/\mu\text{s},$ $V_{GS}=0\text{V}$	--	196	--	ns
Q_{rr}	Reverse Recovery Charge		--	1640	--	nC
I_{rrm}	Reverse Recovery Current		--	16.7	--	A

Thermal Resistance

Symbol	Parameter	Max.	Units
$R_{\theta JC}$	Junction-to-Case	1.32	$^\circ\text{C}/\text{W}$
$R_{\theta JA}$	Junction-to-Ambient	100	$^\circ\text{C}/\text{W}$

- a¹: Limited by Tjmax Maximum duty cycle D=0.75
- a²: Repetitive rating; pulse width limited by maximum junction temperature
- a³: L=20.0mH, Rg=25 Ω, Vdd=50V, Start Tj=25°C
- a⁴: Identical low side and high side switch with identical Rg

Characteristics Curve:

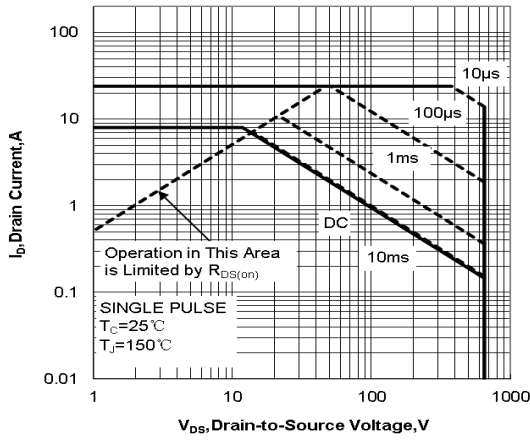


Figure.1 Maximum Forward Bias Safe Operating Area

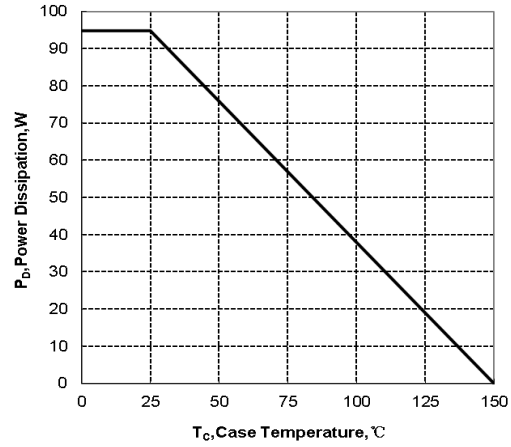


Figure.2 Maximum Power Dissipation vs Case Temperature

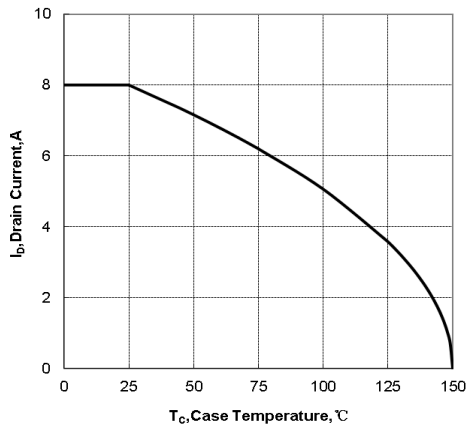


Figure.3 Maximum Continuous Drain Current vs Case Temperature

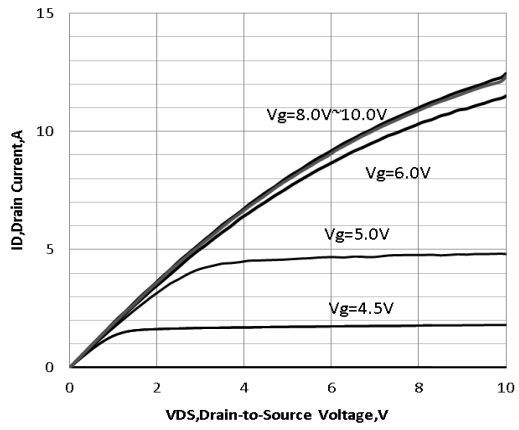


Figure.4 Typical Output Characteristics

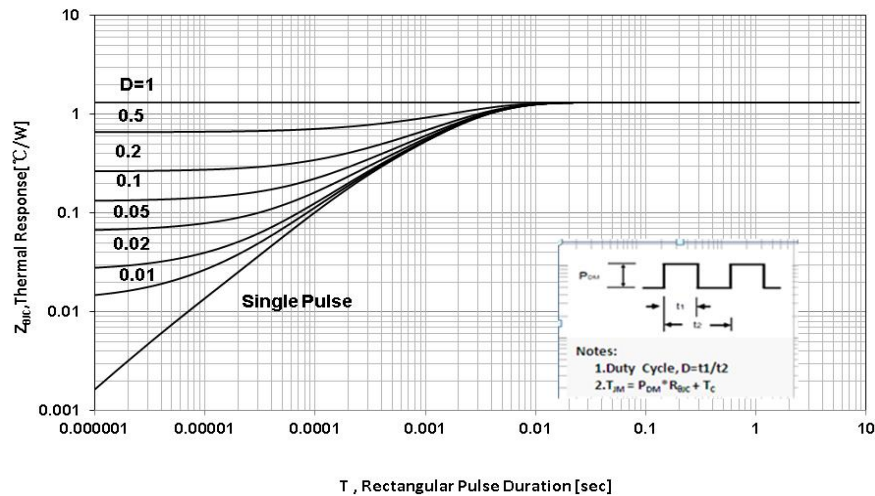


Figure.5 Maximum Effective Thermal Impedance, Junction to Case

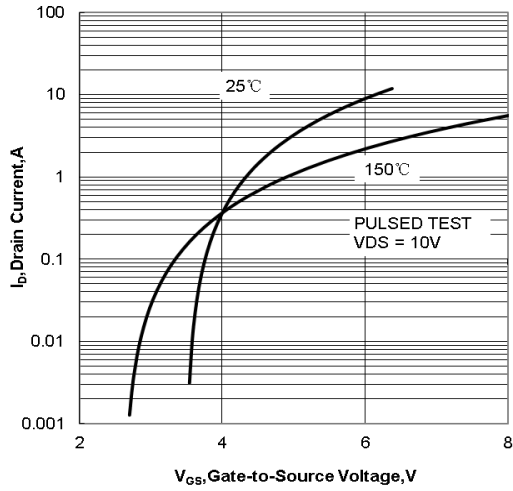


Figure.6 Typical Transfer Characteristics

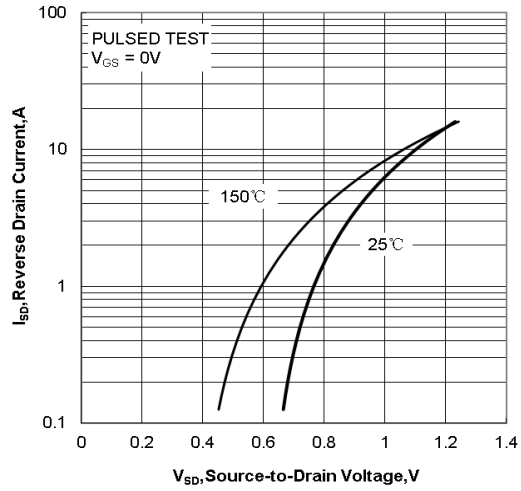


Figure.7 Typical Body Diode Transfer Characteristics

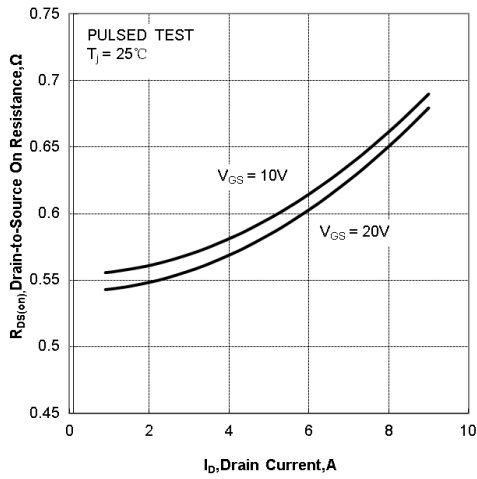


Figure.8 Typical Drain to Source ON Resistance vs Drain Current

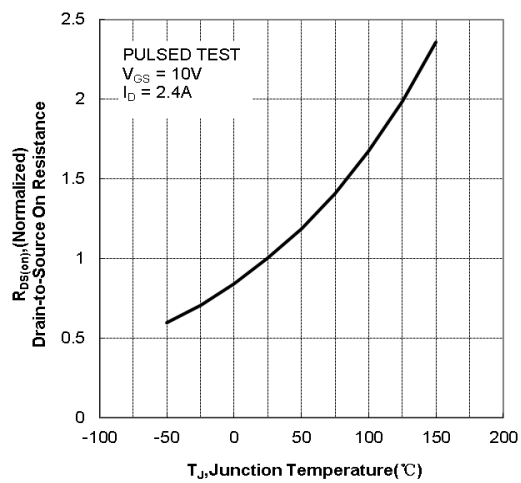


Figure.9 Typical Drain to Source on Resistance vs Junction Temperature

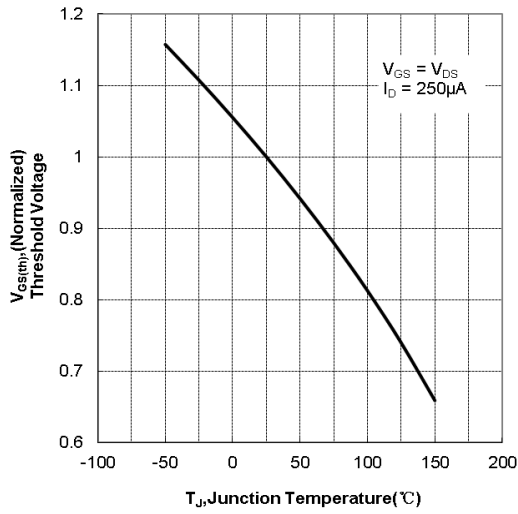


Figure.10 Typical Theshold Voltage vs Junction Temperatu

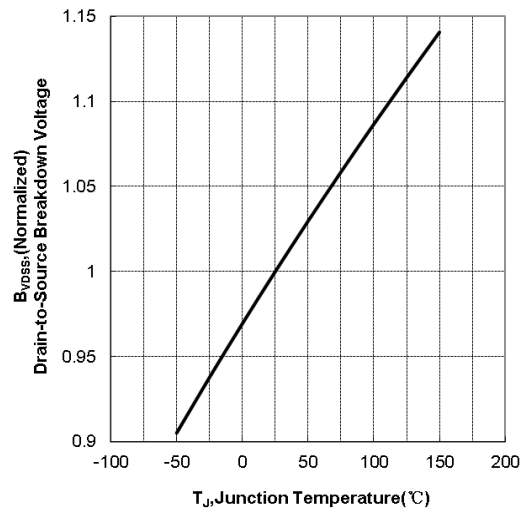


Figure 11 Typical Breakdown Voltage vs Junction Temperature

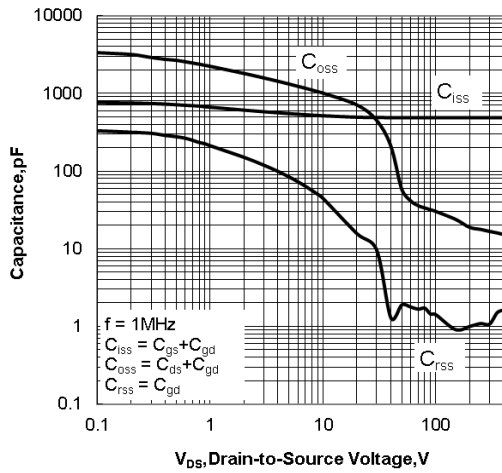


Figure.12 Typical Capacitance vs Drain to Source Voltage

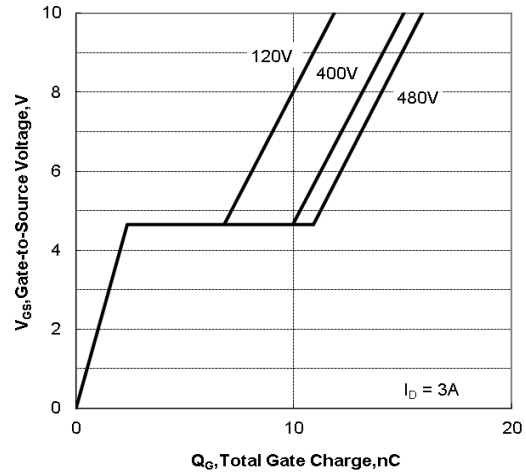


Figure.13 Typical Gate Charge vs Gate to Source Voltage

Test Circuit and Waveform



Figure 14. Gate Charge Test Circuit

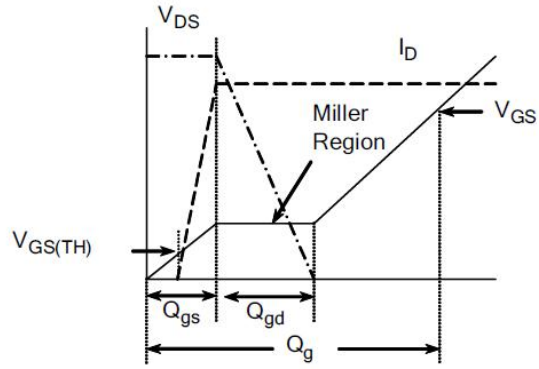


Figure 15. Gate Charge Waveforms

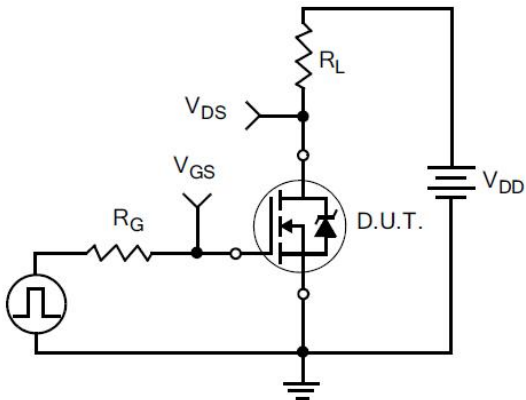


Figure 16. Resistive Switching Test Circuit

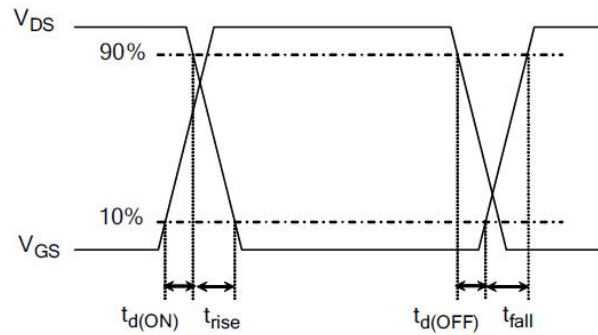


Figure 17. Resistive Switching Waveforms

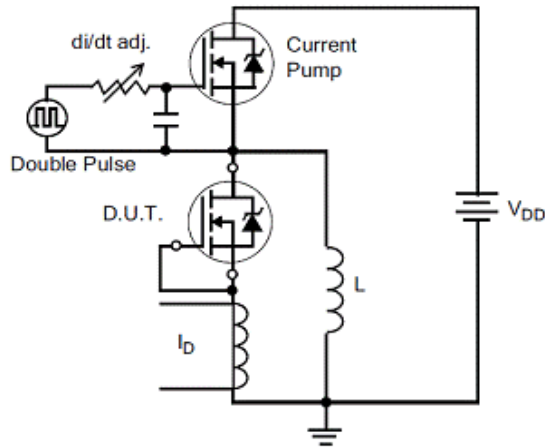


Figure 18. Diode Reverse Recovery Test Circuit

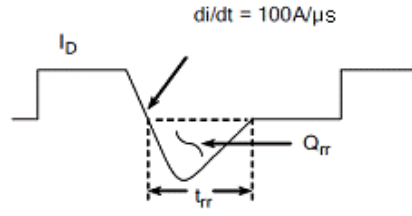


Figure 19. Diode Reverse Recovery Waveform

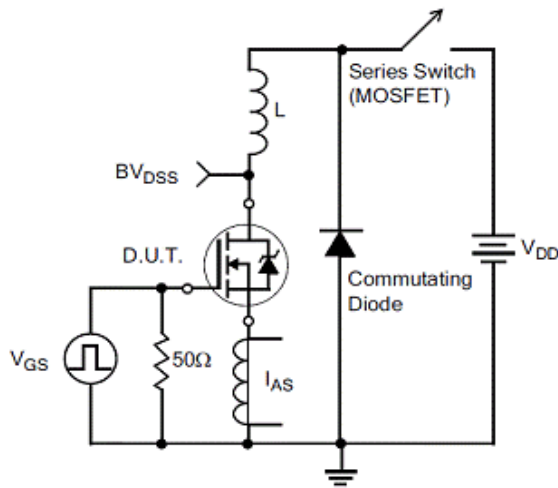


Figure20.Unclamped Inductive Switching Test Circuit

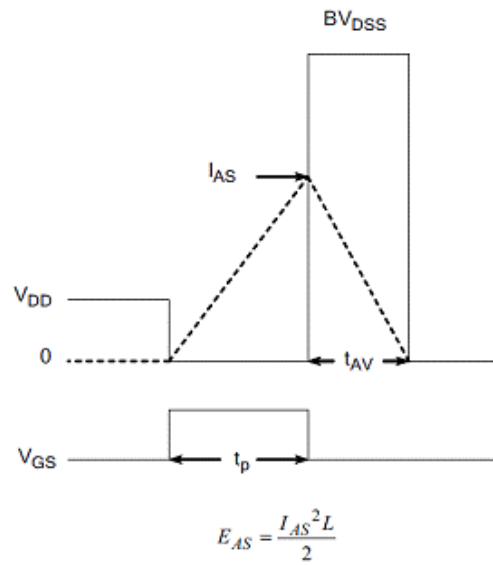
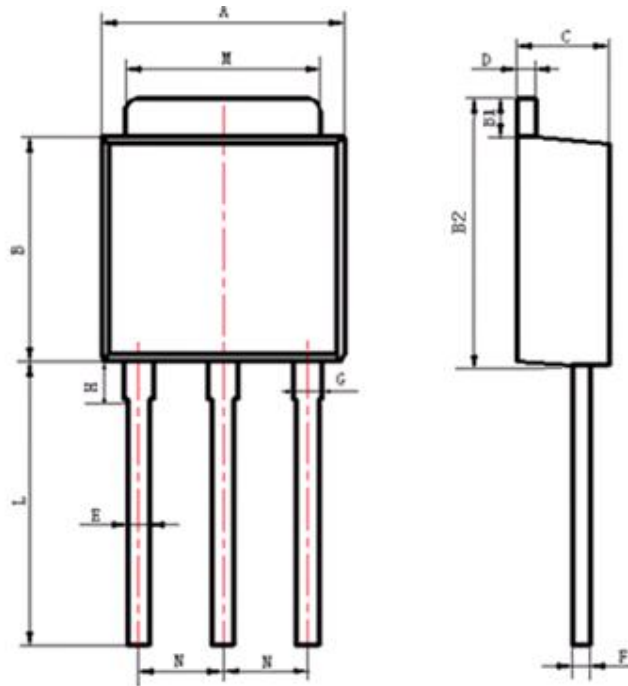


Figure21.Unclamped Inductive Switching Waveform

Package Information



Items	Values(mm)	
	MIN	MAX
A	6.30	6.90
B	5.20	6.30
B1	0.70	1.30
B2	6.80	7.40
C	2.10	2.50
D	0.30	0.60
E	0.50	0.86
F	0.30	0.60
G	0.70	1.00
H	1.40	2.40
L*	9.00	9.80
M	5.10	5.50
N	2.09	2.49

*adjustable

TO-251 Package

The name and content of poisonous and harmful material in products

	Hazardous Substance									
	Pb	Hg	Cd	Cr(VI)	PBB	PBDE	DI BP	DEHP	DBP	BBP
Limit	≤0.1%	≤0.1%	≤ 0.01%	≤0.1%	≤0.1%	≤0.1%	≤0.1%	≤0.1%	≤0.1%	≤0.1%
Lead Frame	○	○	○	○	○	○	○	○	○	○
Molding	○	○	○	○	○	○	○	○	○	○
Chip	○	○	○	○	○	○	○	○	○	○
Wire Bonding	○	○	○	○	○	○	○	○	○	○
Solder	×	○	○	○	○	○	○	○	○	○
Note	○: Means the hazardous material is under the criterion of 2011/65/EU. ×: Means the hazardous material exceeds the criterion of 2011/65/EU. The plumbum element of solder exist in products presently, but within the allowed range of Eurogroup's RoHS.									

Warnings

1. Exceeding the maximum ratings of the device in performance may cause damage to the device, even the permanent failure, which may affect the dependability of the machine. It is suggested to be used under 80 percent of the maximum ratings of the device.
2. When installing the heat sink, please pay attention to the torsional moment and the smoothness of the heatsink.
3. VDMOSFET is the device which is sensitive to the static electricity, it is necessary to protect the device from being damaged by the static electricity when using it.
4. This publication is made by HuaJing Microelectronics and subject to regular change without notice.

WUXI CHINA RESOURCES HUAJING MICROELECTRONICS CO., LTD.

Add: No.14 Liangxi RD. Wuxi, Jiangsu, China Mail:214061 <http://www.crhj.com.cn>
Tel: +86 0510-85807228 Fax: +86- 0510-85800864

Marketing Part: Post: 214061 Tel: +86 0510-81805277/81805336
Fax: +86 0510-85800360/85803016

Application and Service: Post: 214061 Tel / Fax: +86- 0510-81805243/81805