

HR051067

Electrical Specification @25°C

RoHS Compliant (Pb Free)

Isolation: 1500Vrms 1mA 60S (Pri. & Bias to Sec.), 600Vrms 1mA 60S (Pri. to Bias.)

Isolation: 600Vrms 1mA 60S (Windings to Core)

Turns Ratio: P3-4 : P2-1 : P5,6-7,8 = 1 : 0.667 : 0.262 @100KHz 0.1Vrms (Tie5+6, 7+8)

Pin3-4 Inductance: 155.0 uH $\pm 10\%$ @250KHz 0.1Vrms

Pin3-4 Inductance: 139.5 uH Min @250KHz 0.1Vrms +0.65A

Pin3-4 Leakage Inductance: 3.60uH Max. @250KHz 0.1Vrms (Shorted other windings)

Pin3-4 DC Resistance: 414.0 mohms Maximum

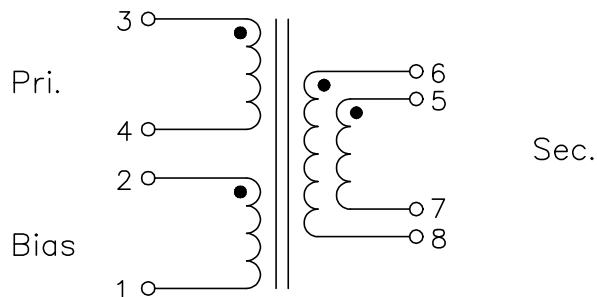
Pin2-1 DC Resistance: 822.0 mohms Maximum

Pin5,6-7,8 DC Resistance: 60.0 mohms Maximum (Tie5+6, 7+8)

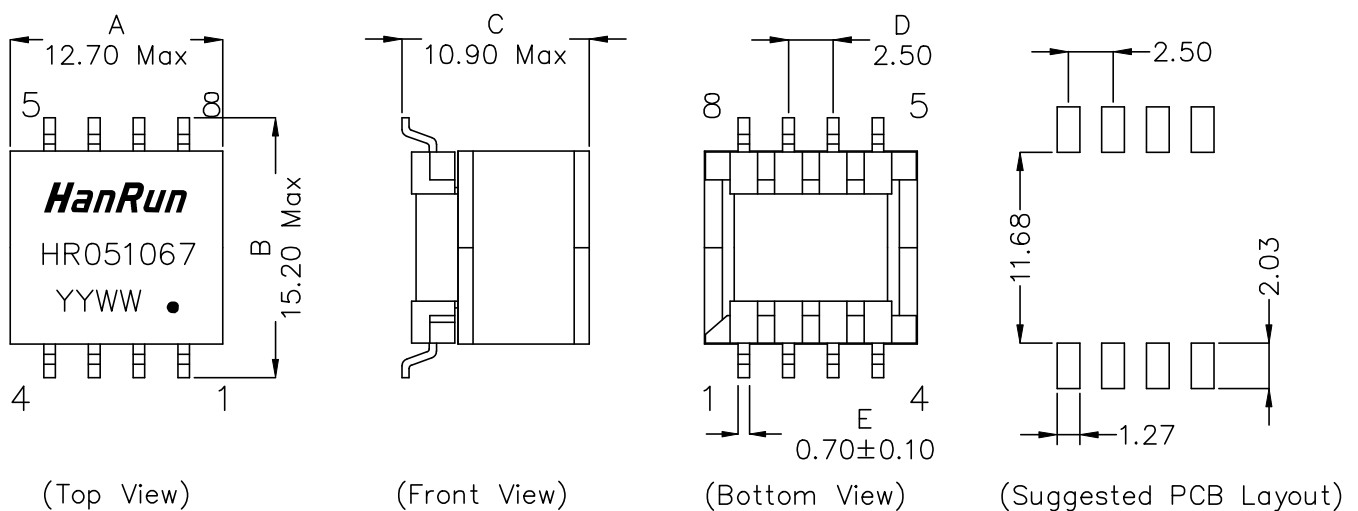
Input: 36~72V Output: 5V, 1.4A

Operating Temperature: $-40^{\circ}\text{C} \sim +85^{\circ}\text{C}$, Storage Temperature: $-40^{\circ}\text{C} \sim +85^{\circ}\text{C}$

Schematics



Mechanical Dimensions



Unless otherwise specified,
 Tol.: .xx \pm 0.25 (mm)

REV.: 02

1 of 1