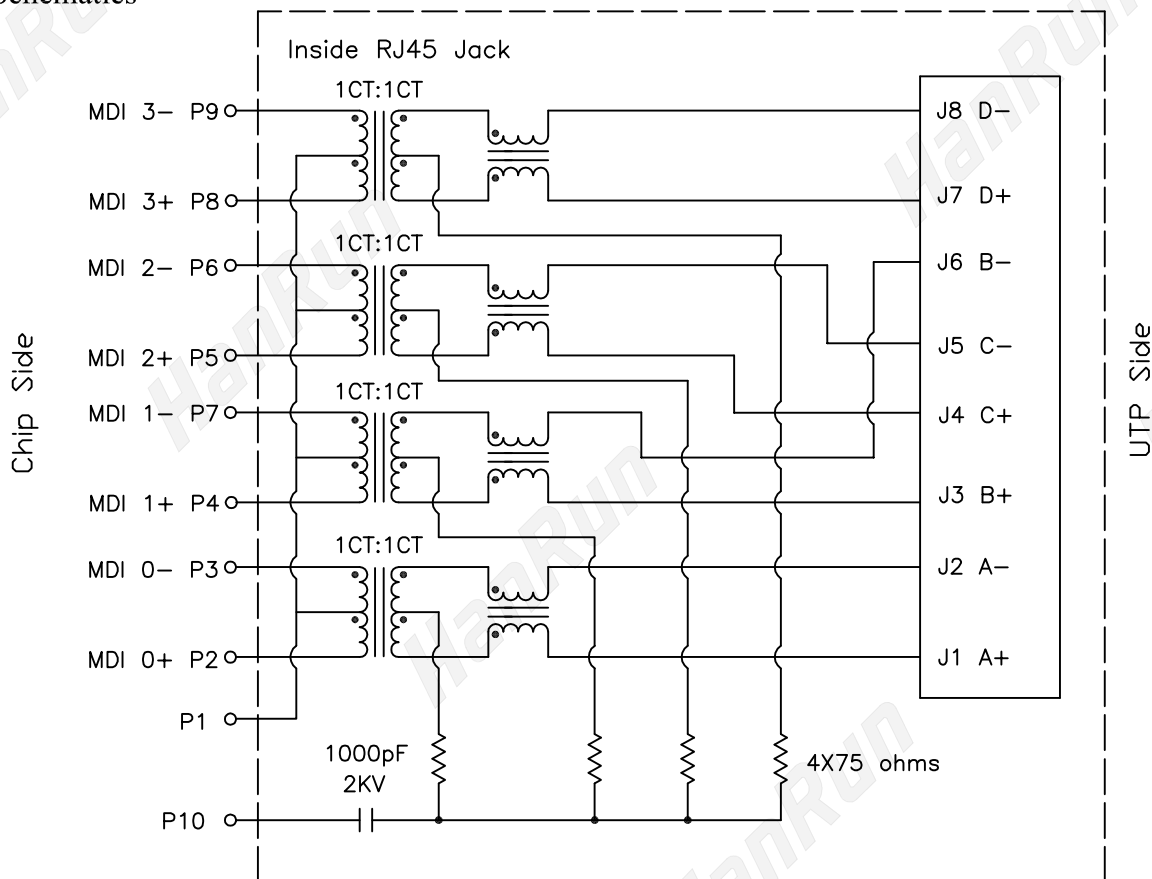


HR901130A

Electrical Specification @25°C

- Isolation: 1500Vrms (UTP Side to Chip Side)
- OCL: 350uH Minimum @100KHz 100mV with 8mADC
- Insertion Loss: -1.0dB Maximum @100KHz ~ 60MHz
- Insertion Loss: -1.1dB Maximum @60MHz ~ 100MHz
- Return Loss: -18dB Minimum @0.3MHz ~ 30MHz / -14dB Minimum @40MHz ~ 60MHz
 -12dB Minimum @80MHz ~ 100MHz
- Common Mode Rejection: -40dB Minimum @1MHz ~ 60MHz
 -35dB Minimum @60MHz ~ 100MHz
- Crosstalk: -35dB Minimum @1MHz ~ 10MHz / -26dB Minimum @15MHz ~ 60MHz
 -24dB Minimum @60MHz ~ 100MHz

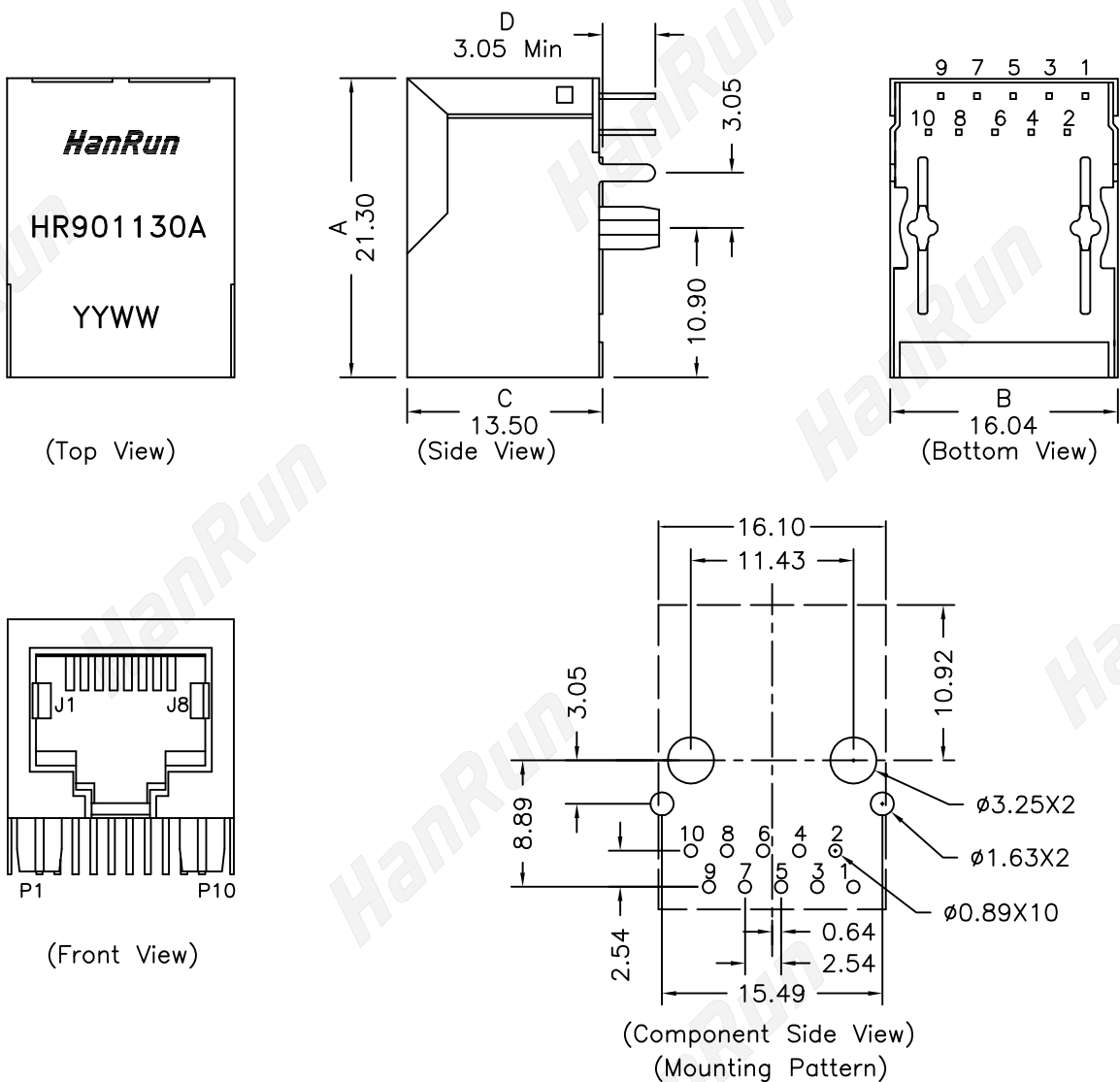
Schematics



HR901130A

- Meets or Exceeds IEEE802.3ab standards including 350uH Min OCL with 8mADC
- High performance for EMI suppression, Crosstalk, Return Loss and Consistent Electrical
- Minimum 1500Vrms isolation per IEEE802.3 requirement
- Minimize PCB space and Simplify PCB Layout
- Less magnetic components to place on PCB, Higher reliability and yields

Mechanical Dimensions:



Dimensions in mm

Unless otherwise specified, Tolerance: .xx ± 0.25

REV.A/1 (2007/11/2)