

10Base-T
Single Port RJ45 Connector
with Integrated Magnetics

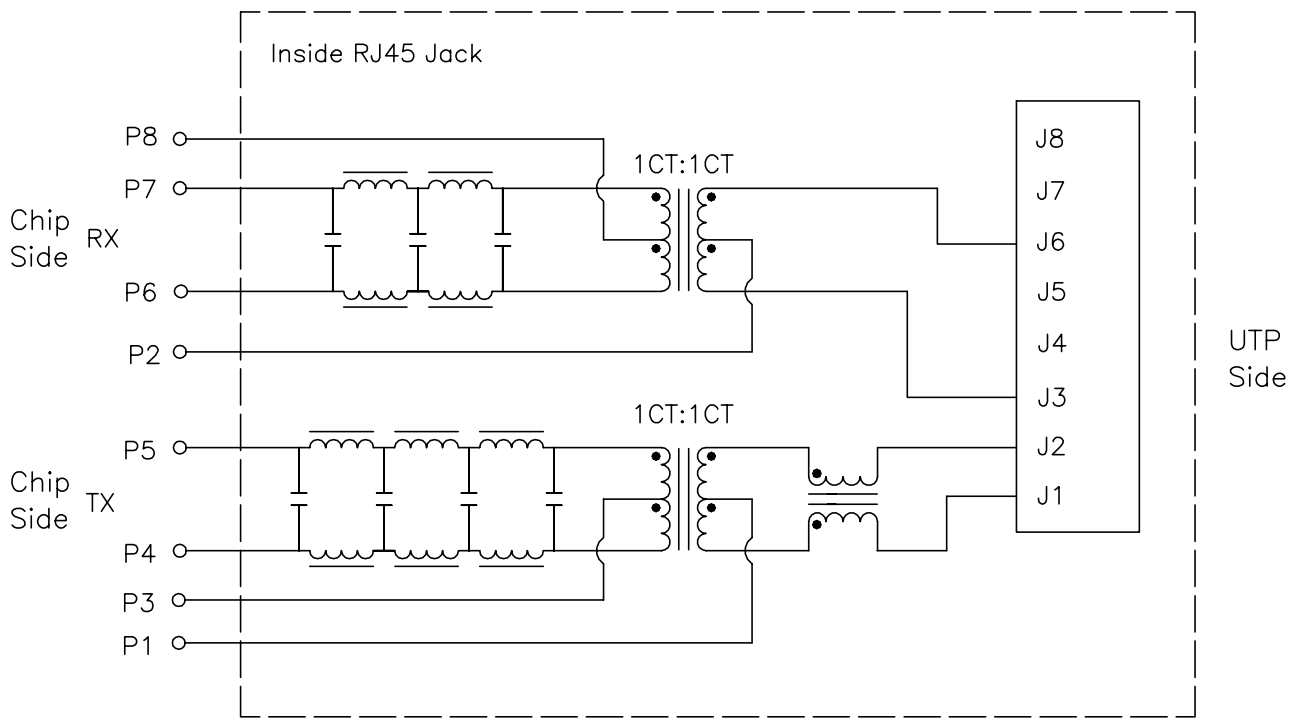
北京金敏伟业电子科技发展有限公司 授权一级代理 电话: 010-62653053 QQ: 867634437
北京市海淀区中关村大街32号和盛大厦新中发1515-1516 4号10号地铁海淀黄庄站 东南口

Part Number:
HR901170C

Electrical Specification @25°C

- Isolation: 1500Vrms (UTP Side to Chip Side)
- Insertion Loss: -1.0dB Maximum @1MHz ~ 10MHz
- Return Loss: -15dB Minimum @1MHz ~ 10MHz
- Crosstalk: -30dB Minimum @1MHz ~ 10MHz
- Attenuation @30MHz
 - Transmit: -30dB Minimum
 - Receive: -20dB Minimum
- Cut-off Frequency: 17MHz Typical
- I/O Impedance: 100 ohms

Schematics



Part No.: HR901170C	Unless otherwise specified, Tolerance: .xx ±0.25	Rev: A	DRWN:	Date:
Dimensions in mm		Page 1/2	APPD:	Date:

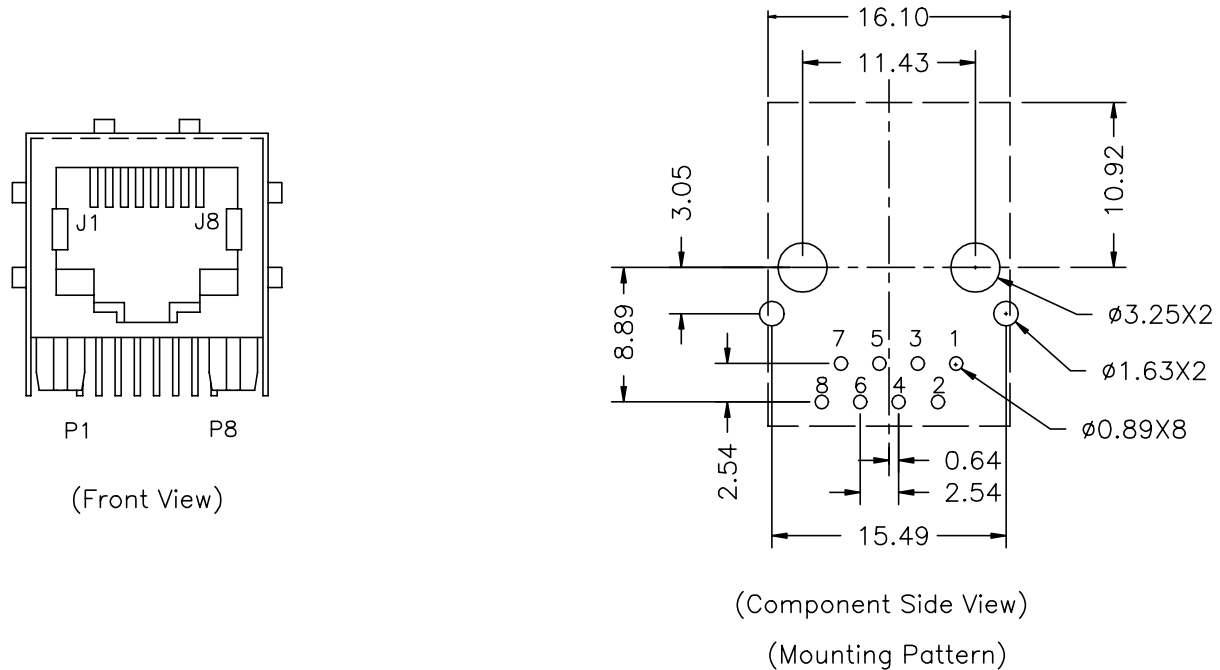
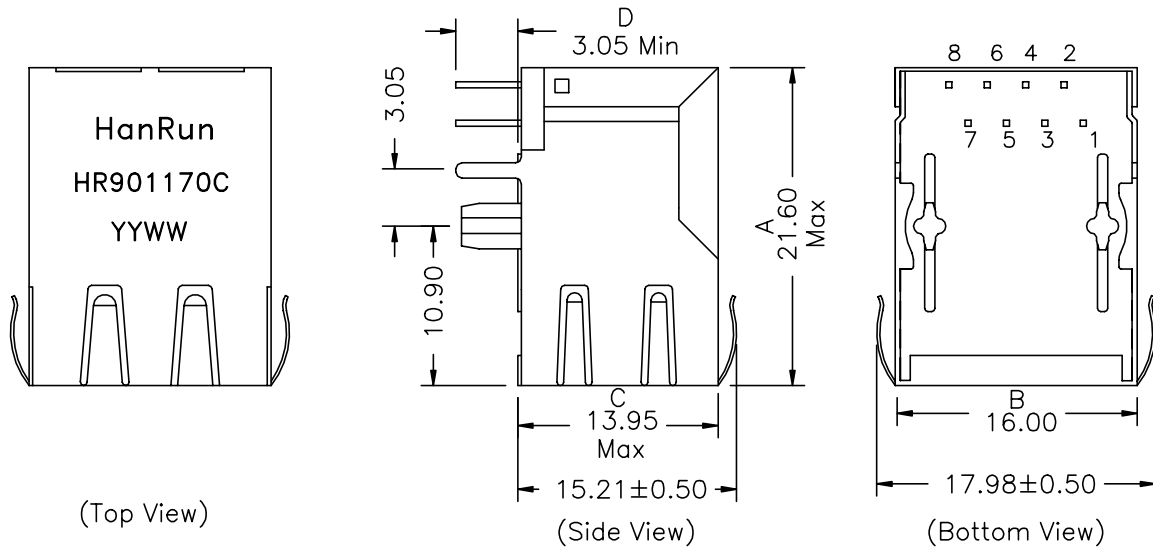
Single Port RJ45 Connector
with Integrated Magnetics

Part Number

HR901170C (Shield Type: C)

- Designed for Network Interface Card Application
- Designed to meet or exceed IEEE802.3 10Base-T specifications
- High performance for EMI suppression, Crosstalk, Return Loss and Consistent Electrical
- Minimum 1500Vrms isolation per IEEE802.3 requirement
- Minimize PCB space and Simplify PCB Layout
- Less magnetic components to place on PCB, Higher reliability and yields

Mechanical Dimensions:



Part No.: HR901170C	Unless otherwise specified, Tolerance: .xx ±0.25	Rev: A	DRWN:	Date:
Dimensions in mm		Page 2/2	APPD:	Date: