

**HR911196AE**

**Electrical Specification @25°C**

RoHS Compliant (PB Free)

Operating Temperature Range: -40°C ~ +85°C

Isolation: 1500Vrms 60Hz 0.5mA 1MIN (J1~8 to P1~12)

OCL: 350uH Minimum @100KHz 100mV with 20mADC Lp

Turns Ratio: 1CT:1CT ±5%

Insertion Loss: -1.0dB Typical @1MHz ~ 100MHz

Return Loss: -16dB Typical @30MHz / -12dB Typical @60MHz ~ 80MHz

-10dB Typical @100MHz

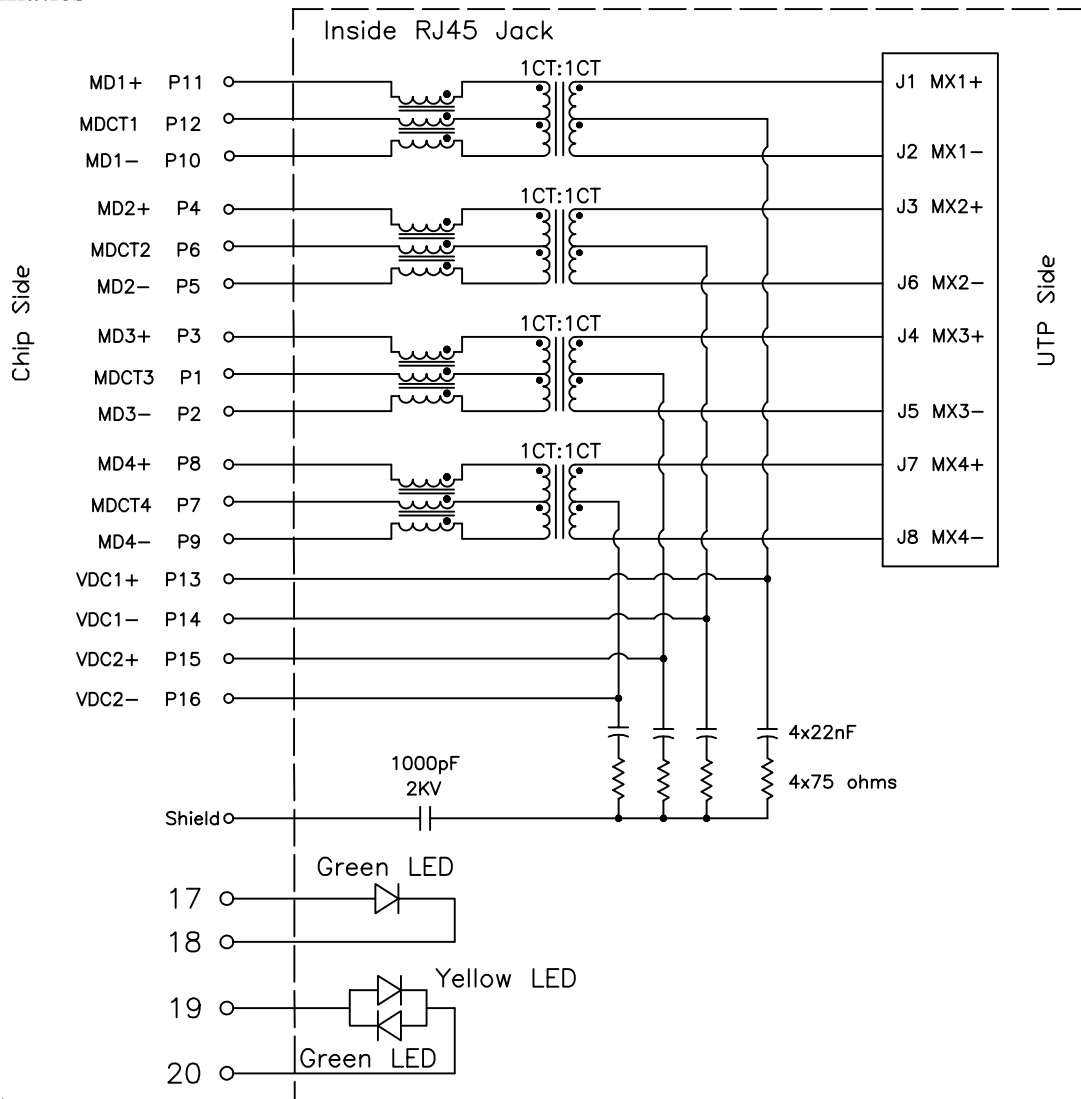
Common Mode Rejection: -27dB Typical @1MHz ~ 50MHz

-20dB Typical @50MHz ~ 130MHz

Crosstalk: -44dB Typical @30MHz / -37dB Typical @60MHz / -33dB Typical @100MHz

Designed to support 600mA DC current ability when using VC1 channel or VC2 channel

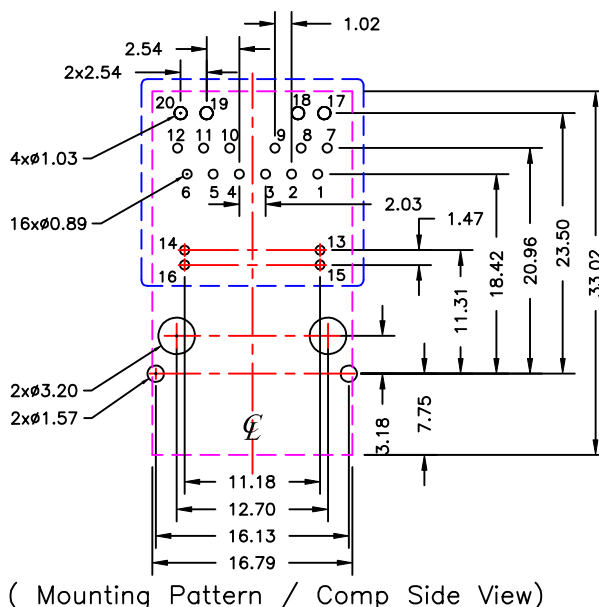
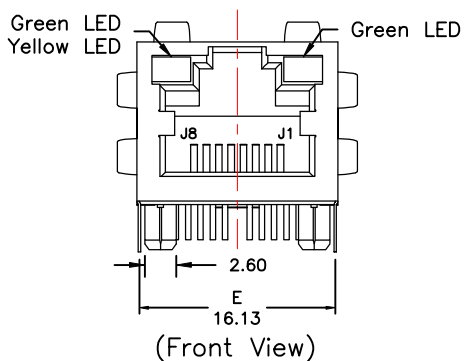
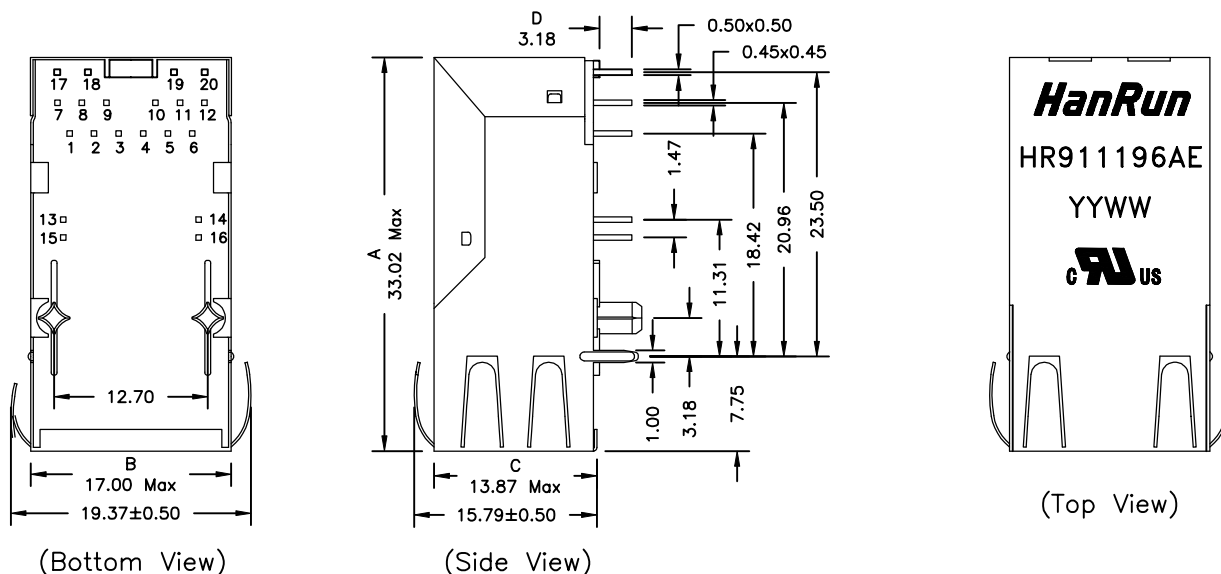
**Schematics**



**HR911196AE**

- RoHS Compliant (Pb Free)
- Sing port Tab-UP with internal magnetics for 10/100/1000Base-T
- Meets or Exceeds IEEE802.3at standards including 350uH Min OCL with 20mADC
- High performance for EMI suppression, Crosstalk, Return Loss and Consistent Electrical
- Minimum 1500Vrms isolation per IEEE802.3 requirement
- UL Recognized Component: File # E330599

**Mechanical Dimensions:**



Standard LED	Wavelength	Forward V (Min/Max)	Forward A	Type
Green	568nm	1.8V/2.8V	20mA	squareness
Green/Yellow	568nm/585nm	1.8V/2.8V	20mA	squareness

Dimensions in mm

Unless otherwise specified, Tolerance: .xx ±0.25

REV.: 01