

HRS2(H)Relay



HRS2(H)Relay

1.COILDATA

1-1.NominalVoltage	3to24VDC
1-2.CoilResistance	Refer toTable1
1-3.OperateVoltage	Refer toTable1
1-4.ReleaseVoltage	Refer toTable1
1-5.NominalPowerConsumption	200mW,360mW,450mW

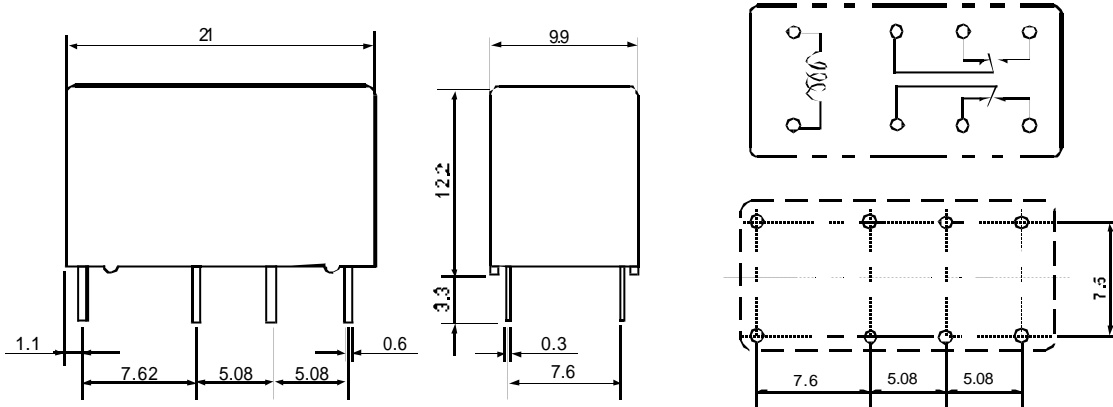
2.CONTACTDATA

2-1.ContactArrangement	2FormA,2FormB,2FormC
2-2.ContactMaterial	AuAg
2-3.ContactRating	1A24VDC/120VAC
2-4.Max.SwitchingVoltage	220VDC/250VAC
2-5.Max.SwitchingCurrent	2A
2-6.Max.SwitchingPower	30W,120VA
2-7.ContactResistance(Initial)	50m .at6VDC1A
2-8.LifeExpectancy	
Electrical	100,000operationsatnominalload 200,000operationsat0.5A120VAC 500,000operationsat1A24VDC
Mechanical	1,000,000operationsat0.15A48VDC 10,000,000operations

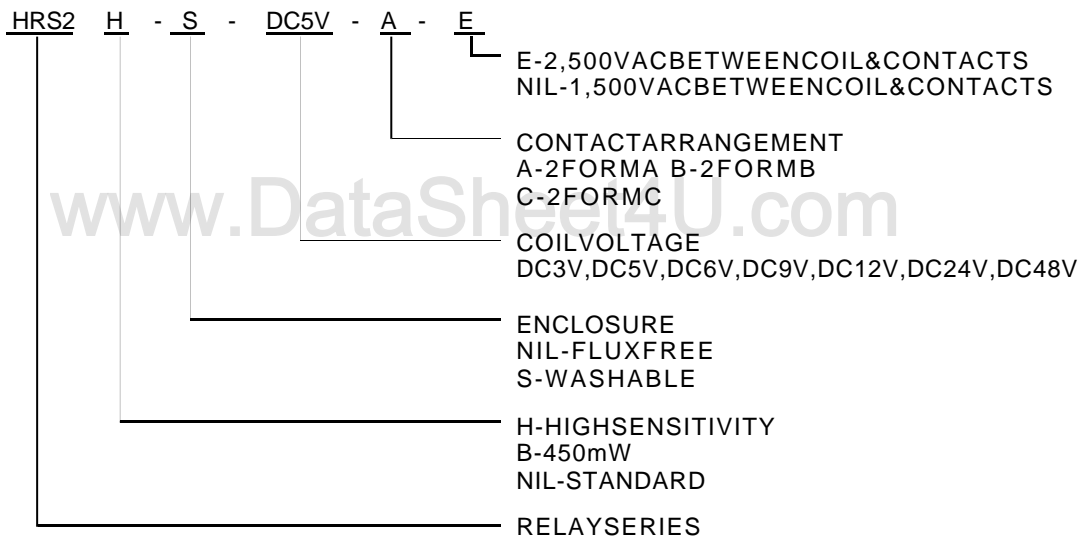
3.GENERALDATA

3-1.InsulationResistance	Min.100M .at500VDC
3-2.DielectricStrength	750VAC,1minbetweenopencontacts 1,000VAC,1minbetweencontactsandcoil
3-3.SurgeStrength	1,500VAC10x160µs betweencontactsandcoil
3-4.OperateTime	Max.6ms
3-5.ReleaseTime	Max.4ms
3-6.TemperatureRange	-30to+70°C
3-7.ShockResistance	
Endurance	1,000m/s ²
Misoperation	100m/s ²
3-8.VibrationResistance	
Endurance	10to55Hz,1.5mmDoubleAmplitude
Misoperation	10to55Hz,1.5mmDoubleAmplitude
3-9.Heating	80±2°C96hs
3-10.Cold	-40±2°C96hs
3-11.Humidity	85%RH
3-12.Weight	5gr.
3-13.SafetyStandard	ULNO.E164730 CSANO.LR109368-2 TUVNO.R2033742 CQCNO.03001008746

4.DIMENSIONS(inmm)



5.ORDERINGCODE



6.COILDATACHART

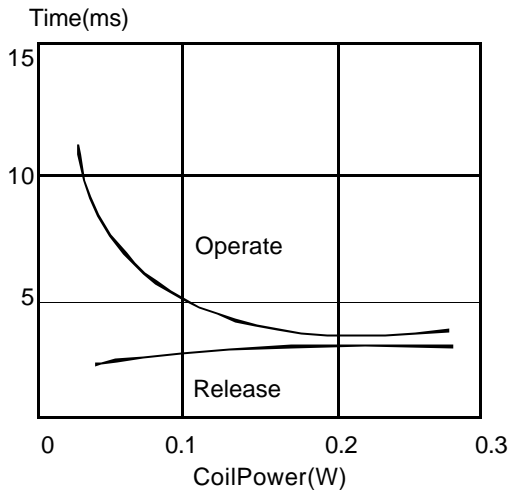
at 20°C

ORDERINGCODE	COIL VOLTAGE VDC	COIL RESISTANCE +/-10%	OPERATE VOLTAGE VDC	RELEASE VOLTAGE VDC	POWER CONSUMPTION mW
HRS2B-(S)-DC3V	3	20	2.1	0.30	450
HRS2B-(S)-DC5V	5	56	3.5	0.50	
HRS2B-(S)-DC6V	6	80	4.2	0.60	
HRS2B-(S)-DC9V	9	180	6.3	0.90	
HRS2B-(S)-DC12V	12	320	8.4	1.20	
HRS2B-(S)-DC24V	24	1280	16.8	2.40	
HRS2B-(S)-DC48V	48	5120	33.6	4.80	
HRS2-(S)-DC3V	3	25	2.1	0.30	360
HRS2-(S)-DC5V	5	70	3.5	0.50	
HRS2-(S)-DC6V	6	100	4.2	0.60	
HRS2-(S)-DC9V	9	220	6.3	0.90	
HRS2-(S)-DC12V	12	400	8.4	1.20	
HRS2-(S)-DC24V	24	1600	16.8	2.40	
HRS2-(S)-DC48V	48	5760	33.6	4.80	400
HRS2H-(S)-DC3V	3	45	2.1	0.30	200
HRS2H-(S)-DC5V	5	120	3.5	0.50	
HRS2H-(S)-DC6V	6	180	4.2	0.60	
HRS2H-(S)-DC9V	9	400	6.3	0.90	
HRS2H-(S)-DC12V	12	700	8.4	1.20	
HRS2H-(S)-DC24V	24	2800	16.8	2.40	

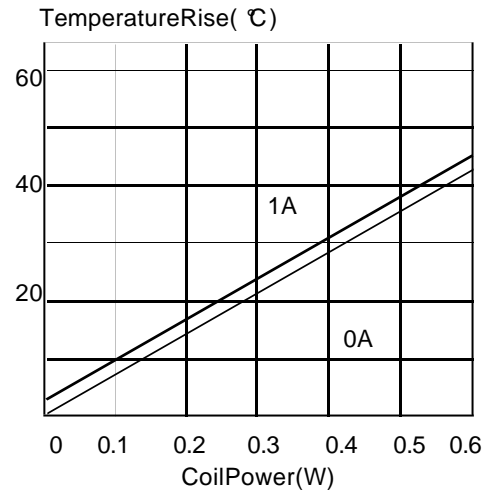
Table 1

7.HRS2(H)CHARACTERISTICDATA

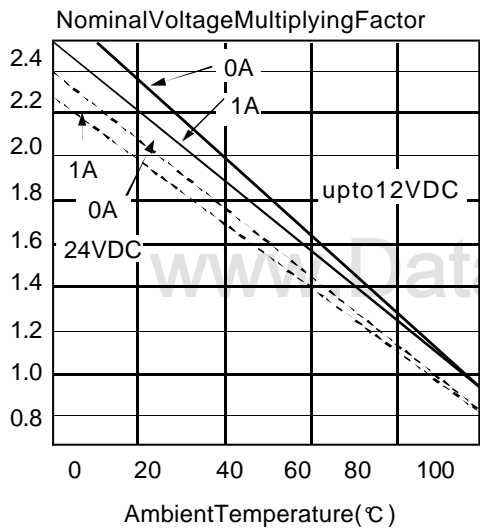
Timing



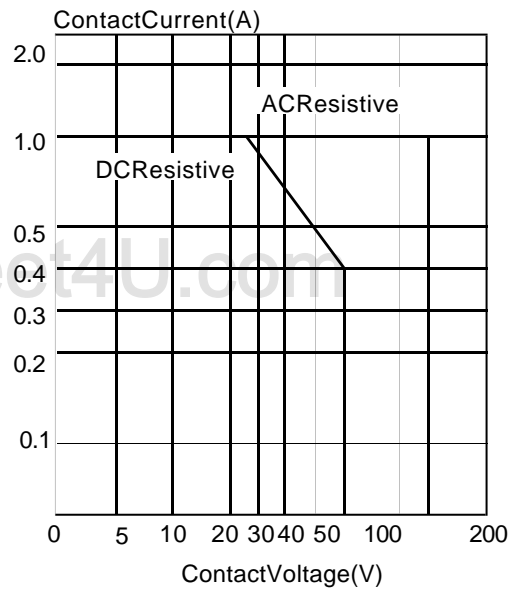
Coil Temperature Rise



Operating Range



Maximum Switching Power



Life Curve

