

HS-421 Series Vibration Sensor

Braided Cable, Dual Output - 4-20mA and AC



Typical Applications

- Low cost online means of monitoring with the capability of interfacing direct into PLC, BMS or any 4-20mA input module.
Proven use in vibration monitoring for offline applications using commercially available data collectors.
- **Protecting...**
Fans, Motors, Pumps, Compressors, Centrifuges, Conveyers, Air Handlers, Gearboxes, Rolls, Dryers, Presses, Cooling, HVAC, Spindles, Machine Tooling, Process Equipment and many more.

Technical Performance

| | |
|------------------------|-------------------------------------|
| Mounted Base Resonance | 5 kHz min. |
| Velocity Ranges | 0-10 to 0-100 mm/sec RMS (5 ranges) |
| Frequency Response | 10 Hz to 1 kHz $\pm 5\%$ - ISO10816 |
| Isolation | Base isolated |
| Measurement Range | 50 g peak |
| Transverse Sensitivity | Less than 5% |

Electrical

| | |
|------------------|---|
| Output Current | 4-20 mA DC proportional to RMS velocity (mm/s) and AC g for data collectors |
| Supply Voltage | 15 - 30 Volts DC (for 4-20 mA) |
| Settling Time | 2 seconds |
| Output Impedance | Loop Resistance 600 Ohms max. at 24 Volts |
| Case Isolation | $>10^8$ Ohms at 500 Volts |

Environmental

| | |
|-----------------------------|------------------|
| Operating Temperature Range | -25 to 90 °C |
| Sealing | IP65 |
| Maximum Shock | 5000 g |
| Emissions | EN61000-6-4:2001 |
| Immunity | EN61000-6-2:1999 |

Mechanical

| | |
|------------------------------|--|
| Case Material | Stainless Steel |
| Sensing Element/Construction | PZT/Compression |
| Mounting Torque | 8 Nm |
| Weight | 135 gms (nom) |
| Maximum Cable length | 1000 metres |
| Standard Cable | 5 metres armoured PTFE |
| Mounting Threads | See 'How to order' table |
| Options | Ranges, connector, other cable lengths |

PRODUCT DATA

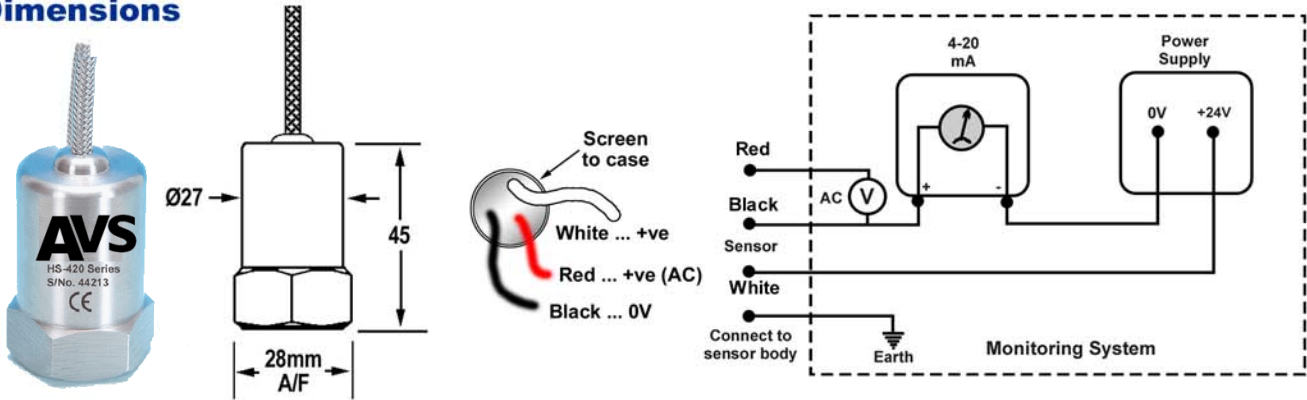


Alignment & Vibration Solutions
www.avsrta.com

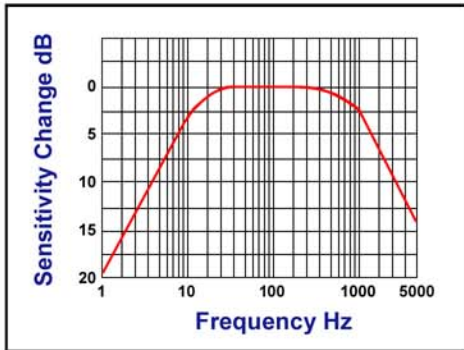
Alignment & Vibration Solutions cc
PO Box 5238
The Reeds
0158
Tel : 012 661 7844
Fax : 086 670 9045
Email : admin@avsrta.com
www.avsrta.com

HS-421 Series Vibration Sensor

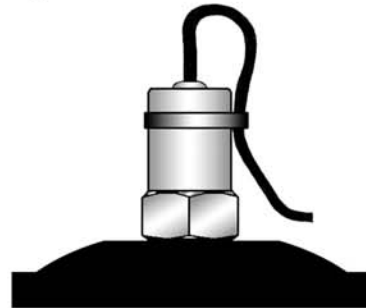
Dimensions



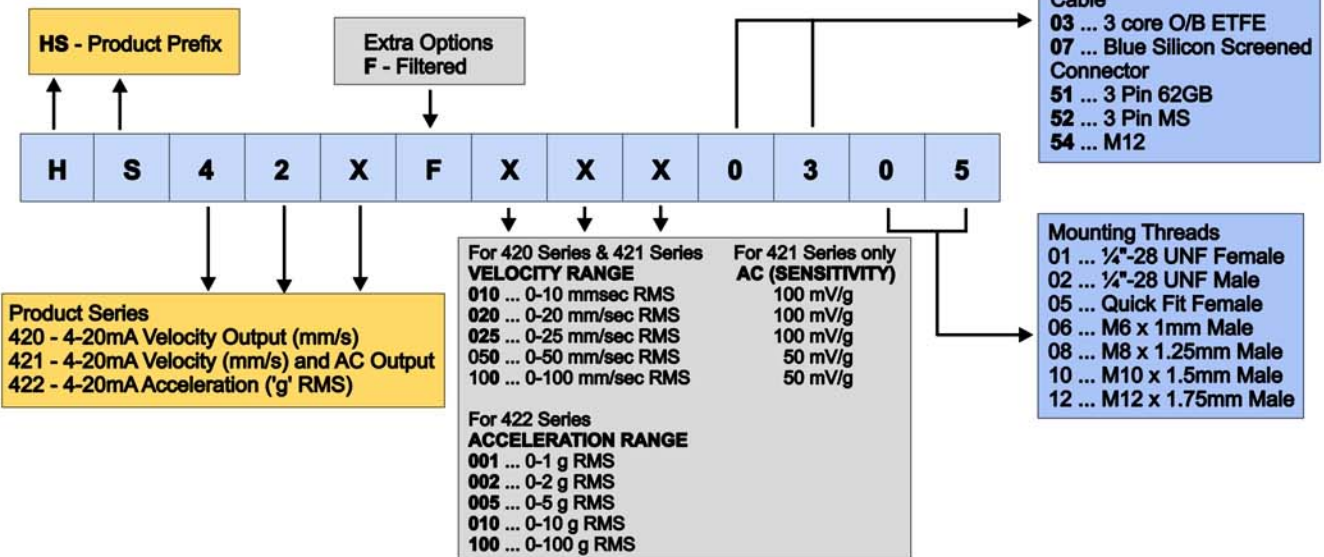
Frequency Response



Mounting of sensor to achieve good repeatable readings. Vibration sensor should be firmly fixed to a flat surface (spot face surface may be needed to be produced and cable anchored to sensor body.)



How to order



Please contact our Sales Office for information on sensor accessories (mounting studs, etc) and multichannel switch boxes.



Alignment & Vibration Solutions
www.avrsa.com

Alignment & Vibration Solutions cc
PO Box 5238
The Reeds
0158
Tel : 012 661 7844
Fax : 086 670 9045
Email : admin@avrsa.com
www.avrsa.com



Ref: HS421ShC-0109