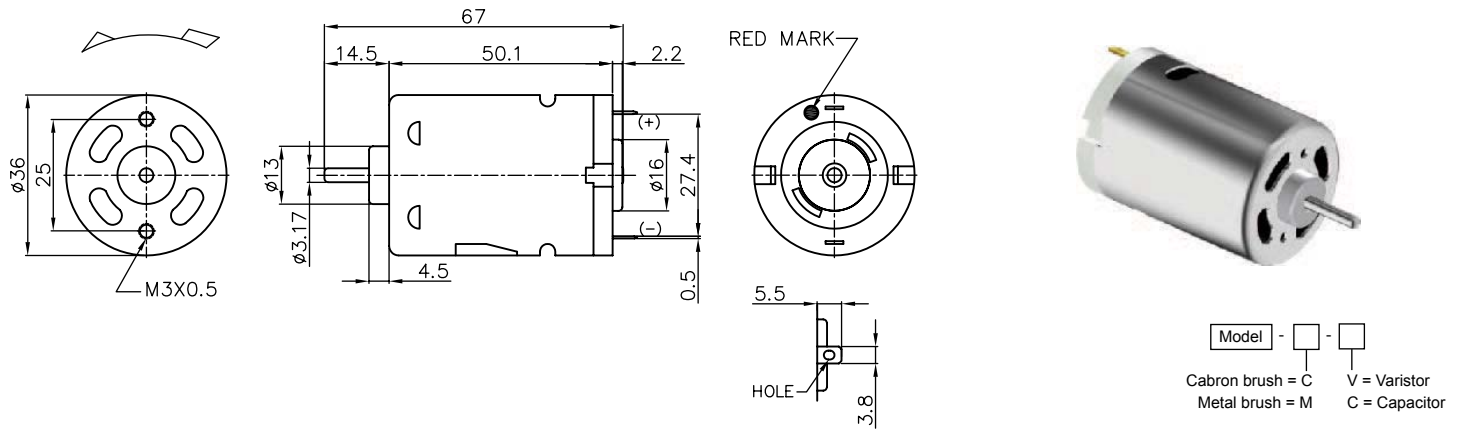


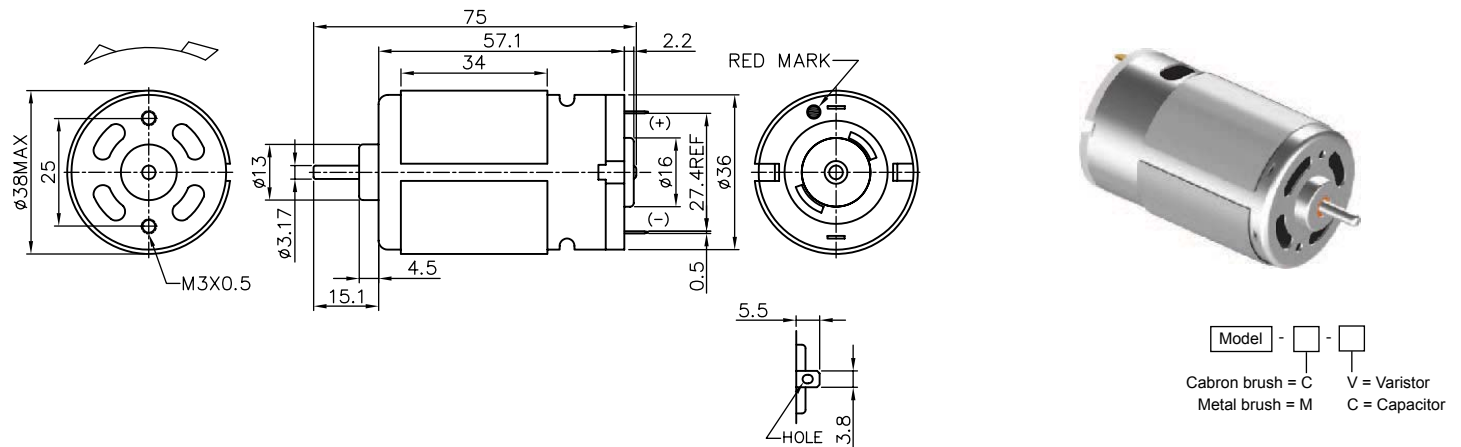
H_5N series Ø36 mm 3.2-13 W



MOTOR DATA

Part name	HS5N-4525-CVC	HP5N-20120-CVC	HS5N-16200-CVC	HP5N-20130-CVC
Diameter (mm)	36	36	36	36
Length (mm)	50.1	50.1	50.1	50.1
Nominal voltage (V)	6	12	24	24
Nominal speed (rpm)	6800	2300	3500	4600
Nominal torque (mNm)	18.6	12.7	9.4	15.8
Nominal current A	3.3	0.5	0.2	0.5
No load speed (rpm)	8700	3100	4100	5600
No load current A	1.00	0.12	0.60	0.12
Stall torque (mNm)	86.3	60.0	72.4	112.6
Starting current (A)	12.1	1.8	1.4	2.9
Output (W)	13	3.2	3.5	7.7
Efficiency (%)	66	56	66	66
Operating temperature deg. C	-10...+60	-10...+60	-10...+60	-10...+60

K_3N series Ø38 mm 9.6-51 W



MOTOR DATA

Part name	KP3N-7521-CC	KP3N-35110-CVC	KS3N-30100-CVC	KS3N-4553-CVC
Diameter (mm)	38	38	38	38
Length (mm)	57.1	57.1	57.1	57.1
Nominal voltage (V)	7.2	12	12	12
Nominal speed (rpm)	12700	3800	4300	8400
Nominal torque (mNm)	38.2	23.7	23.0	34.6
Nominal current A	9.9	1.1	1.3	3.6
No load speed (rpm)	14500	4500	5200	10200
No load current A	1.50	0.15	0.30	0.60
Stall torque (mNm)	353.7	198.0	147.1	246.4
Starting current (A)	79.8	8.3	7.2	22.7
Output (W)	51	9.6	11	31
Efficiency (%)	72	71	65	72
Operating temperature deg. C	-10...+60	-10...+60	-10...+60	-10...+60