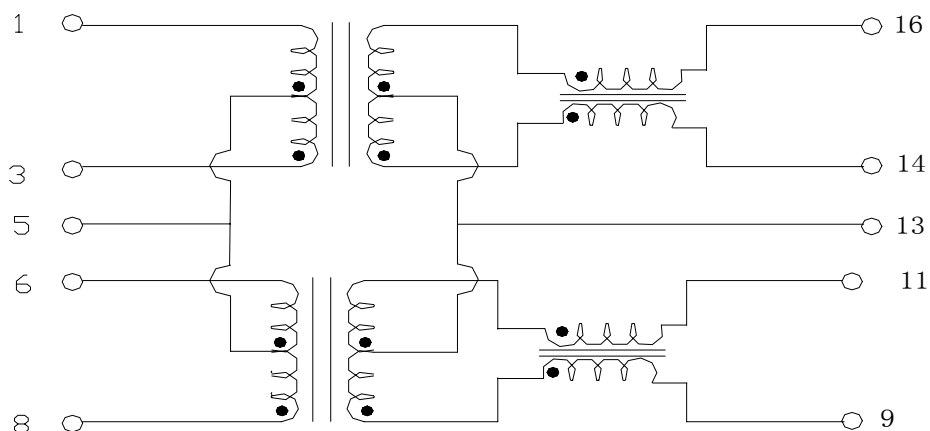


Specifications

Electrical Specification @ 25°C--Operating temperature 0°C to 70°C										
P/N	Insertion Loss (dB MAX)	return Loss (dB MIN)				Cross Talk (dB MIN)	HI-POT (VRMS MIN)	OCL 8mA DC (uH MIN)	Turn Ratio (±5%)	
		2-30MHZ	40MHZ	50MHZ	60-80MHZ				TX (PRI:SEC)	RX (PRI:SEC)
HS9016	0.1-100MHZ	-18	-14	-13	-12	0.1-100M	1500	350	TX (PRI:SEC)	RX (PRI:SEC)
	-1	-18	-14	-13	-12	-35			1:1	1:1

Schematic:



Dimensions:

- A=12.45±0.15
- B=6.90±0.10
- C=6.10±0.15
- D=8.89±0.25
- E=0.25±0.10
- F=1.27±0.05 TYP
- G=0.46±0.05
- I=0-8°
- J=0.89 TYP

UNIT: mmshH

