

Brushless Motor III

The IRIS Series BLDC Drive is an innovation product using 32bits DSP for fully Digital control. It can control BLDC motor with powerful function, fast dynamic response, wide speed control range, high speed accuracy and with very compact size.

32bits DSP for fully digital control.

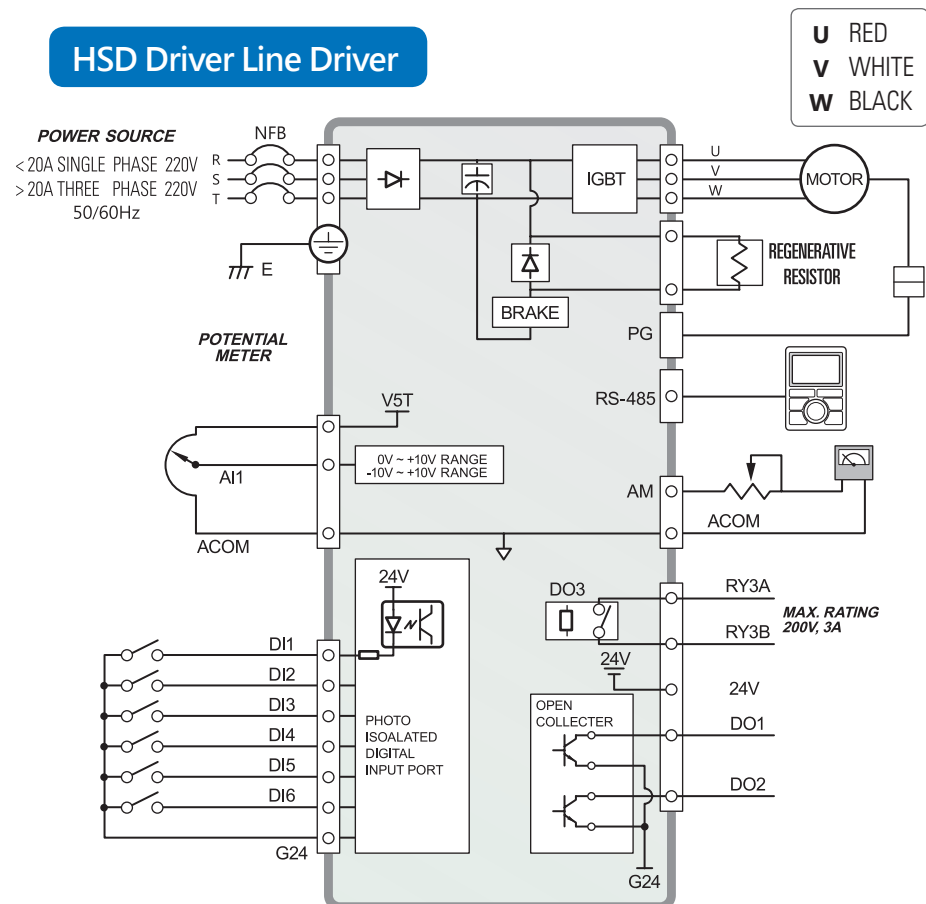
Open Loop (without Hall Sensor and Encoder) to assure of low speed, high output torque. Closed Loop (with economic magnetic encoder) to raise high performance and be Competent for simple servo application.



HSD Driver Specification

Driver	Description		
Drive Type	IRIS-BL-3.5	IRIS-BL-5	IRIS-BL-7
Rated Output Current(A)	3.5A	5A	7A
Overload Capacity	150% 1 min, 200% 2 Seconds		
Control Mode	Speed Control; Torque Control Absolute Synchronous Cascade Control		
Speed Control Range	Open Loop (w/o Hall Sensor and Encoder) 1:100 Closed Loop (w/ Economic Magnetic Encoder) 1:200		
Carter Frequency	2~15KHz		
Analogue Input	1 NO. 12 bits		
Analogue Output	1 NO. 8 bits		
Digital Input	6 NO. Sink, Programmable		
Relay Output	2 NO. NPN, Programmable		
Relay Output	1 NO. Dry Contact		
Braking Chopper	Built-in		
Communication	RS485 x 2 ; CAN BUS in option		
Weight (kgs)	2 kgs		

HSD Driver Line Driver

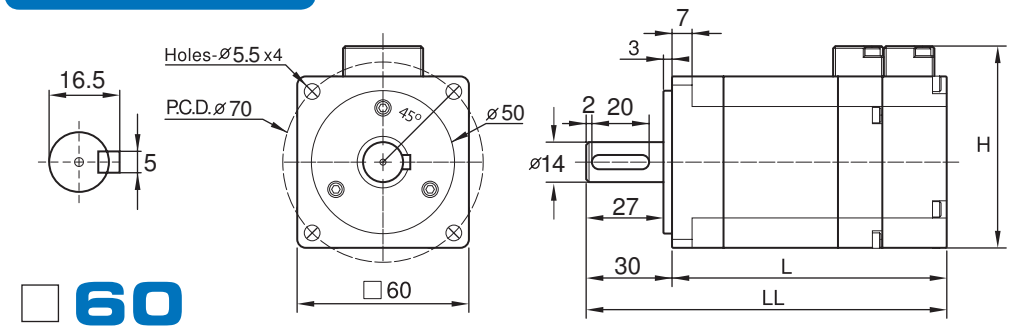


BLDC Brushless Motor III

HIGH TORQUE DESIGN, LOW COST PACKAGE

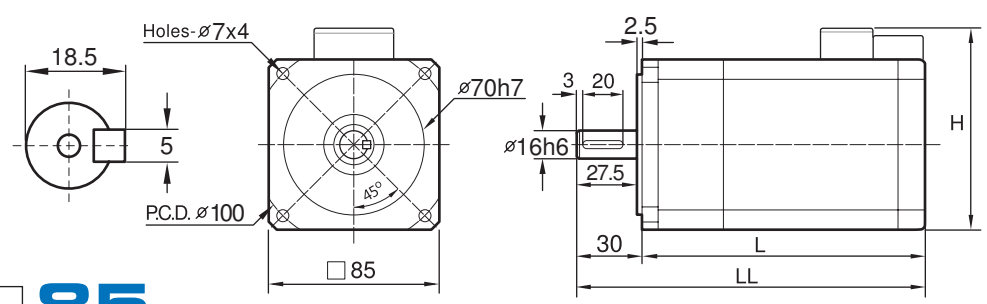
- High power density with low overall dimensions.
- High overload capability.
- Low moment of rotor inertia, perform very high dynamic response.
- Low weight.
- Sinusoidal B.E.M.F.
- Low cogging torque.
- High accuracy.

Motor dimension



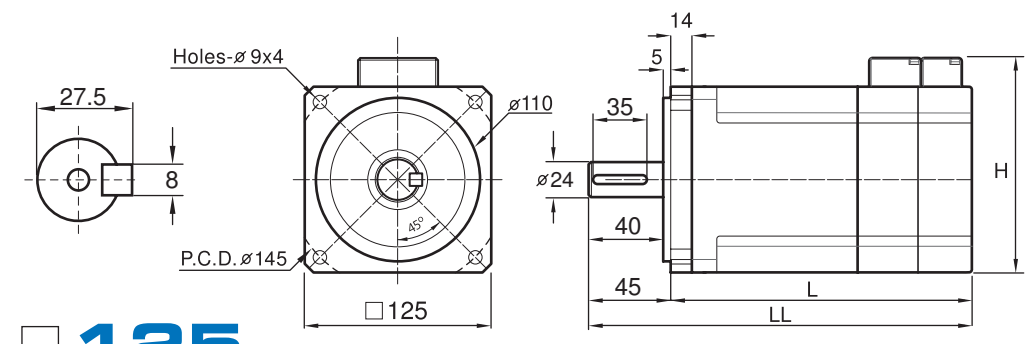
60

MODEL	Rated output	Rated torque	Rated speed	Motor size		
	W	N · m	rpm	H	L	LL
HSD-035-60A	200 w	0.62	3,000	71	97	127
HSD-035-60B	400 w	1.24	3,000	71	115	145



85

MODEL	Rated output	Rated torque	Rated speed	Motor size		
	W	N · m	rpm	H	L	LL
HSD-035-85S	200 w	0.62	3,000	98	103	135.5
HSD-035-85A	400 w	1.24	3,000	98	123	155.5
HSD-035-85B	750 w	2.35	3,000	98	143	175.5
HSD-050-85C	1000 w	3.11	3,000	98	163	195.5
HSD-050-85D	1500 w	4.67	3,000	98	183	215.5



125

MODEL	Rated output	Rated torque	Rated speed	Motor size		
	W	N · m	rpm	H	L	LL
HSD-035-125A	750 w	3.63	2,000	190	146	191
HSD-050-125B	1000 w	4.90	2,000	190	166	211
HSD-050-125C	1500 w	7.35	2,000	190	191	236
HSD-070-125D	2200 w	10.78	2,000	190	226	271
HSD-070-125E	3000 w	14.70	2,000	190	266	311