



Document Title	HSD080IDW1-B Product Information	Page No.	1/24
Document No.		Revision	1.0

TO :

Date : Jun., 30, 2008

# **HannStar Product Information** **(Formal)**

## **8” Color TFT-LCD Module**

**Model : HSD080IDW1-B\*\***

**Note:**

1. Please contact HannStar Display Corp. before designing your product based on this module specification.
2. The information contained herein is presented merely to indicate the characteristics and performance of our products. No responsibility is assumed by HannStar for any intellectual property claims or other problems that may result from application based on the module described herein.
3. The mark “\*\*” of Model means sub-model code.



Document Title	HSD080IDW1-B Product Information	Page No.	2/24
Document No.		Revision	1.0

### Record of Revisions

Rev.	Date	Sub-Model	Description of change
1.0	Jun., 30, 2008	-	Formal Product Specification was first released.



Document Title	HSD080IDW1-B Product Information	Page No.	3/24
Document No.		Revision	1.0

### Contents

1.0	General description .....	p.4
2.0	Absolute maximum ratings .....	p.5
3.0	Optical characteristics .....	p.6
4.0	Block diagram .....	p.10
5.0	Interface pin connection .....	p.11
6.0	Electrical characteristics .....	p.13
7.0	Reliability test items.....	p.20
8.0	Outline dimension .....	p.21
9.0	Lot mark .....	p.22
10.0	Package specification .....	p.23
11.0	General precaution .....	p.24

Document Title	HSD080IDW1-B Product Information	Page No.	4/24
Document No.		Revision	1.0

## 1.0 GENERAL DESCRIPTION

### 1.1 Introduction

HannStar Display model HSD080IDW1-B is a color active matrix thin film transistor (TFT) liquid crystal display (LCD) that uses amorphous silicon TFT as a switching device. This model is composed of a TFT LCD panel, a driving circuit and a back light system. This TFT LCD has a 8.0 (16:9) inch diagonally measured active display area with WVGA (800 horizontal by 480 vertical pixel) resolution.

### 1.2 Features

- 8 (16:9 diagonal) inch configuration
- 6 bits + FRC driver with 1channel TTL interface
- RoHS and Halogen-Free Compliance

### 1.3 Applications

- Digital Photo frame
- Portable DVD
- Multimedia applications and Others AV system

### 1.4 General information

Item	Specification	Unit
Outline Dimension	192.8 x 116.9 x 6.4 (Typ.)	mm
Display area	176.64(H) x 99.36(V)	mm
Number of Pixel	800 RGB (H) x 480(V)	pixels
Pixel pitch	0.2208(H) x 0.2070(V)	mm
Pixel arrangement	RGB Vertical stripe	
Display mode	Normally white	
Surface treatment	Antiglare, Hard-Coating (3H)	
Weight	240(Typ.)	g
Back-light	Side-light type	
Power Consumption	B/L System 2.16 (Max.)	W

### 1.5 Mechanical Information

Item	Min.	Typ.	Max.	Unit	
Module Size	Horizontal(H)	192.5	192.8	193.1	mm
	Vertical(V)	116.6	116.9	117.2	mm
	Depth(D)	6.1	6.4	6.7	mm
Weight (Without inverter)	---	240	---	g	

Document Title	HSD080IDW1-B Product Information	Page No.	5/24
Document No.		Revision	1.0

## 2.0 ABSOLUTE MAXIMUM RATINGS

### 2.1 Electrical Absolute Rating

#### 2.1.1 TFT LCD Module

Item	Symbol	Min.	Max.	Unit	Note
Power supply voltage	V <sub>CC</sub>	-0.3	5.0	V	GND=0
	AV <sub>DD</sub>	-0.5	15	V	AGND=0
	V <sub>COM</sub>	0	6	V	
Logic Signal Input Level	V <sub>I</sub>	-0.3	V <sub>CC</sub> +0.3	V	

#### 2.1.2 Back-Light Unit

Item	Symbol	Typ.	Max.	Unit	Note
LED current	I <sub>L</sub>	180	---	mA	(1)(2)
LED voltage	V <sub>L</sub>	10.5	12	V	(1)(2)(3)

#### Note

- (1) Permanent damage may occur to the LCD module if beyond this specification. Functional operation should be restricted to the conditions described under normal operating conditions.
- (2) T<sub>a</sub> = 25±2°C
- (3) Test Condition: LED current 180 mA

### 2.2 Environment Absolute Rating

Item	Symbol	Min.	Max.	Unit	Note
Operating Temperature	T <sub>opa</sub>	-20	70	°C	
Storage Temperature	T <sub>stg</sub>	-30	80	°C	

Document Title	HSD080IDW1-B Product Information	Page No.	6/24
Document No.		Revision	1.0

### 3.0 OPTICAL CHARACTERISTICS

#### 3.1 Optical specification

Item	Symbol	Condition	Min.	Typ.	Max.	Unit	Note	
Contrast	CR	$\theta=0$ Normal viewing angle	400	500	—		(1)(2)	
Response time	Rising		$T_R$	—	5	7	msec	(1)(3)
	Falling		$T_F$	—	20	28		
White luminance (Center)	$Y_L$			240	300	—	cd/m <sup>2</sup>	(1)(4)(7) ( $I_L=180mA$ )
Color chromaticity (CIE1931)	White		$W_x$	0.260	0.310	0.360		(1)(4)
		$W_y$	0.280	0.330	0.380			
Viewing angle	Hor.	$\theta_L$	60	70	—			
		$\theta_R$	60	70	—			
	Ver.	$\theta_U$	40	50	—			
		$\theta_D$	50	60	—			
Brightness uniformity	$B_{UNI}$	$\theta=0$	70	—	—	%	(5)(7)	
Optima View Direction	6 O' clock						(6)	

#### 3.2 Measuring Condition

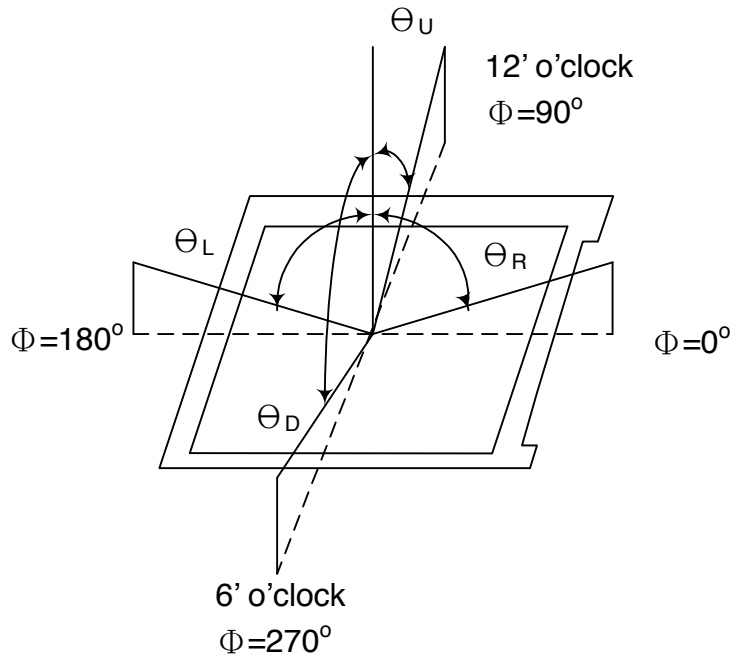
- Measuring surrounding : dark room
- LED current  $I_L$  : 180mA
- Ambient temperature :  $25\pm 2^\circ C$
- 15min. warm-up time.

#### 3.3 Measuring Equipment

- FPM520 of Westar Display technologies, INC., which utilized SR-3 for Chromaticity and BM-5A for other optical characteristics.
- Measuring spot size : 20 ~ 21 m

Document Title	HSD080IDW1-B Product Information	Page No.	7/24
Document No.		Revision	1.0

**Note (1)** Definition of Viewing Angle :

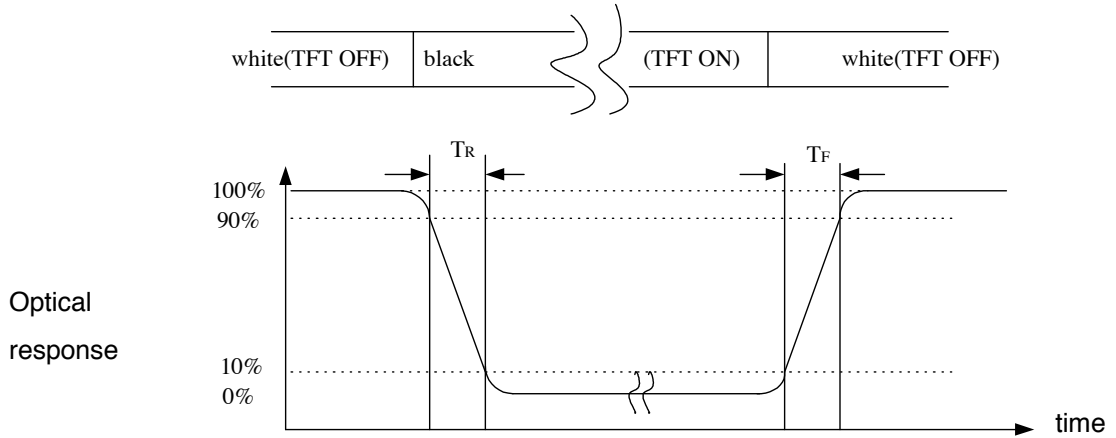


**Note (2)** Definition of Contrast Ratio(CR) :  
measured at the center point of panel

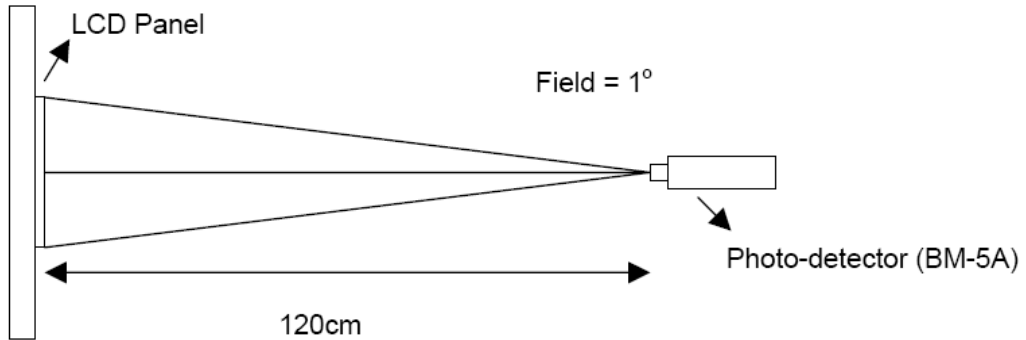
$$CR = \frac{\text{Luminance with all pixels white}}{\text{Luminance with all pixels black}}$$

Document Title	HSD080IDW1-B Product Information	Page No.	8/24
Document No.		Revision	1.0

**Note (3)** Definition of Response Time : Sum of  $T_R$  and  $T_F$



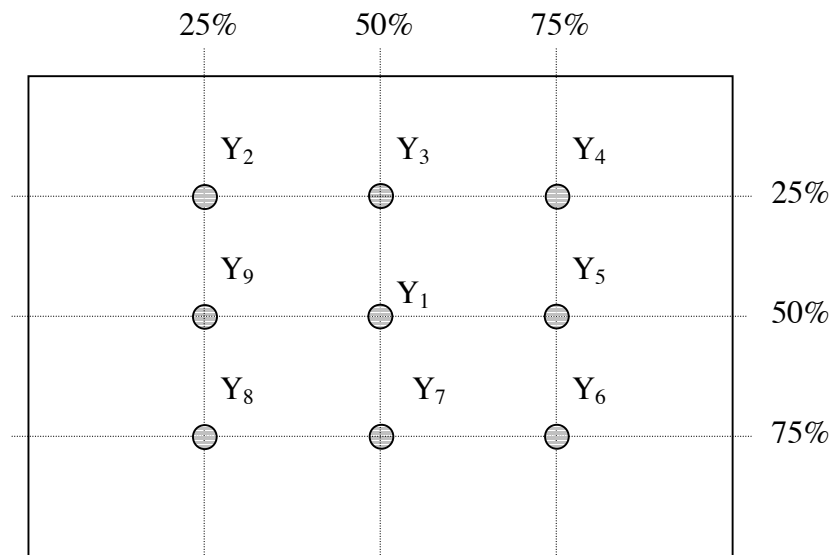
**Note (4)** Definition of optical measurement setup





Document Title	HSD080IDW1-B Product Information	Page No.	9/24
Document No.		Revision	1.0

**Note (5)** Definition of brightness uniformity



(Min Luminance of 9 points)

$$\text{Luminance uniformity} = \frac{\text{(Min Luminance of 9 points)}}{\text{(Max Luminance of 9 points)}} \times 100\%$$

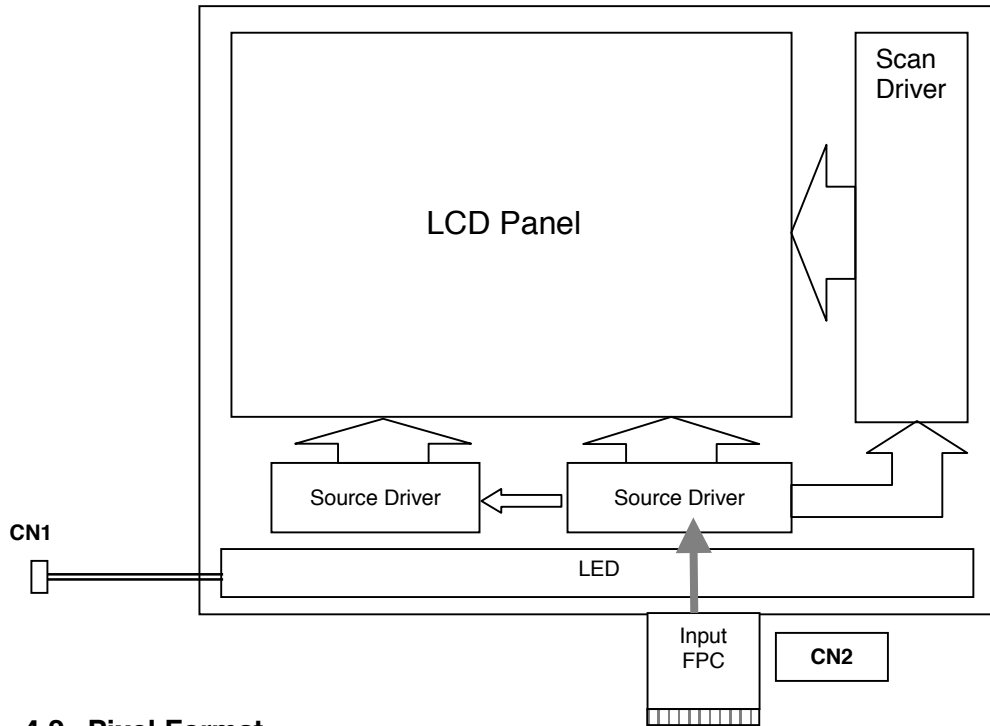
**Note (6)** Rubbing Direction (The different Rubbing Direction will cause the different optima view direction.)

Note (7) Measured at the brightness of the panel when all terminals of LCD panel are electrically open.

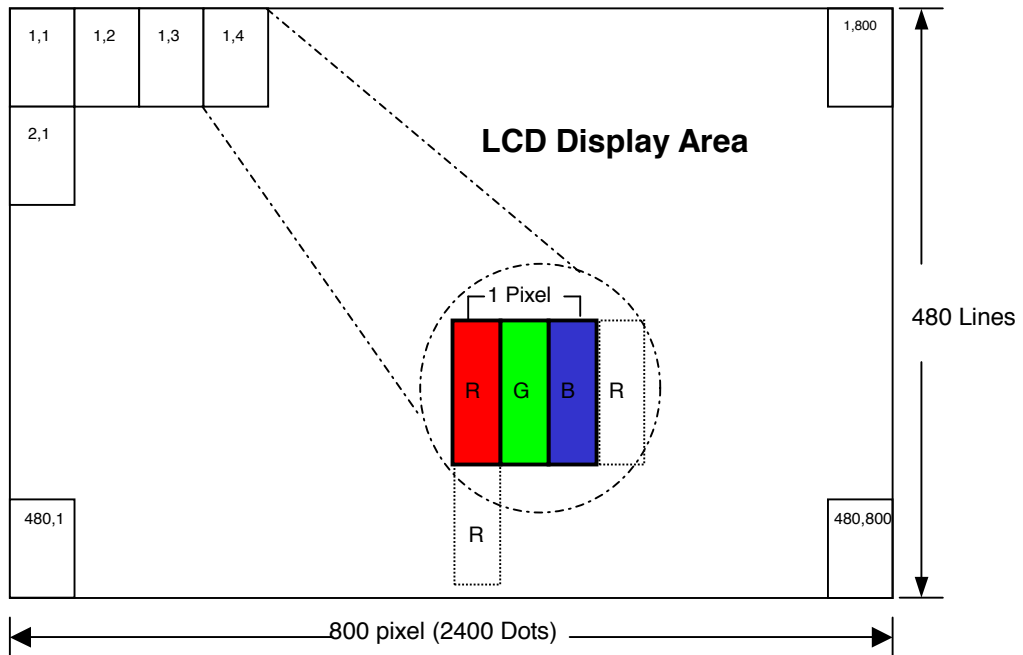
Document Title	HSD080IDW1-B Product Information	Page No.	10/24
Document No.		Revision	1.0

## 4.0 BLOCK DIAGRAM

### 4.1 TFT LCD Module



### 4.2 Pixel Format



Document Title	HSD080IDW1-B Product Information	Page No.	11/24
Document No.		Revision	1.0

## 5.0 INTERFACE PIN CONNECTION

### 5.1 TFT LCD Module

CN2 (Input signal):

FPC Down Connector, (FH28-60S-0.5SH (HIROSE or equivalent), 60pin, pitch = 0.5mm)

Terminal no.	Symbol	I/O	Function
1	AGND	P	Analog Ground
2	AVDD	P	Analog Power
3	VCC	P	Digital Power
4	R0	I	Data Input(LSB)
5	R1	I	Data Input
6	R2	I	Data Input
7	R3	I	Data Input
8	R4	I	Data Input
9	R5	I	Data Input
10	R6	I	Data Input
11	R7	I	Data Input(MSB)
12	G0	I	Data Input(LSB)
13	G1	I	Data Input
14	G2	I	Data Input
15	G3	I	Data Input
16	G4	I	Data Input
17	G5	I	Data Input
18	G6	I	Data Input
19	G7	I	Data Input(MSB)
20	B0	I	Data Input(LSB)
21	B1	I	Data Input
22	B2	I	Data Input
23	B3	I	Data Input
24	B4	I	Data Input
25	B5	I	Data Input
26	B6	I	Data Input
27	B7	I	Data Input(MSB)
28	DCLK	I	Clock input
29	DE	I	Data Enable signal
30	HSD	I	Horizontal sync input. Negative polarity
31	VSD	I	Vertical sync input. Negative polarity
32	MODE3	I	DE/SYNC mode select .normally pull high H:DE mode .L:HSD/VSD mode
33	RSTB	I	Global reset pin. Active low to enter reset state. suggest to connecting with an RC reset circuit for stability .normally pull high.
34	STBYB	I	Standby mode, normally pull high STBYB="1",normal operation STBYB="0",timming control , source driver will turn off, all output are high-Z
35	SHLR	I	Source right or left sequence control .SHLR="L", shift left: last data=S1<-S2...S1200=first data ; SHLR="H", shift right :first data=S1->S2...S1200=last data

Document Title	HSD080IDW1-B Product Information	Page No.	12/24
Document No.		Revision	1.0

Terminal no.	Symbol	I/O	Function
36	VCC	P	Digital Power
37	UPDN	I	gate up or down scan control. UPDN="L" , DOWN shift : G1->G2...->G480 ; UPDN="H", up shift: G1<-G2...<-G480
38	GND	P	Digital Ground
39	AGND	P	Analog Ground
40	AVDD	P	Analog Power
41	VCOM	I	For external VCOM DC input(Optional)
42	DITH	I	Dithering setting DITH="H" 6bit resolution (last 2 bits of input data truncated ) DITH="L" 8bit resolution (default setting)
43	NC	-	Not connect
44	NC	-	Not connect
45	V10	P	Gamma correction voltage reference
46	V9	P	Gamma correction voltage reference
47	V8	P	Gamma correction voltage reference
48	V7	P	Gamma correction voltage reference
49	V6	P	Gamma correction voltage reference
50	V5	P	Gamma correction voltage reference
51	V4	P	Gamma correction voltage reference
52	V3	P	Gamma correction voltage reference
53	V2	P	Gamma correction voltage reference
54	V1	P	Gamma correction voltage reference
55	NC	-	Not connect
56	VGH	P	Positive Power for TFT
57	VCC	P	Digital Power
58	VGL	P	Negative Power for TFT
59	GND	P	Digital Ground
60	NC	-	Not connect

## 5.2 Back-Light Unit

CN1 LED Power Source (**BHSR-02VS-1**) or equivalent

Mating Connector: (**SBHT-002T-P0.5**) or equivalent

Terminal no.	Symbol	Function
1	VL	LED power supply (high voltage)
2	GL	LED power supply (low voltage)

Document Title	HSD080IDW1-B Product Information	Page No.	13/24
Document No.		Revision	1.0

## 6.0 ELECTRICAL CHARACTERISTICS

### 6.1 TFT LCD Module

Item	Symbol	Min.	Typ.	Max.	Unit	Note
Supply Voltage	V <sub>CC</sub>	2.7	3.0	3.5	V	
	V <sub>GH</sub>	14	15	16	V	
	V <sub>GL</sub>	-10	-9	-8	V	
	AV <sub>DD</sub>	9.85	10.0	10.15	V	
VCOM	V <sub>COMin</sub>	4.1	4.3	4.5	V	
Input signal voltage	V <sub>iH</sub>	0.7 V <sub>CC</sub>	-	V <sub>CC</sub>	V	Note (1)
	V <sub>iL</sub>	0	-	0.3 V <sub>CC</sub>	V	
Current of power supply	I <sub>CC</sub>	-	6.13	-	mA	V <sub>CC</sub> = 3.0V
	I <sub>ADD</sub>	-	23.1	-	mA	AV <sub>DD</sub> = 10 V(Black)
	I <sub>GH</sub>	-	0.135	-	mA	V <sub>GH</sub> = 15 V
	I <sub>GL</sub>	-	0.35	-	mA	V <sub>GL</sub> = -9 V
Input level of V1~V5	V <sub>x</sub>	AV <sub>DD</sub> /2	-	AV <sub>DD</sub> -0.1		
Input level of V6~V10	V <sub>x</sub>	0.1	-	AV <sub>DD</sub> /2		

Note (1): HSYNC , VSYNC , DE , Digital Data

Note (2): Be sure to apply the power voltage as the power sequence spec.

Note (3): DGND=AGND=0V

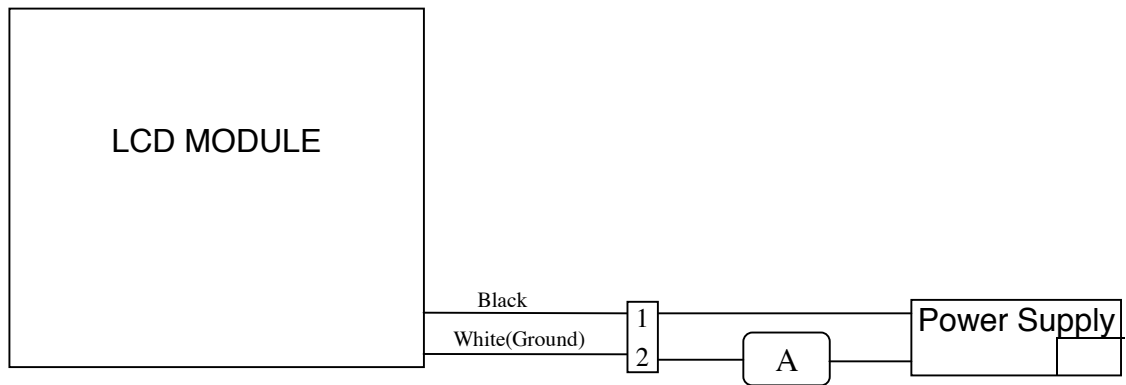
Document Title	HSD080IDW1-B Product Information	Page No.	14/24
Document No.		Revision	1.0

### 6.2 Back-Light Unit

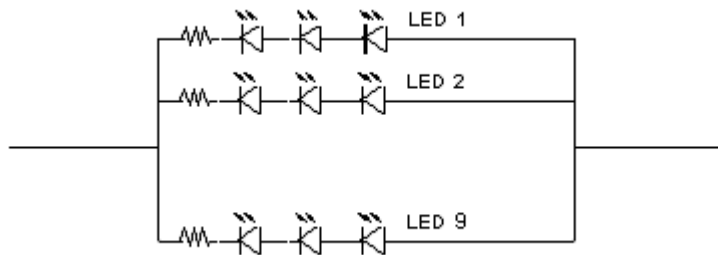
The back-light system is an edge-lighting type with 27 LED.

The characteristics of the LED is shown in the following tables.

Item	Symbol	Min.	Typ.	Max.	Unit	Note
LED current	IL	—	180	—	mA	
LED voltage	VL	—	10.5	12	V	
Operating LED life time	Hr	20000	—	—	Hour	(1)



Note (1) LED life time (Hr) can be defined as the time in which it continues to operate under the condition :  $T_a=25\pm 3^{\circ}\text{C}$ , typical IL value indicated in the above table until the brightness becomes less than 50%.



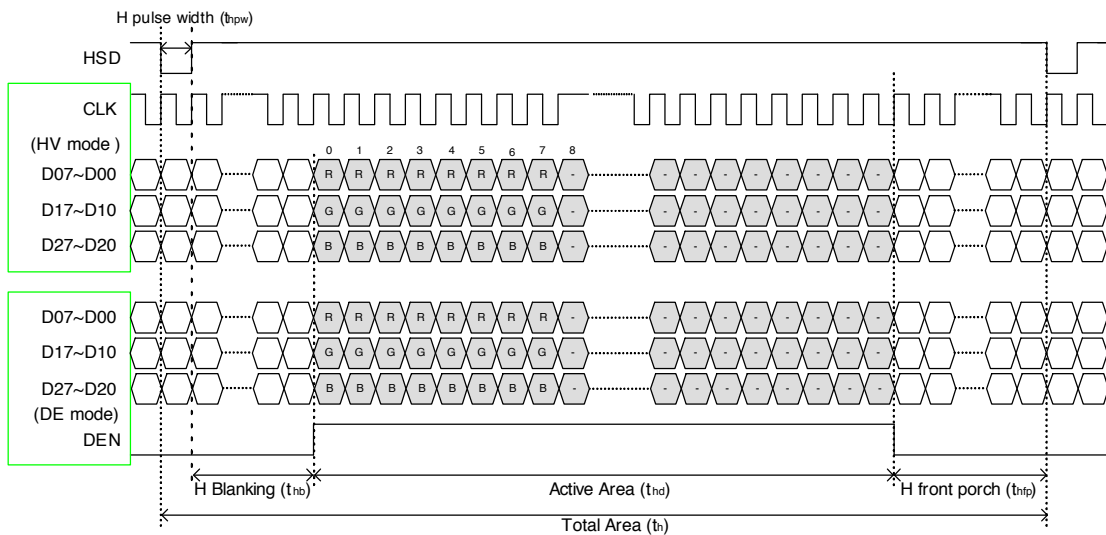
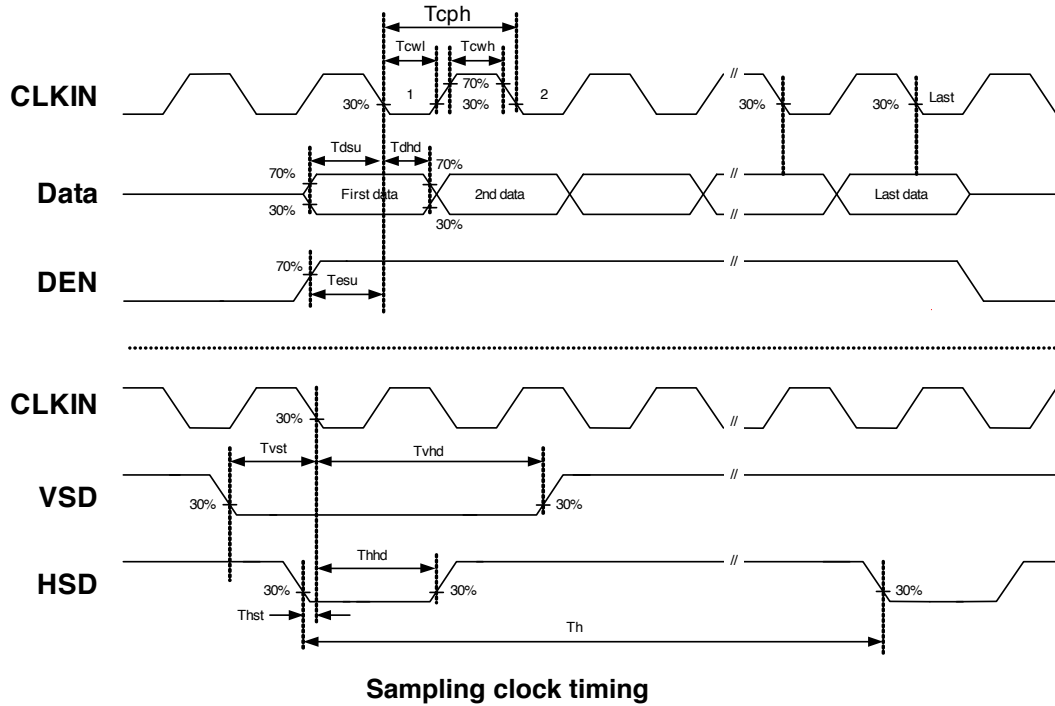
Document Title	HSD080IDW1-B Product Information	Page No.	15/24
Document No.		Revision	1.0

### 6.3 AC Characteristics

Item	Symbol	Min.	Typ.	Max.	Unit	Note
DCLK cycle time	Tcph	25			ns	
DCLK frequency	fclk		30	40	MHz	
DCLK pulse duty	Tcwh	40	50	60	%	
VSD setup time	Tvst	8			ns	
VSD hold time	Tvhd	8			ns	
HSD setup time	Thst	8			ns	
HSD hold time	Thhd	8			ns	
Data setup time	Tdsu	8			ns	
Data hold time	Tdhd	8			ns	
DE setup time	Tesu	8			ns	
DE hold time	Tehd	8			ns	
Horizontal display area	thd		800		Tcph	
HSD period time	th		928		Tcph	
HSD pulse width	thpw	1	48		Tcph	
HSD back porch	thb		40		Tcph	
HSD front porch	thfp		40		Tcph	
Vertical display area	tvd		480		th	
VSD period time	tv		525		th	
VSD pulse width	tvpw		3		th	
VSD back porch	tvb		29		th	
VSD front porch	tvfp		13		th	

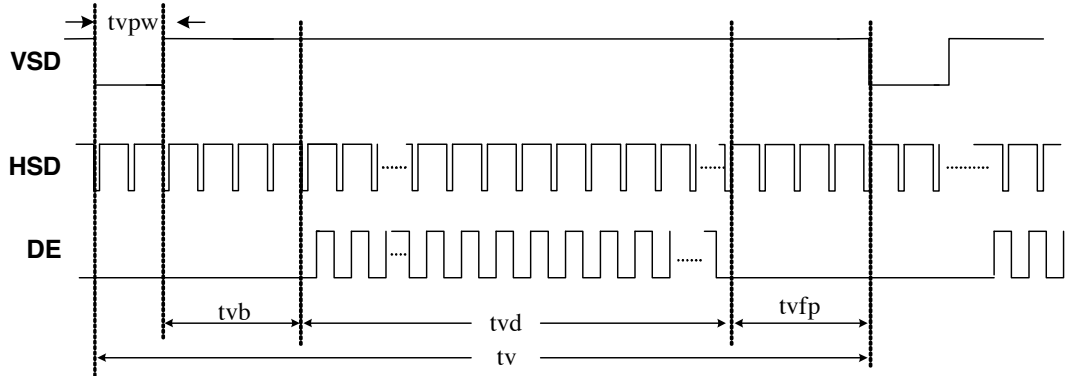
Document Title	HSD080IDW1-B Product Information	Page No.	16/24
Document No.		Revision	1.0

### 6.4 Timing Diagram of Interface Signal





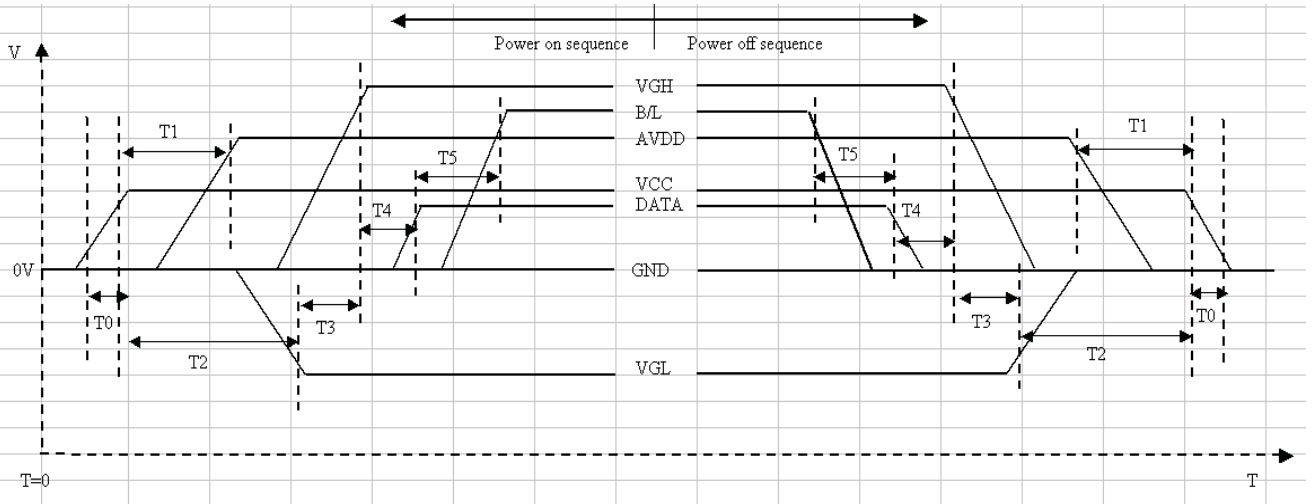
Document Title	HSD080IDW1-B Product Information	Page No.	17/24
Document No.		Revision	1.0



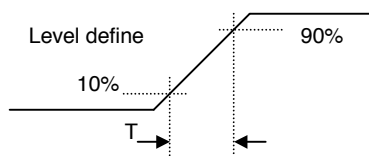
**Vertical timing**

Document Title	HSD080IDW1-B Product Information	Page No.	18/24
Document No.		Revision	1.0

### 6.5 Power Sequence



Item	Min.	Typ.	Max.	Unit
T0	0.5	--	20	msec
T1	16			msec
T2	20			msec
T3	10			msec
T4	10		50	msec
T5	50			msec

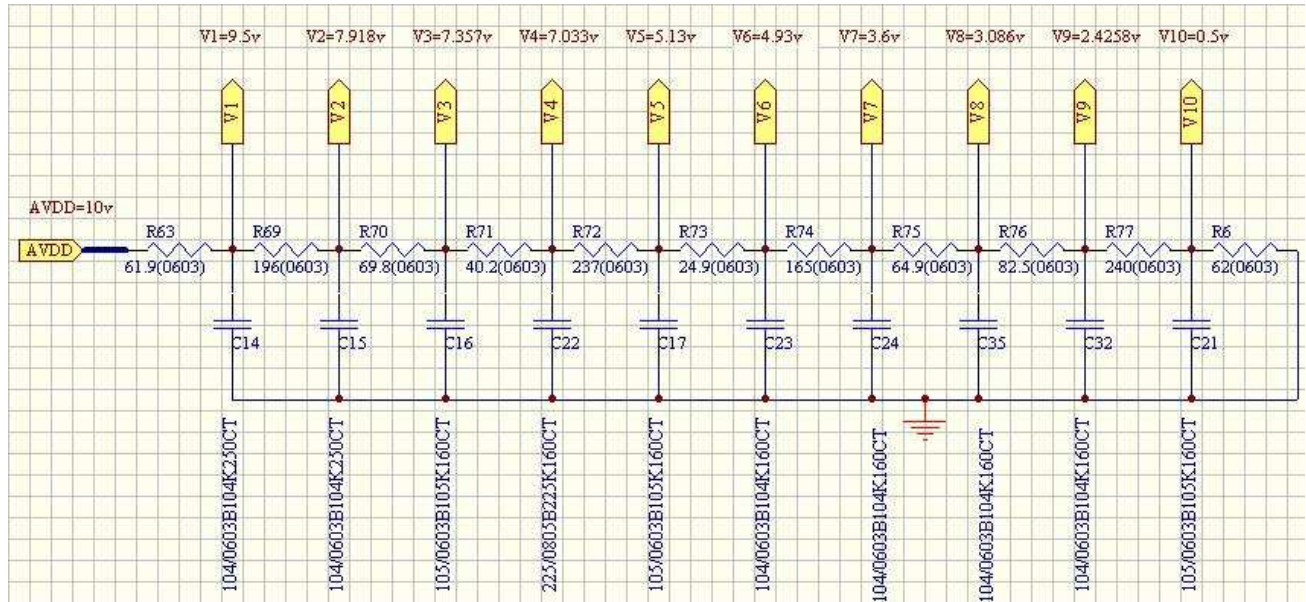


Power On Sequence: VCC-> AVDD -> VGL -> VGH -> Data -> B/L  
 Power Off Sequence: B/L-> Data -> VGH -> VGL -> AVDD -> VCC

Notes: Data include R0~R7, G0~G7, B0~B7, HSD, VSD, DCLK, SHLR, UPDN, DE MODE, RSTB, STBYB, SHLR, UPDN, DITH

Document Title	HSD080IDW1-B Product Information	Page No.	19/24
Document No.		Revision	1.0

### 6.6 Gamma circuit



\*Suggested Gamma Circuit.

Document Title	HSD080IDW1-B Product Information	Page No.	20/24
Document No.		Revision	1.0

### 7.0 Reliability test items

No.	Item	Conditions	Remark
1	High Temperature Storage	Ta=+80°C, 240hrs	
2	Low Temperature Storage	Ta=-30°C, 240hrs	
3	High Temperature Operation	Ta=+70°C, 240hrs	
4	Low Temperature Operation	Ta=-20°C, 240hrs	
5	High Temperature and High Humidity (operation)	Ta=+60°C, 90%RH, 240hrs	
6	Thermal Cycling Test (non operation)	-30°C(30min) → +80°C(30min), 200cycles	
7	Electrostatic Discharge	±200V,200pF(0Ω) 1 time/each terminal	
8	Vibration	1.Random: 1.04Grms, 10~500Hz, X/Y/Z, 30min/each direction 2. Sine: Freq. Range: 8~33.3Hz Stoke: 1.3mm Sweep: 2.9G, 33.3~400Hz X/Z: 2hr, Y: 4hr, cyc: 15min	
9	Shock	100G, 6ms, ±X, ±Y, ±Z 3 time for each direction	JIS C7021, A-10 (Condition A)
10	Vibration (with carton)	Random: 0.015G <sup>2</sup> /Hz, 5~200Hz -6dB/Octave, 200~400Hz XYZ each direction: 2hr	
11	Drop (with carton)	Height: 60cm 1 corner, 3 edges, 6 surfaces	JIS Z0202

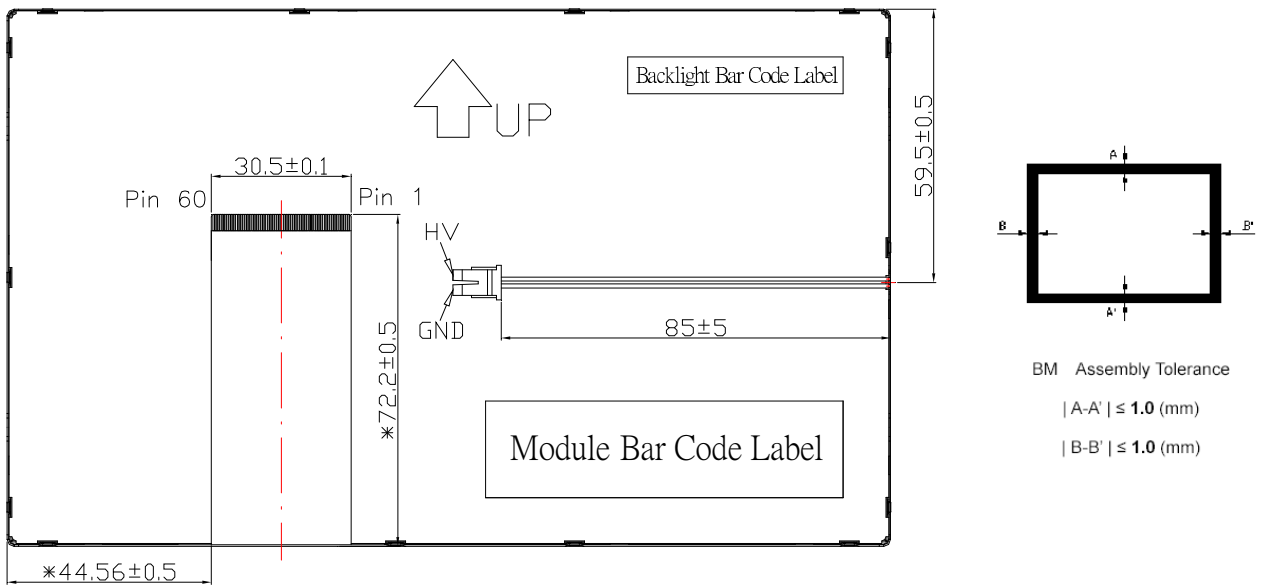
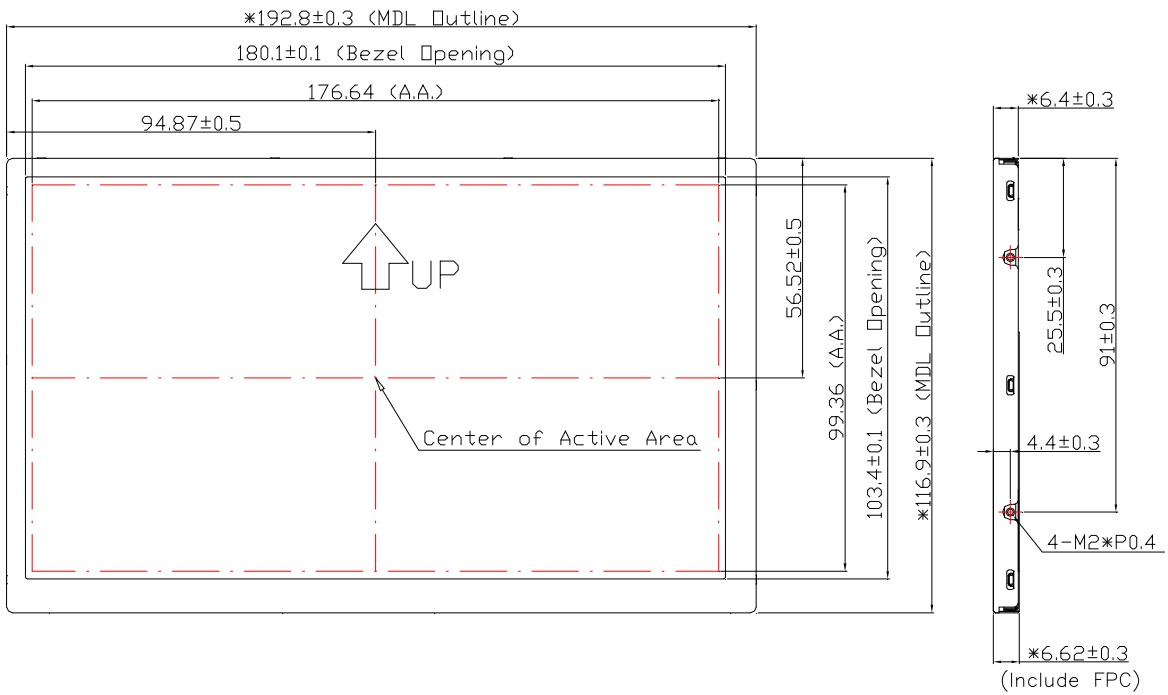
Note: There is no display function NG issue occurred, all the cosmetic specification is judged before the reliability stress.

Document Title	HSD080IDW1-B Product Information	Page No.	21/24
Document No.		Revision	1.0

## 8.0 OUTLINE DIMENSION

### 8.1 Outline Dimension

Unit : mm

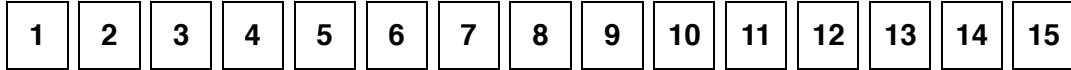


Note : General Tolerance : +/- 0.3mm

Document Title	HSD080IDW1-B Product Information	Page No.	22/24
Document No.		Revision	1.0

## 9.0 LOT MARK

### 9.1 Lot Mark



code 1,2,3,4,5,6: HannStar internal flow control code.

code 7: production location.

code 8: production year.

code 9: production month.

code 10,11,12,13,14,15: serial number.

#### Note (1) Production Year

Year	2001	2002	2003	2004	2005	2006	2007	2008	2009	2010
Mark	1	2	3	4	5	6	7	8	9	A

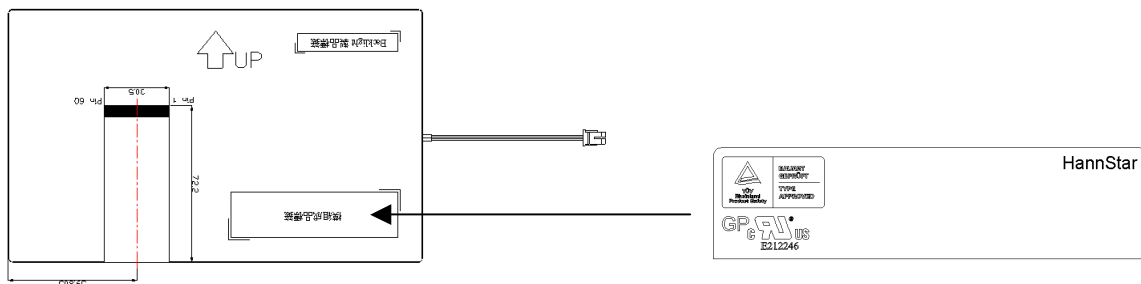
#### Note (2) Production Month

Month	Jan.	Feb.	Mar.	Apr.	May.	Jun.	Jul.	Aug.	Sep.	Oct	Nov.	Dec.
Mark	1	2	3	4	5	6	7	8	9	A	B	C

### 9.2 Location of Lot Mark

(1) The label is attached to the backside of the LCD module.

(2) This is subject to change without prior notice.



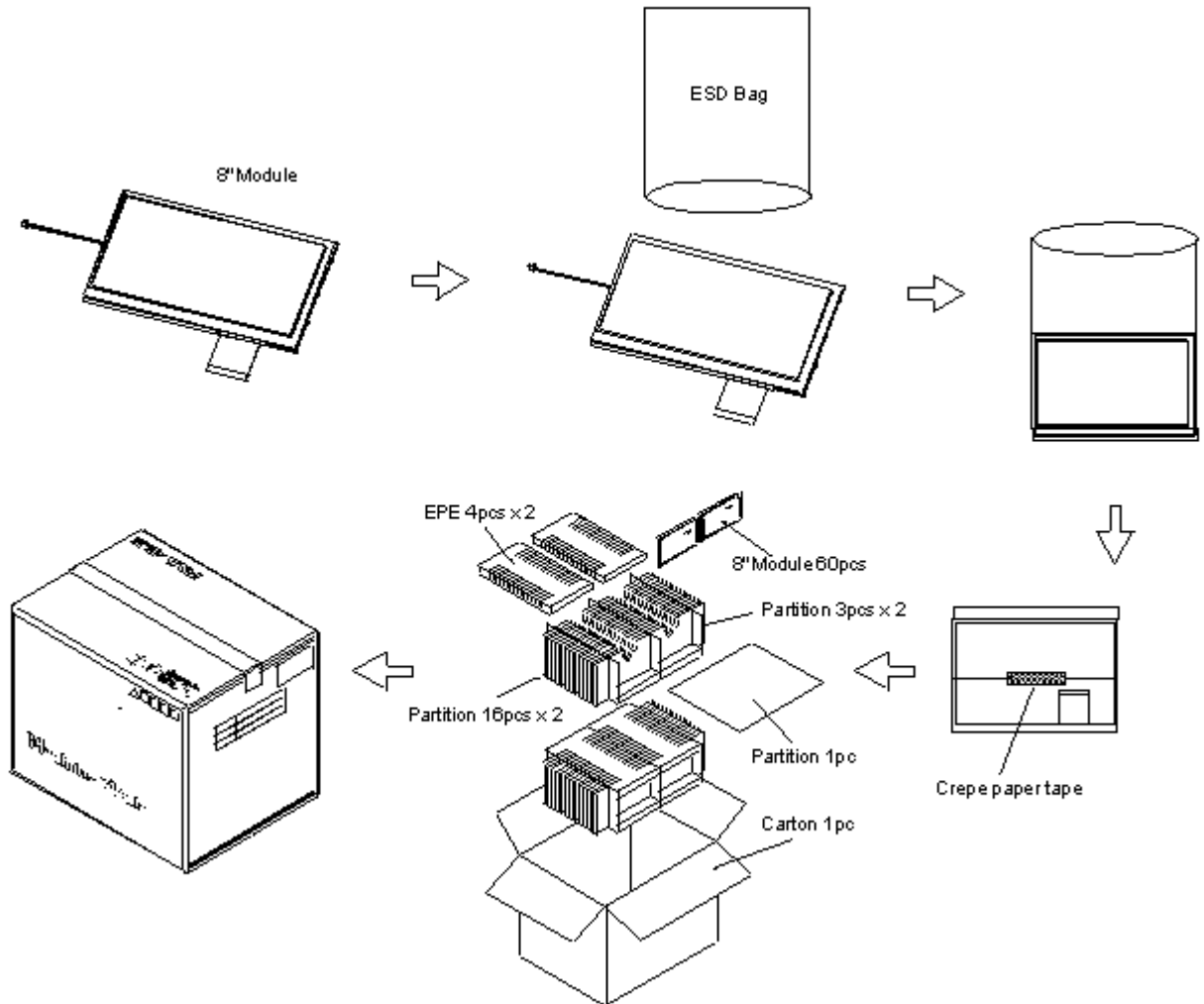
Document Title	HSD080IDW1-B Product Information	Page No.	23/24
Document No.		Revision	1.0

## 10.0 PACKAGE SPECIFICATION

### 10.1 Packing form

- (1) Package quantity in one carton: 60 pieces.
- (2) Carton size: 464±5 mm×359±5 mm×317±5 mm.

### 10.2 Packing assembly drawings





Document Title	HSD080IDW1-B Product Information	Page No.	24/24
Document No.		Revision	1.0

## 11.0 GENERAL PRECAUTION

### 11.1 Use Restriction

This product is not authorized for use in life supporting systems, aircraft navigation control systems, military systems and any other application where performance failure could be life-threatening or otherwise catastrophic.

### 11.2 Disassembling or Modification

Do not disassemble or modify the module. It may damage sensitive parts inside LCD module, and may cause scratches or dust on the display. HannStar does not warrant the module, if customers disassemble or modify the module.

### 11.3 Breakage of LCD Panel

- 11.3.1. If LCD panel is broken and liquid crystal spills out, do not ingest or inhale liquid crystal, and do not contact liquid crystal with skin.
- 11.3.2. If liquid crystal contacts mouth or eyes, rinse out with water immediately.
- 11.3.3. If liquid crystal contacts skin or cloths, wash it off immediately with alcohol and rinse thoroughly with water.
- 11.3.4. Handle carefully with chips of glass that may cause injury, when the glass is broken.

### 11.4 Electric Shock

- 11.4.1. Disconnect power supply before handling LCD module.
- 11.4.2. Do not pull or fold the LED cable.
- 11.4.3. Do not touch the parts inside LCD modules and the fluorescent LED's connector or cables in order to prevent electric shock.

### 11.5 Absolute Maximum Ratings and Power Protection Circuit

- 11.5.1. Do not exceed the absolute maximum rating values, such as the supply voltage variation, input voltage variation, variation in parts' parameters, environmental temperature, etc., otherwise LCD module may be damaged.
- 11.5.2. Please do not leave LCD module in the environment of high humidity and high temperature for a long time.
- 11.5.3. It's recommended to employ protection circuit for power supply.

### 11.6 Operation

- 11.6.1 Do not touch, push or rub the polarizer with anything harder than HB pencil lead.
- 11.6.2 Use fingerstalls of soft gloves in order to keep clean display quality, when persons handle the LCD module for incoming inspection or assembly.
- 11.6.3 When the surface is dusty, please wipe gently with absorbent cotton or other soft material.



Document Title	HSD080IDW1-B Product Information	Page No.	25/24
Document No.		Revision	1.0

11.6.4 Wipe off saliva or water drops as soon as possible. If saliva or water drops contact with polarizer for a long time, they may causes deformation or color fading.

11.6.5 When cleaning the adhesives, please use absorbent cotton wetted with a little petroleum benzine or other adequate solvent.

### **11.7 Mechanism**

Please mount LCD module by using mounting holes arranged in four corners tightly.

### **11.8 Static Electricity**

11.8.1 Protection film must remove very slowly from the surface of LCD module to prevent from electrostatic occurrence.

11.8.2. Because LCD module use CMOS-IC on circuit board and TFT-LCD panel, it is very weak to electrostatic discharge. Please be careful with electrostatic discharge. Persons who handle the module should be grounded through adequate methods.

### **11.9 Strong Light Exposure**

The module shall not be exposed under strong light such as direct sunlight. Otherwise, display characteristics may be changed.

### **11.10 Disposal**

When disposing LCD module, obey the local environmental regulations.