



Document Title	HSD100IFW1-A Formal Specification	Page No.	1/27
Document No.	DC140-000507	Revision	1.2

TO :

Date : **May., 22, 2008**

# **HannStar Product Specification** **(Formal)**

## **10" Color TFT-LCD Module**

Model: **HSD100IFW1**

**-A\*\***

- Note: 1.Please contact HannStar Display Corp. before designing your product based on this module specification.
- 2.The information contained herein is presented merely to indicate the characteristics and performance of our products. No responsibility is assumed by HannStar for any intellectual property claims or other problems that may result from application based on the module described herein.
- 3.The mark " \*\* " of Model means sub-model code.



Document Title	HSD100IFW1-A Formal Specification	Page No.	2/27
Document No.	DC140-000507	Revision	1.2

### Record of Revisions

Rev.	Date	Sub-Model	Description of change
1.0	Apr., 24, 2008	A00	Formal Product Specification was first released
1.1	May, 8, 2008	A00	Page 14 IDD updated Page 20 & Page 21 Label position modification
1.2	May, 22, 2008	A00	Page 4 Power Consumption updated Page 5 Electrical Absolute Rating updated Page 14 Supply Voltage updated Page 15 Switching Characteristics for LVDS Receiver updated Page 24~27 EDID updated

The information contained in this document is the exclusive property of HannStar Display Corporation. It shall not be disclosed, distributed or reproduced in whole or in part without written permission of HannStar Display Corporation.



Document Title	HSD100IFW1-A Formal Specification	Page No.	3/27
Document No.	DC140-000507	Revision	1.2

## Contents

1.0	General description .....	p.4
2.0	Absolute maximum ratings.....	p.5
3.0	Optical characteristics .....	p.6
4.0	Block diagram .....	p.10
5.0	Interface pin connection .....	p.12
6.0	Electrical characteristics .....	p.14
7.0	Reliability test items .....	p.18
8.0	Outline dimension .....	p.19
9.0	Lot mark .....	p.20
10.0	Package specification .....	p.21
11.0	General precaution .....	p.22
12.0	EDID Table .....	p.24

Document Title	HSD100IFW1-A Formal Specification	Page No.	4/27
Document No.	DC140-000507	Revision	1.2

## 1.0 GENERAL DESCRIPTION

### 1.1 Introduction

HannStar Display model HSD100IFW1-A is a color active matrix thin film transistor (TFT) liquid crystal display (LCD) that uses amorphous silicon TFT as a switching device. This model is composed of a TFT LCD panel, a driving circuit and a back light system. This TFT LCD has a 10 (17:10) inch diagonally measured active display area with WSVGA (1024 horizontal by 600 vertical pixel) resolution.

### 1.2 Features

- 10 (17:10 diagonal) inch configuration
- One channel LVDS interface
- 256K color by 6 bit R.G.B signal input
- RoHS Compliance

### 1.3 Applications

- Mobile NB
- Digital Photo frame
- Display terminal for AV application

### 1.4 General information

Item	Specification	Unit	
Outline Dimension	235 x 145.8 x 5.5 (Typ.)	mm	
Display area	220.416(H) x 129.15(V)	mm	
Number of Pixel	1024 RGB (H) x 600(V)	pixels	
Pixel pitch	0.21525(H) x 0.21525(V)	mm	
Pixel arrangement	RGB Vertical stripe		
Display mode	Normally white		
Surface treatment	Antiglare, Hard-Coating (3H) with EWV film		
Weight	253 (Typ.)	g	
Back-light	Single LED (Side-Light type)		
Power Consumption	Logic System	1.3 (Max.)	W
	B/L System	2.7 (Max.)	W

### 1.5 Mechanical Information

Item	Min.	Typ.	Max.	Unit	
Module Size	Horizontal (H)	234.5	235	235.5	mm
	Vertical (V)	145.3	145.8	146.3	mm
	Depth (D)	—	5.5	5.8	mm
Weight	—	253	270	g	

Document Title	HSD100IFW1-A Formal Specification	Page No.	5/27
Document No.	DC140-000507	Revision	1.2

## 2.0 ABSOLUTE MAXIMUM RATINGS

### 2.1 Electrical Absolute Rating

#### 2.1.1 TFT LCD Module

Item	Symbol	Min.	Max.	Unit	Note
LED Power Supply voltage	$V_{LED}$	-0.3	6.0	V	GND=0
Logic Supply voltage	$V_{DD}$	-0.3	6.0	V	

### 2.2 Environment Absolute Rating

Item	Symbol	Min.	Max.	Unit	Note
Operating Temperature	$T_{opa}$	-20	70	°C	
Storage Temperature	$T_{stg}$	-30	80	°C	

Document Title	HSD100IFW1-A Formal Specification	Page No.	6/27
Document No.	DC140-000507	Revision	1.2

### 3.0 OPTICAL CHARACTERISTICS

#### 3.1 Optical specification

Item	Symbol	Condition	Min.	Typ.	Max.	Unit	Note	
Contrast	CR	$\Theta=0$ Normal viewing angle	400	500	—		(1)(2)	
Response time	Rising		$T_R$	—	5	7	msec	(1)(3)
	Falling		$T_F$	—	20	28		
White luminance (Center)	$Y_L$			200	250	—	cd/m <sup>2</sup>	(1)(4) ( $I_L=200mA$ )
Color chromaticity (CIE1931)	White		$W_x$	0.260	0.310	0.360		(1)(4)
		$W_y$	0.280	0.330	0.380			
Viewing angle	Hor.	$\Theta_L$	$CR>10$	60	70	—	(1)(4)	
		$\Theta_R$		60	70	—		
	Ver.	$\Theta_U$		40	50	—		
		$\Theta_D$		50	60	—		
Brightness uniformity	$B_{UNI}$	$\Theta=0$	70	—	—	%	(5)	
Optima View Direction	6 O' clock						(6)	

#### 3.2 Measuring Condition

- Measuring surrounding : dark room
- LED current  $I_L$  : 200mA
- Ambient temperature : 25±2°C
- 15min. warm-up time.

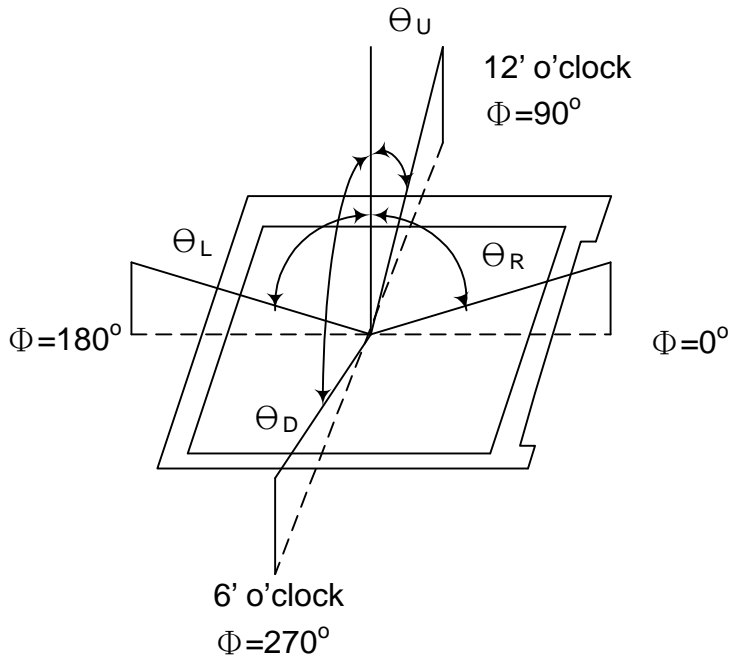
Document Title	HSD100IFW1-A Formal Specification	Page No.	7/27
Document No.	DC140-000507	Revision	1.2

**3.3 Measuring Equipment**

- FPM520 of Westar Display technologies, INC., which utilized SR-3 for Chromaticity and BM-5A for other optical characteristics.

- Measuring spot size : 20 ~ 21 mm

**Note (1)** Definition of Viewing Angle:

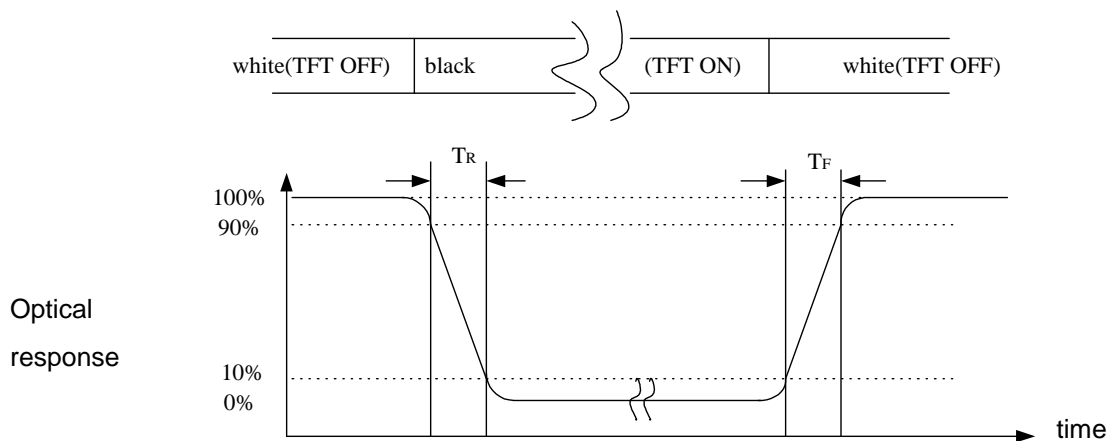


**Note (2)** Definition of Contrast Ratio (CR) :  
measured at the center point of panel

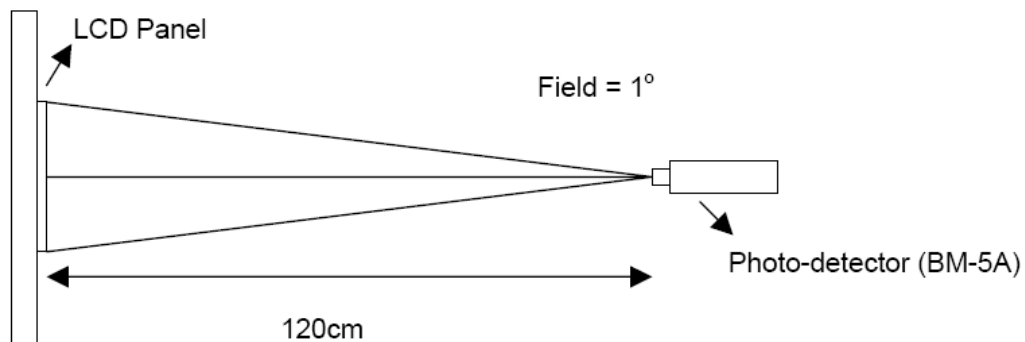
$$CR = \frac{\text{Luminance with all pixels white}}{\text{Luminance with all pixels black}}$$

Document Title	HSD100IFW1-A Formal Specification	Page No.	8/27
Document No.	DC140-000507	Revision	1.2

**Note (3)** Definition of Response Time : Sum of  $T_R$  and  $T_F$



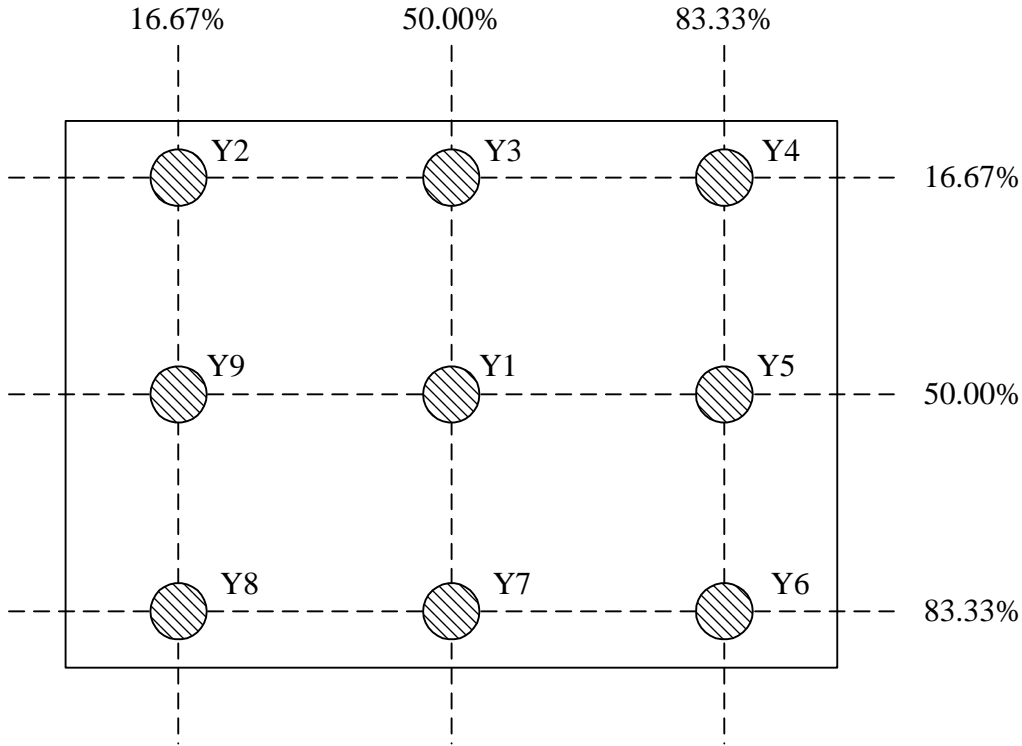
**Note (4)** Definition of optical measurement setup





Document Title	HSD100IFW1-A Formal Specification	Page No.	9/27
Document No.	DC140-000507	Revision	1.2

**Note (5)** Definition of brightness uniformity



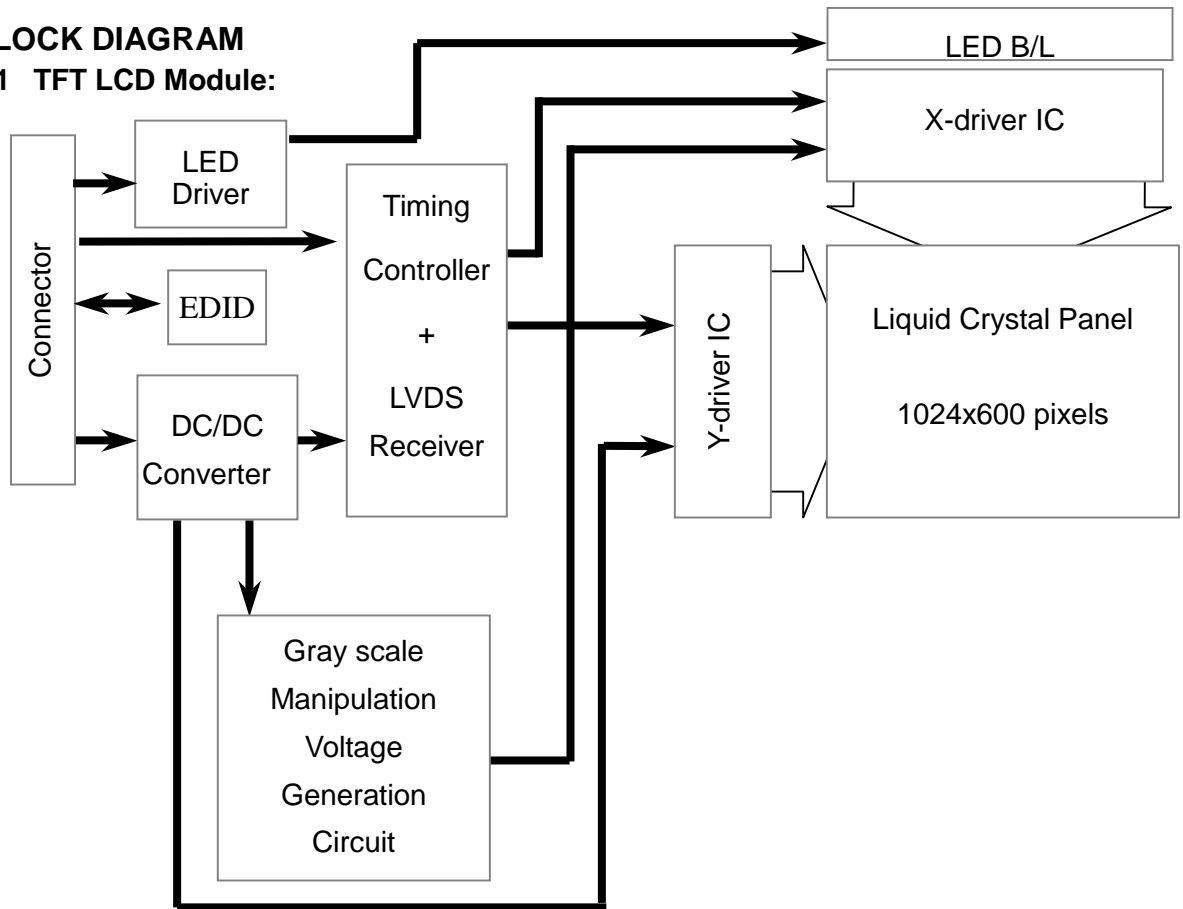
$$\text{Luminance uniformity} = \frac{(\text{Min Luminance of 9 points})}{(\text{Max Luminance of 9 points})} \times 100\%$$

**Note (6)** : Rubbing Direction (The different Rubbing Direction will cause the different optima view direction.)

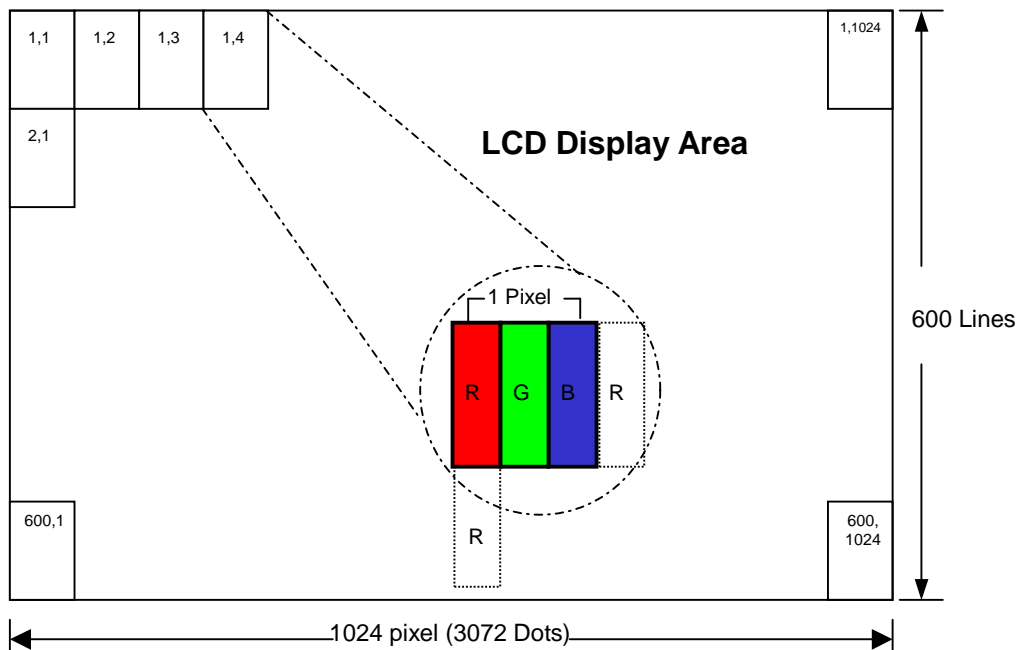
Document Title	HSD100IFW1-A Formal Specification	Page No.	10/27
Document No.	DC140-000507	Revision	1.2

#### 4.0 BLOCK DIAGRAM

##### 4.1 TFT LCD Module:



##### 4.2 Pixel Format



The information contained in this document is the exclusive property of HannStar Display Corporation. It shall not be disclosed, distributed or reproduced in whole or in part without written permission of HannStar Display Corporation.

Document Title	HSD100IFW1-A Formal Specification	Page No.	11/27
Document No.	DC140-000507	Revision	1.2

### 4.3 Relationship Between Displayed Color and Input

	Display	MSB						LSB						Gray scale level							
		R5	R4	R3	R2	R1	R0	G5	G4	G3	G2	G1	G0		B5	B4	B3	B2	B1	B0	
Basic color	Black	L	L	L	L	L	L	L	L	L	L	L	L	L	L	L	L	L	L	-	
	Blue	L	L	L	L	L	L	L	L	L	L	L	L	H	H	H	H	H	H	-	
	Green	L	L	L	L	L	L	H	H	H	H	H	H	L	L	L	L	L	L	-	
	Light Blue	L	L	L	L	L	L	H	H	H	H	H	H	H	H	H	H	H	H	-	
	Red	H	H	H	H	H	H	L	L	L	L	L	L	L	L	L	L	L	L	-	
	Purple	H	H	H	H	H	H	L	L	L	L	L	L	H	H	H	H	H	H	-	
	Yellow	H	H	H	H	H	H	H	H	H	H	H	H	L	L	L	L	L	L	-	
	White	H	H	H	H	H	H	H	H	H	H	H	H	H	H	H	H	H	H	-	
Gray scale of Red	Black	L	L	L	L	L	L	L	L	L	L	L	L	L	L	L	L	L	L	L0	
	Dark ↑ ↓ Light	L	L	L	L	L	H	L	L	L	L	L	L	L	L	L	L	L	L	L1	
		L	L	L	L	L	H	L	L	L	L	L	L	L	L	L	L	L	L	L2	
		⋮	⋮	⋮	⋮	⋮	⋮	⋮	⋮	⋮	⋮	⋮	⋮	⋮	⋮	⋮	⋮	⋮	⋮	⋮	L3...L60
		H	H	H	H	L	H	L	L	L	L	L	L	L	L	L	L	L	L	L61	
	H	H	H	H	H	L	L	L	L	L	L	L	L	L	L	L	L	L	L62		
	Red	H	H	H	H	H	H	L	L	L	L	L	L	L	L	L	L	L	L	Red L63	
	Gray scale of Green	Black	L	L	L	L	L	L	L	L	L	L	L	L	L	L	L	L	L	L	L0
Dark ↑ ↓ Light		L	L	L	L	L	L	L	L	L	L	L	H	L	L	L	L	L	L	L1	
		L	L	L	L	L	L	L	L	L	L	L	H	L	L	L	L	L	L	L2	
		⋮	⋮	⋮	⋮	⋮	⋮	⋮	⋮	⋮	⋮	⋮	⋮	⋮	⋮	⋮	⋮	⋮	⋮	⋮	L3...L60
		L	L	L	L	L	L	H	H	H	H	L	H	L	L	L	L	L	L	L61	
L		L	L	L	L	L	H	H	H	H	H	L	L	L	L	L	L	L	L62		
Green		L	L	L	L	L	L	H	H	H	H	H	H	L	L	L	L	L	Green L63		
Gray scale of Blue		Black	L	L	L	L	L	L	L	L	L	L	L	L	L	L	L	L	L	L	L0
	Dark ↑ ↓ Light	L	L	L	L	L	L	L	L	L	L	L	L	L	L	L	L	L	H	L1	
		L	L	L	L	L	L	L	L	L	L	L	L	L	L	L	L	H	L	L2	
		⋮	⋮	⋮	⋮	⋮	⋮	⋮	⋮	⋮	⋮	⋮	⋮	⋮	⋮	⋮	⋮	⋮	⋮	⋮	L3...L60
		L	L	L	L	L	L	L	L	L	L	L	L	H	H	H	H	L	H	L61	
	L	L	L	L	L	L	L	L	L	L	L	L	H	H	H	H	H	L	L62		
	Blue	L	L	L	L	L	L	L	L	L	L	L	L	H	H	H	H	H	Blue L63		
	Gray scale of White & Black	Black	L	L	L	L	L	L	L	L	L	L	L	L	L	L	L	L	L	L	L0
Dark ↑ ↓ Light		L	L	L	L	L	H	L	L	L	L	L	H	L	L	L	L	L	H	L1	
		L	L	L	L	L	H	L	L	L	L	H	L	L	L	L	L	H	L	L2	
		⋮	⋮	⋮	⋮	⋮	⋮	⋮	⋮	⋮	⋮	⋮	⋮	⋮	⋮	⋮	⋮	⋮	⋮	⋮	L3...L60
		H	H	H	H	L	H	H	H	H	H	L	H	H	H	H	H	L	H	L61	
H		H	H	H	H	L	H	H	H	H	H	L	H	H	H	H	H	L	L62		
White	H	H	H	H	H	H	H	H	H	H	H	H	H	H	H	H	H	White L63			

The information contained in this document is the exclusive property of HannStar Display Corporation. It shall not be disclosed, distributed or reproduced in whole or in part without written permission of HannStar Display Corporation.

Document Title	HSD100IFW1-A Formal Specification	Page No.	12/27
Document No.	DC140-000507	Revision	1.2

## 5.0 INTERFACE PIN CONNECTION

### 5.1 TFT LCD Module :

CN1 (Input signal): FI-XB30SSRL-HF16 (JAE or equivalent)

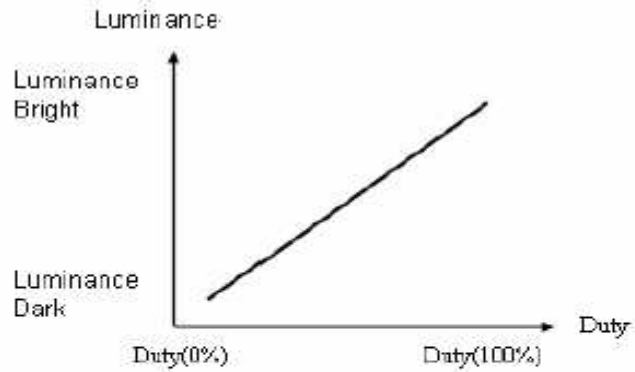
Pin No.	Signal	Description
1	GND	Ground
2	VDD	3.3V Power
3	VDD	3.3V Power
4	V_EDID	3.3V Power for EDID
5	ADJ	Adjust for LED brightness Note
6	CLK_EDID	EDID Clock Input
7	DATA_EDID	EDID Data Input
8	RXIN0-	LVDS Signal - channel0-
9	RXIN0+	LVDS Signal+ channel0+
10	GND	Ground
11	RXIN1-	Data Input channel1-
12	RXIN1+	Data Input channel1+
13	GND	Ground
14	RXIN2-	Data Input channel2-
15	RXIN2+	Data Input channel2+
16	GND	Ground
17	RXCLKIN-	Data Input CLK-
18	RXCLKIN+	Data Input CLK+
19	GND	Ground
20	NC	NC
21	NC	NC
22	GND	Ground
23	GND	Ground
24	VLED	LED Power +5V
25	VLED	LED Power +5V
26	VLED	LED Power +5V
27	NC	NC
28	NC	NC
29	NC	NC
30	NC	NC

**Note :** The brightness of LCD panel could be changed by adjusting ADJ

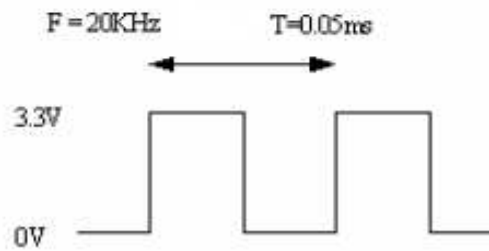
Document Title	HSD100IFW1-A Formal Specification	Page No.	13/27
Document No.	DC140-000507	Revision	1.2

**【 Note 】**

1) ADJ adjust brightness to control Pin · Pulse duty the bigger the brighter.



2) ADJ signal=0~3.3V · operation frequency : 20KHZ



Document Title	HSD100IFW1-A Formal Specification	Page No.	14/27
Document No.	DC140-000507	Revision	1.2

## 6.0 ELECTRICAL CHARACTERISTICS

### 6.1 TFT LCD Module

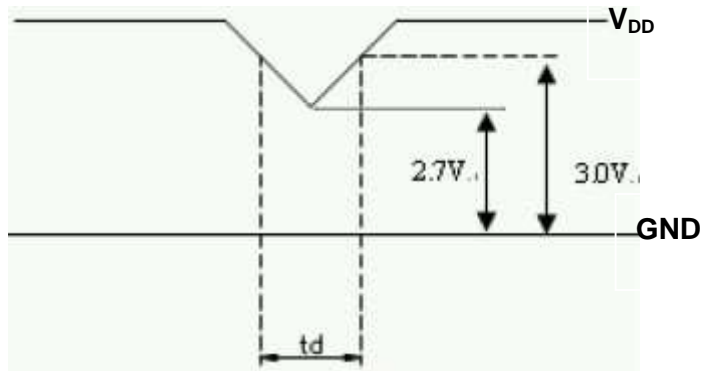
Item	Symbol	Min.	Typ.	Max.	Unit	Note
Supply Voltage	$V_{DD}$	3.0	3.3	3.6	V	Note (2)
	$V_{LED}$	4.7	5.0	5.3	V	
Current of power supply	$I_{DD}$	-	0.3	-	A	$V_{DD} = 3.3V$ · L0 pattern

**Note** : (1) The brightness of LCD panel could be changed by adjusting ADJ.

(2)  $V_{DD}$ .dip condition :

when  $2.7V \leq V_{DD} < 3.0V$  ,  $t_d \leq 10ms$ .

$V_{DD} > 3.0V$  ,  $V_{DD}$ .dip condition should be same as  $V_{DD}$ -turn-con condition.

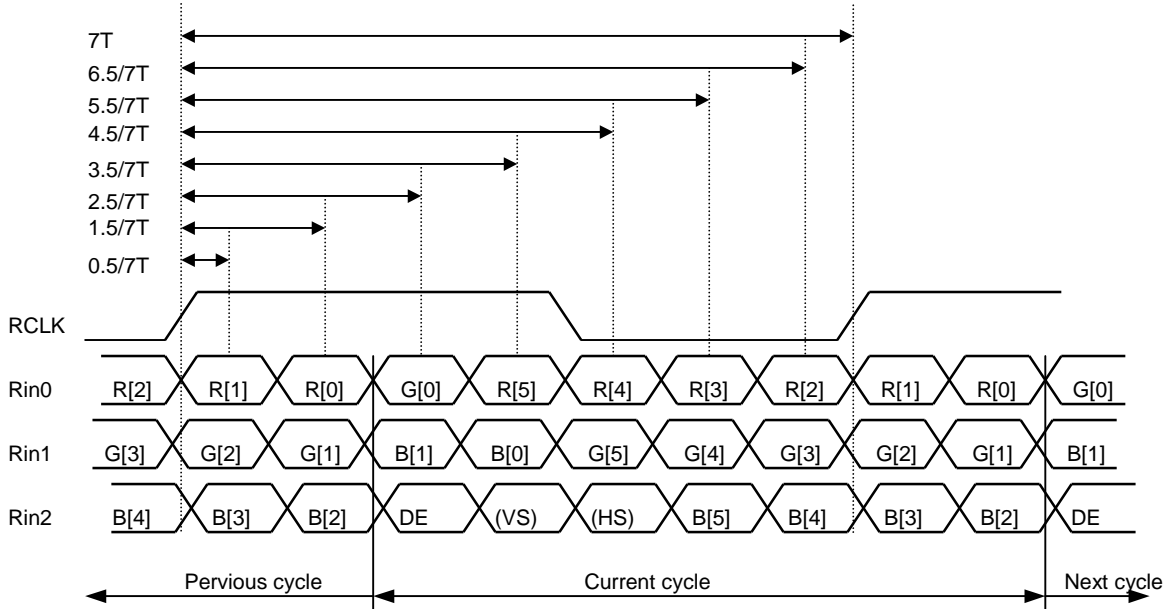


Document Title	HSD100IFW1-A Formal Specification	Page No.	15/27
Document No.	DC140-000507	Revision	1.2

### 6.2 Switching Characteristics for LVDS Receiver

Item	Symbol	Min.	Typ.	Max.	Unit	Conditions
Differential Input High Threshold	$V_{th}$	—	—	100	mV	$V_{CM}=1.2V$
Differential Input Low Threshold	$V_{tl}$	-100	—	—	mV	
Input Current	$I_{IN}$	-10	—	+10	$\mu A$	
Differential input Voltage	$ V_{ID} $	0.1	—	0.6	V	
Common Mode Voltage Offset	$V_{CM}$	$( V_{ID} /2)$	1.25	$1.8-0.4-( V_{ID} /2)$	V	

### 6.3 Bit Mapping & Interface Definition



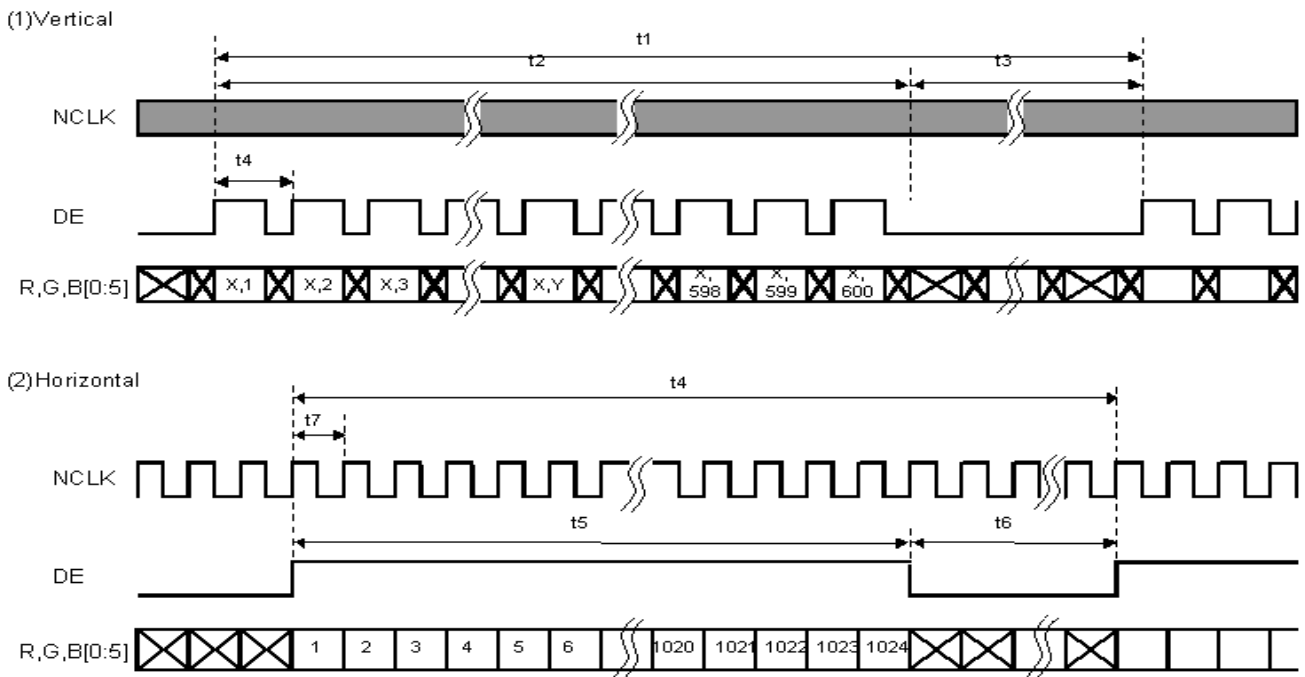
LVDS Receiver Input Timing Definition  
for 6bits LVDS input

Document Title	HSD100IFW1-A Formal Specification	Page No.	16/27
Document No.	DC140-000507	Revision	1.2

### 6.4 Interface Timing (DE mode)

Item	Symbol	Min.	Typ.	Max.	Unit
Frame Rate	--	55	60	65	Hz
Frame Period	t1	612	625	638	line
Vertical Display Time	t2	600	600	600	line
Vertical Blanking Time	t3	12	25	38	line
1 Line Scanning Time	t4	1160	1200	1240	clock
Horizontal Display Time	t5	1024	1024	1024	clock
Horizontal Blanking Time	t6	136	176	216	clock
Clock Rate	t7	39	45	51.42	MHz

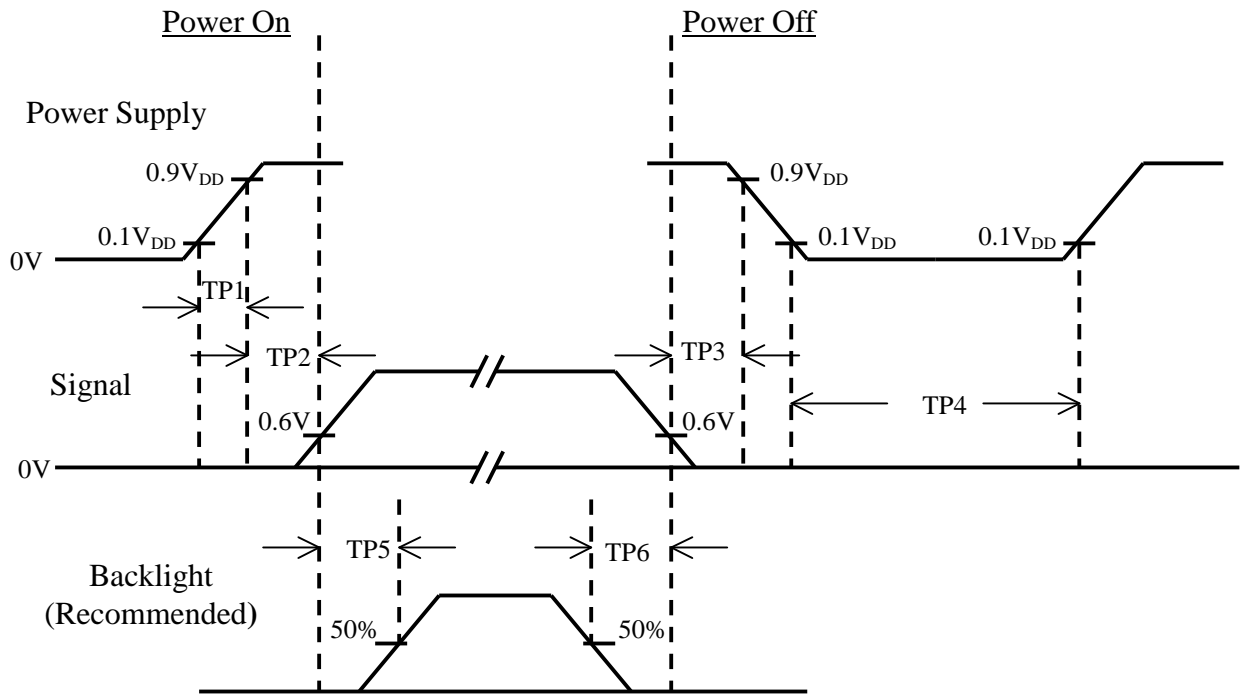
### Timing Diagram of Interface Signal (DE mode)





Document Title	HSD100IFW1-A Formal Specification	Page No.	17/27
Document No.	DC140-000507	Revision	1.2

### 6.5 Power On / Off Sequence



Item	Min.	Typ.	Max.	Unit	Remark
TP1	0.5	--	10	msec	
TP2	0	--	50	msec	
TP3	0	--	50	msec	
TP4	500	--	--	msec	
TP5	200	--	--	msec	
TP6	200	--	--	msec	

- Note: (1) The supply voltage of the external system for the module input should be the same as the definition of V<sub>DD</sub>.
- (2) Apply the lamp voltage within the LCD operation range. When the back-light turns on before the LCD operation or the LCD turns off before the back-light turns off, the display may momentarily become white.
- (3) In case of V<sub>DD</sub> = off level, please keep the level of input signal on the low or keep a high impedance.
- (4) TP4 should be measured after the module has been fully discharged between power off and on period.
- (5) Interface signal shall not be kept at high impedance when the power is on.

Document Title	HSD100IFW1-A Formal Specification	Page No.	18/27
Document No.	DC140-000507	Revision	1.2

### 7.0 Reliability test items

No.	Item	Conditions	Remark
1	High Temperature Storage	Ta=+80°C, 240hrs	
2	Low Temperature Storage	Ta=-30°C, 240hrs	
3	High Temperature Operation	Ta=+70°C, 240hrs	
4	Low Temperature Operation	Ta=-20°C, 240hrs	
5	High Temperature and High Humidity (operation)	Ta=+60°C, 90%RH, 240hrs	
6	Thermal Cycling Test (non operation)	-30°C(30min) → +80°C(30min), 200 cycles	
7	Electrostatic Discharge	±200V,200pF(0Ω) 1 time/connector	
8	Vibration	1.Random: 1.04G, 10~500Hz, X/Y/Z, 30min/each direction 2.Sine: Freq. Range: 8~33.3Hz Stoke: 1.3mm Sweep: 2.9G, 33.3~400Hz X/Z: 2hr, Y: 4hr, cyc: 15min	
9	Shock	Half-Sine, 220G, 2ms, ±XYZ, 1time	
10	Vibration (with carton)	Random: 0.015G <sup>2</sup> /Hz, 5~200Hz -6dB/Octave, 200~400Hz XYZ 各方向 2hr	
11	Drop (with carton)	Height : 60 cm 1 corner, 3 edges, 6 surfaces	JIS Z0202

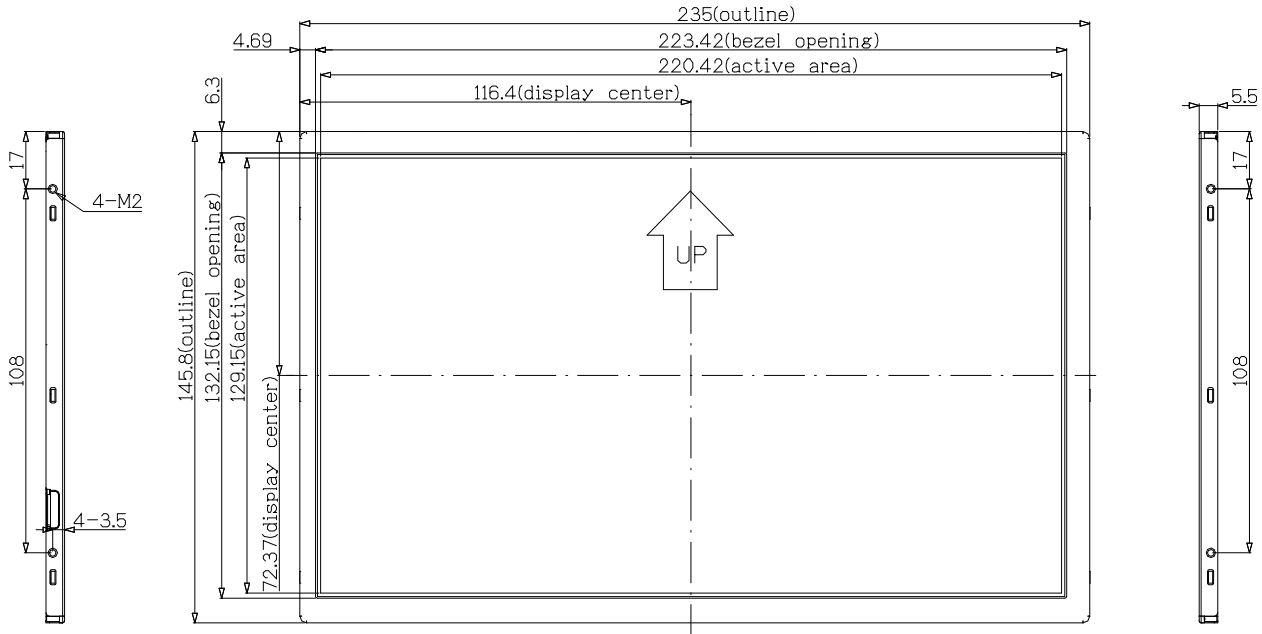
Note: There is no display function NG issue occurred, all the cosmetic specification is judged before the reliability stress.

Document Title	HSD100IFW1-A Formal Specification	Page No.	19/27
Document No.	DC140-000507	Revision	1.2

## 8.0 OUTLINE DIMENSION

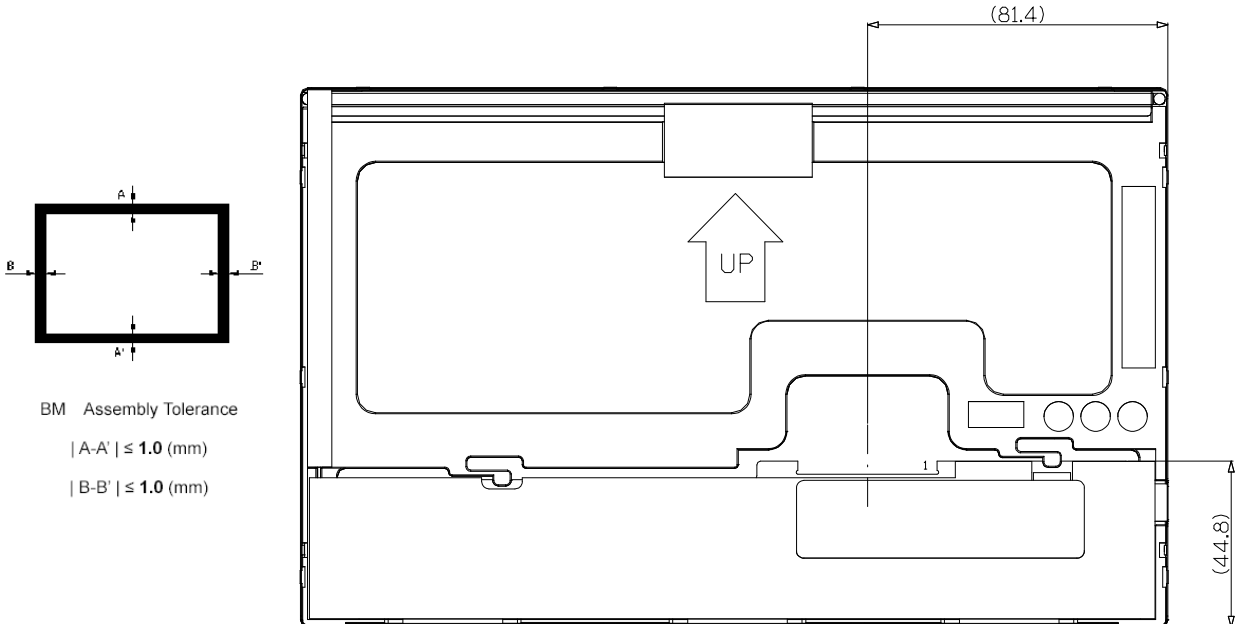
### 8.1 Outline Dimension

Unit : mm



NOTE:

1. GENERAL TOLERANCE :  $\pm 0.3\text{mm}$ .
2. ALLOWED DEPTH OF USERHOLE SCREW INSERTION IS 1.5mm Max.
3. USERHOLE SCREW OF TORQUE = 2.0kgf/cm Max.



Document Title	HSD100IFW1-A Formal Specification	Page No.	20/27
Document No.	DC140-000507	Revision	1.2

## 9.0 LOT MARK

### 9.1 Lot Mark

1	2	3	4	5	6	7	8	9	10	11	12	13	14	15
---	---	---	---	---	---	---	---	---	----	----	----	----	----	----

Code 1,2,3,4,5,6: HannStar internal flow control code.

Code 7: production location.

Code 8: production year.

Code 9: production month.

Code 10,11,12,13,14,15: serial number.

#### Note (1) Production Year

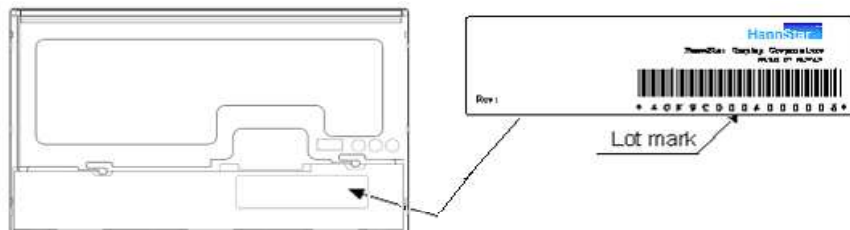
Year	1999	2000	2001	2002	2003	2004	2005	2006	2007	2008
Mark	9	0	1	2	3	4	5	6	7	8

#### Note (2) Production Month

Month	Jan.	Feb.	Mar.	Apr.	May.	Jun.	Jul.	Aug.	Sep.	Oct.	Nov.	Dec.
Mark	1	2	3	4	5	6	7	8	9	A	B	C

### 9.2 Location of Lot Mark

- (1) The label is attached to the backside of the LCD module.
- (2) This is subject to change without prior notice.



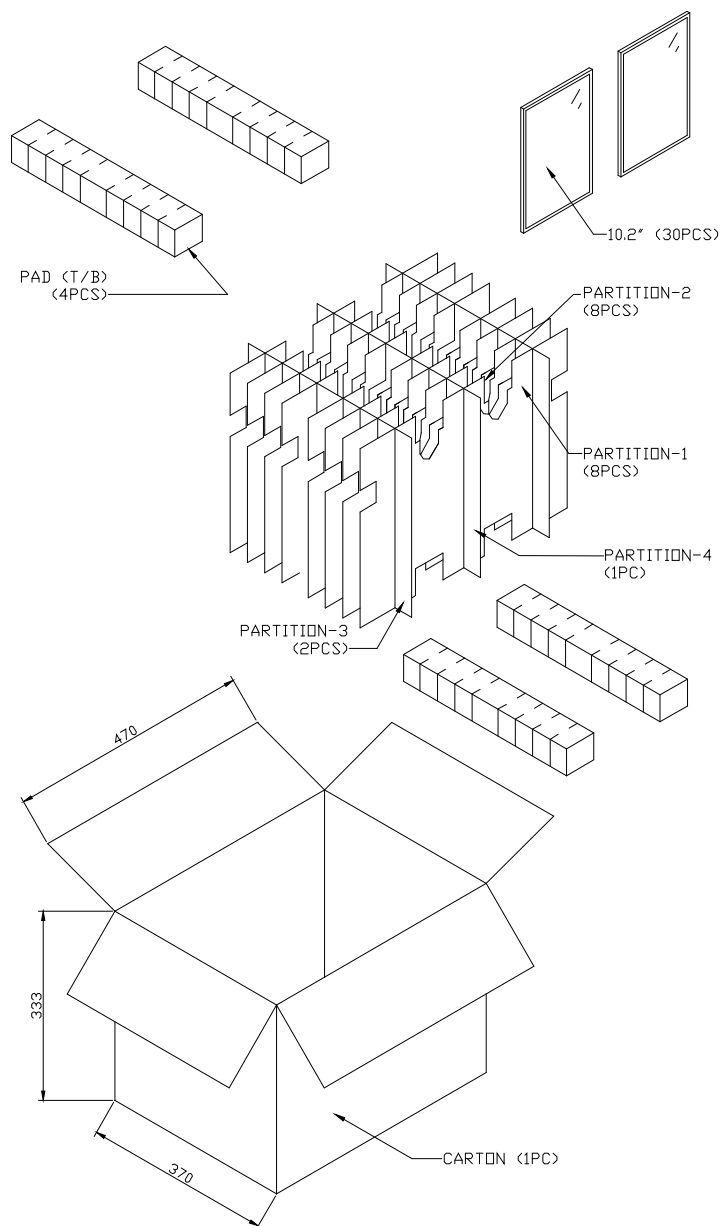
Document Title	HSD100IFW1-A Formal Specification	Page No.	21/27
Document No.	DC140-000507	Revision	1.2

## 10.0 PACKAGE SPECIFICATION

### 10.1 Packing form

- (1) Package quantity in one carton: 30 pieces.
- (2) Carton size: 460±3 mm×361±3 mm×321±3 mm.
- (3) For domestic transportation only.

### 10.2 Packing assembly drawings



The information contained in this document is the exclusive property of HannStar Display Corporation. It shall not be disclosed, distributed or reproduced in whole or in part without written permission of HannStar Display Corporation.

Document Title	HSD100IFW1-A Formal Specification	Page No.	22/27
Document No.	DC140-000507	Revision	1.2

## 11.0 GENERAL PRECAUTION

### 11.1 Use Restriction

This product is not authorized for use in life supporting systems, aircraft navigation control systems, military systems and any other application where performance failure could be life-threatening or otherwise catastrophic.

### 11.2 Disassembling or Modification

Do not disassemble or modify the module. It may damage sensitive parts inside LCD module, and may cause scratches or dust on the display. HannStar does not warrant the module, if customers disassemble or modify the module.

### 11.3 Breakage of LCD Panel

11.3.1. If LCD panel is broken and liquid crystal spills out, do not ingest or inhale liquid crystal, and do not contact liquid crystal with skin.

11.3.2. If liquid crystal contacts mouth or eyes, rinse out with water immediately.

11.3.3. If liquid crystal contacts skin or cloths, wash it off immediately with alcohol and rinse thoroughly with water.

11.3.4. Handle carefully with chips of glass that may cause injury, when the glass is broken.

### 11.4 Electric Shock

11.4.1. Disconnect power supply before handling LCD module.

11.4.2. Do not pull or fold the LED cable.

11.4.3. Do not touch the parts inside LCD modules and the fluorescent LED's connector or cables in order to prevent electric shock.

### 11.5 Absolute Maximum Ratings and Power Protection Circuit

11.5.1. Do not exceed the absolute maximum rating values, such as the supply voltage variation, input voltage variation, variation in parts' parameters, environmental temperature, etc., otherwise LCD module may be damaged.

11.5.2. Please do not leave LCD module in the environment of high humidity and high temperature for a long time.

11.5.3. It's recommended to employ protection circuit for power supply.

### 11.6 Operation

11.6.1 Do not touch, push or rub the polarizer with anything harder than HB pencil lead.

11.6.2 Use fingerstalls of soft gloves in order to keep clean display quality, when persons handle the LCD module for incoming inspection or assembly.

11.6.3 When the surface is dusty, please wipe gently with absorbent cotton or other soft material.

Document Title	HSD100IFW1-A Formal Specification	Page No.	23/27
Document No.	DC140-000507	Revision	1.2

11.6.4 Wipe off saliva or water drops as soon as possible. If saliva or water drops contact with polarizer for a long time, they may causes deformation or color fading.

11.6.5 When cleaning the adhesives, please use absorbent cotton wetted with a little petroleum benzine or other adequate solvent.

### **11.7 Mechanism**

Please mount LCD module by using mounting holes arranged in four corners tightly.

### **11.8 Static Electricity**

11.8.1 Protection film must remove very slowly from the surface of LCD module to prevent from electrostatic occurrence.

11.8.2 Because LCD module use CMOS-IC on circuit board and TFT-LCD panel, it is very weak to electrostatic discharge. Please be careful with electrostatic discharge. Persons who handle the module should be grounded through adequate methods.

### **11.9 Strong Light Exposure**

The module shall not be exposed under strong light such as direct sunlight. Otherwise, display characteristics may be changed.

### **11.10 Disposal**

When disposing LCD module, obey the local environmental regulations.

Document Title	HSD100IFW1-A Formal Specification	Page No.	24/27
Document No.	DC140-000507	Revision	1.2

## 12.0 EDID Table

Byte# (Decimal)	Byte# (HEX)	Field Name & Comments	Value (HEX)	Value (BIN)	Value (DEC)
0	0	Header	00	00000000	0
1	1	Header	FF	11111111	255
2	2	Header	FF	11111111	255
3	3	Header	FF	11111111	255
4	4	Header	FF	11111111	255
5	5	Header	FF	11111111	255
6	6	Header	FF	11111111	255
7	7	Header	00	00000000	0
8	8	EISA Manufacture Code LSB (3 character ID = HSD)	22	00100010	34
9	9	Compressed ASCII	64	01100100	100
10	0A	Product Code "1001"	E9	11101001	233
11	0B	Hex, LSB first	03	00000011	3
12	0C	LCD module Serial No - Preferred but Optional	00	00000000	0
13	0D	LCD module Serial No - Preferred but Optional	00	00000000	0
14	0E	LCD module Serial No - Preferred but Optional	00	00000000	0
15	0F	LCD module Serial No - Preferred but Optional	00	00000000	0
16	10	Week of manufacture=18	12	00010010	18
17	11	Year of manufacture = 2008	12	00010010	18
18	12	EDID Structure Version # = 1	01	00000001	1
19	13	EDID revision # = 3	03	00000011	3
20	14	Video input definition = Digital input, CRGB	80	10000000	128
21	15	Max H image size = 22cm	16	00010110	22
22	16	Max V image size = 13cm	0D	00001101	13
23	17	Display Gamma = 2.2	78	01111000	120
24	18	Feature support (DPMS) = Active off, RGB color	0A	00001010	10
25	19	Red/green low bits (10000110)	86	10000110	134
26	1A	Blue/white low bits (00100110)	26	00100110	38
27	1B	Red x , Red x = 0.58	94	10010100	148
28	1C	Red y , Red y = 0.34	57	01010111	87
29	1D	Green x , Green x = 0.317	51	01010001	81
30	1E	Green y , Green y = 0.564	90	10010000	144
31	1F	Blue x , Blue x = 0.152	27	00100111	39

The information contained in this document is the exclusive property of HannStar Display Corporation. It shall not be disclosed, distributed or reproduced in whole or in part without written permission of HannStar Display Corporation.



Document Title	HSD100IFW1-A Formal Specification	Page No.	25/27
Document No.	DC140-000507	Revision	1.2

Byte# (Decimal)	Byte# (HEX)	Field Name & Comments	Value (HEX)	Value (BIN)	Value (DEC)
32	20	Blue y , Blue y = 0.131	21	00100001	33
33	21	White x , White x = 0.31	4F	01001111	79
34	22	White y , White y = 0.33	54	01010100	84
35	23	Established timing 1	00	00000000	0
36	24	Established timing 2	00	00000000	0
37	25	Manufacturer's timings	00	00000000	0
38	26	Standard timing #1 was not used	01	00000001	1
39	27		01	00000001	1
40	28	Standard timing #2 was not used	01	00000001	1
41	29		01	00000001	1
42	2A	Standard timing #3 was not used	01	00000001	1
43	2B		01	00000001	1
44	2C	Standard timing #4 was not used	01	00000001	1
45	2D		01	00000001	1
46	2E	Standard timing #5 was not used	01	00000001	1
47	2F		01	00000001	1
48	30	Standard timing #6 was not used	01	00000001	1
49	31		01	00000001	1
50	32	Standard timing #7 was not used	01	00000001	1
51	33		01	00000001	1
52	34	Standard timing #8 was not used	01	00000001	1
53	35		01	00000001	1
54	36	Detailed timing/monitor (descriptor #1)	94	10010100	148
55	37	1024x600 @60Hz: Pixel Clock = 45 MHz	11	00010001	17
56	38	Horizontal active=1024 pixels (L8b)	00	00000000	0
57	39	Horizontal blanking= 176 pixels (L8b)	B0	10110000	176
58	3A	HA (U4b): HB (U4b)	40	01010000	64
59	3B	Vertical active=600 lines (L8b)	58	01011000	88
60	3C	Vertical blanking= 25 lines (L8b)	19	00011001	25
61	3D	HA (U4b): HB (U4b)	20	00100000	32
62	3E	H sync. Offset= 53 pixels	35	00110101	53
63	3F	H sync. Width= 35 pixels	23	00100011	35

The information contained in this document is the exclusive property of HannStar Display Corporation. It shall not be disclosed, distributed or reproduced in whole or in part without written permission of HannStar Display Corporation.

Document Title	HSD100IFW1-A Formal Specification	Page No.	26/27
Document No.	DC140-000507	Revision	1.2

Byte# (Decimal)	Byte# (HEX)	Field Name & Comments	Value (HEX)	Value (BIN)	Value (DEC)
64	40	V sync. Offset= 4 lines	45	01000101	69
65	41	V sync. Width= 5 lines	00	00000000	0
66	42	H image size = 220 mm (L8b)	DC	11011100	220
67	43	V image size = 129 mm (L8b)	81	10000001	129
68	44	Horizontal Image (U4b): Vertical Image (U4b)	00	00000000	0
69	45	No Horizontal Border=0	00	00000000	0
70	46	No Vertical Border=0	00	00000000	0
71	47	Non-interlaced, Normal display, No stereo, Digital separate sync, H/V pol Negatives	19	00011000	25
72	48	Detailed timing/monitor (descriptor #2)	16	00010110	22
73	49	1024x600 @65Hz: Pixel Clock = 51.42 MHz	14	00010100	20
74	4A	Horizontal active=1024 pixels (L8b)	00	00000000	0
75	4B	Horizontal blanking=216pixels (L8b)	D8	11011000	216
76	4C	HA (U4b): HB (U4b)	40	01000000	64
77	4D	Vertical active=600 lines (L8b)	58	01011000	88
78	4E	Vertical blanking= 38 lines (L8b)	26	00100110	38
79	4F	HA (U4b): HB (U4b)	20	00100000	32
80	50	H sync. Offset= 93 pixels	5D	01011101	93
81	51	H sync. Width= 35 pixels	23	00100011	35
82	52	V sync. Offset= 17lines	15	00010101	21
83	53	V sync. Width=5 lines	04	00000100	4
84	54	H image size = 220 mm (L8b)	DC	11011100	220
85	55	V image size = 129 mm (L8b)	81	10000001	129
86	56	Horizontal Image (U4b): Vertical Image (U4b)	00	00000000	0
87	57	No Horizontal Border=0	00	00000000	0
88	58	No Vertical Border=0	00	00000000	0
89	59	EDID Module revision	00	00000000	0
90	5A	Flag	00	00000000	0
91	5B	Flag	00	00000000	0
92	5C	Flag	00	00000000	0
93	5D	Dummy Descriptor	FE	11111110	254
94	5E	Flag	00	00000000	0
95	5F	PC Maker P/N 1 <sup>st</sup> Character =M	00	00000000	0

The information contained in this document is the exclusive property of HannStar Display Corporation. It shall not be disclosed, distributed or reproduced in whole or in part without written permission of HannStar Display Corporation.

Document Title	HSD100IFW1-A Formal Specification	Page No.	27/27
Document No.	DC140-000507	Revision	1.2

Byte# (Decimal)	Byte# (HEX)	Field Name & Comments	Value (HEX)	Value (BIN)	Value (DEC)
96	60	PC Maker P/N 2 <sup>nd</sup> Character =3	00	00000000	0
97	61	PC Maker P/N 3 <sup>rd</sup> Character =4	00	00000000	0
98	62	PC Maker P/N 4 <sup>th</sup> Character =9	00	00000000	0
99	63	PC Maker P/N 5 <sup>th</sup> Character =5	00	00000000	0
100	64	LCD Supplier EEDID Revision # =1.0	00	00000000	0
101	65	Manufacturer P/N = 1	00	00000000	0
102	66	Manufacturer P/N = 5	00	00000000	0
103	67	Manufacturer P/N = P	00	00000000	0
104	68	Manufacturer P/N = X	00	00000000	0
105	69	Manufacturer P/N = 1	00	00000000	0
106	6A	Manufacturer P/N = 4	00	00000000	0
107	6B	Manufacturer P/N(If <13char, then terminate with ASCII code, set remaining=20h)	00	00000000	0
108	6C	Flag	00	00000000	0
109	6D	Flag	00	00000000	0
110	6E	Flag	00	00000000	0
111	6F	Data Type Tag	FE	11111110	254
112	70	Flag	00	00000000	0
113	71	SMBUS Value = 20 nit	00	00000000	0
114	72	SMBUS Value = 28 nit	00	00000000	0
115	73	SMBUS Value = 40 nit	00	00000000	0
116	74	SMBUS Value = 56 nit	00	00000000	0
117	75	SMBUS Value = 79 nit	00	00000000	0
118	76	SMBUS Value = 111 nit	00	00000000	0
119	77	SMBUS Value = 156 nit	00	00000000	0
120	78	SMBUS Value = max nit	00	00000000	0
121	79	Number of LVDS channels=1	01	00000001	1
122	7A	Panel Self Test (00-Not Present, 01-Present)	00	00000000	0
123	7B	(If<13 char, then terminate with ASCII code 0Ah,set remaining char=20h)	00	00000000	0
124	7C	(If<13 char, then terminate with ASCII code 0Ah,set remaining char=20h)	00	00000000	0
125	7D	(If<13 char, then terminate with ASCII code 0Ah,set remaining char=20h)	00	00000000	0
126	7E	Extension Flag = 00	00	00000000	0
127	7F	Checksum	C8	11001000	200

The information contained in this document is the exclusive property of HannStar Display Corporation. It shall not be disclosed, distributed or reproduced in whole or in part without written permission of HannStar Display Corporation.