



Document Title	HSD150SX84 Product Information	Page No.	1 / 32
Document No.	---	Revision	1.0

TO:

Date : JAN. 28, 2003

HannStar Product Information

Model : **HSD150SX84**
-B

- Note :
1. The information contained herein is preliminary and may be changed without prior notices.
 2. Please contact HannStar Display Corp. before designing your product based on this module specification.
 3. The information contained herein is presented merely to indicate the characteristics and performance of our products. No responsibility is assumed by HannStar for any intellectual property claims or other problems that may result from application based on the module described herein.



Document Title	HSD150SX84 Product Information	Page No.	2 / 32
Document No.	---	Revision	1.0

Record of Revisions

Rev.	Updated No.	Date	Description of change
1.0	---	JAN. 028. 2003	Product Information of HSD150SX84-B was first issued.



Document Title	HSD150SX84 Product Information	Page No.	3 / 32
Document No.	---	Revision	1.0

Contents

1.0	General descriptions	p.4
2.0	Absolute maximum ratings	p.5
3.0	Optical characteristics	p.7
4.0	Block diagram	p.11
5.0	I/O Connection Pin assignment	p.14
6.0	Electrical Characteristics	p.16
7.0	Outline dimension	p.25
8.0	Lot Mark	p.27
9.0	Package Specification	P.28
10.0	General precaution	p.31

Document Title	HSD150SX84 Product Information	Page No.	4 / 32
Document No.	---	Revision	1.0

1.0 GENERAL DESCRIPTIONS

1.1 Introduction

HannStar Display model HSD150SX84-B is a color active matrix thin film transistor (TFT) liquid crystal display (LCD) that uses amorphous silicon TFT as a switching device. This model is composed of a TFT LCD panel, the voltage reference, common voltage, DC-DC converter, column, and row driver circuit. This TFT LCD has a 15-inch diagonally measured active display area with XGA resolution (768 vertical by 1024 horizontal pixel array).

1.2 Features

- 15" XGA TFT LCD panel
- 2 CCFLs Backlight system
- Supported XGA (V:768 lines, H:1024 pixels) resolution
- Supported to 75Hz refresh rate
- Without LCD Timing Controller

1.3 General information

Item	Specification	Unit
Outline dimension	321.0 × 249.0 × 10.5 (typ.)	mm
Display area	304.1(H) x 228.1(V) (15.0" diagonal)	mm
Number of Pixel	1024(H) x 768(V)	pixels
Pixel pitch	0.297(H) x 0.297(V)	mm
Pixel arrangement	RGB Vertical stripe	
Display color	6-bits driver	
Display mode	Normally white	
Surface treatment	Antiglare, Hard-Coating(3H)	
Weight	950 (typ.)	g
Back-light	2-CCFLs, Top & bottom edge side	
Input signal	2-ch 6bit TTL , Driver IC Control Signal	
Power consumption	11.0(typ.), with back light	W
Optimum viewing direction	6 o'clock	

1.4 Applications

- Desktop monitors
- Display terminals for AV applications
- Monitors for industrial applications

Document Title	HSD150SX84 Product Information	Page No.	5 / 32
Document No.	---	Revision	1.0

1.5 Mechanical Information

Item		Min.	Typ.	Max.	Unit
Module Size	Horizontal(H)	--	321.0	--	mm
	Vertical(V)	--	249.0	--	mm
	Depth(D)	--	10.5	--	mm
Weight (without inverter)		--	950	--	g

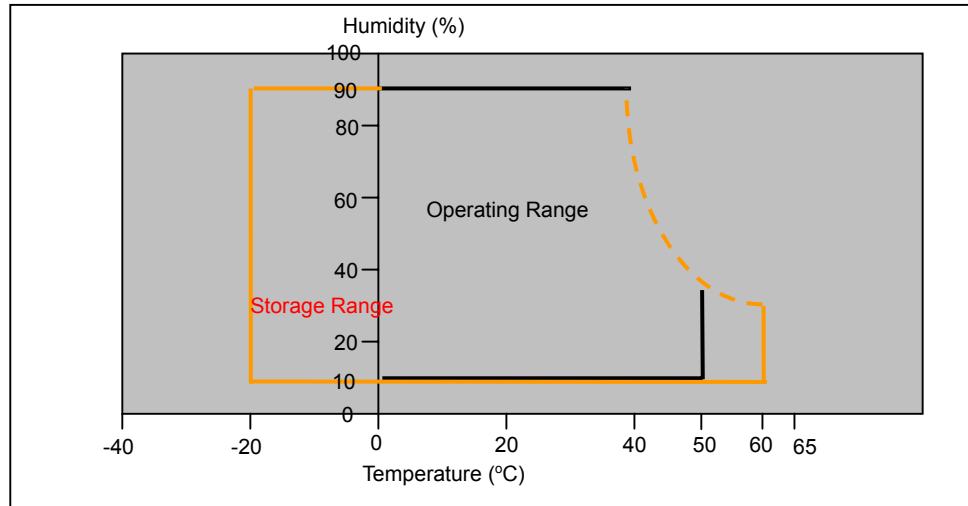
2.0 ABSOLUTE MAXIMUM RATINGS

2.1 Absolute Rating of Environment

Item	Symbol	Min.	Max.	Unit	Note
Storage temperature	T _{STG}	-20	60	°C	
Operating temperature	T _{OPR}	0	50	°C	
Vibration(non-operating)	V _{NOP}	--	1.5	G	(1)
Shock(non-operating)	S _{NOP}	--	70	G	(2)
Storage humidity	H _{STG}	10	90	%RH	(3)
Operating humidity	H _{OP}	10	80	%RH	(3)
Low pressure(operating)	P _{LOP}	697	--	HPa	(4)
Low pressure(non-operating)	P _{LNOP}	116	--	HPa	(5)

- Note
- (1) 5-500-5Hz sine wave, X,Y,Z each directions, 30 min/cycle.
 - (2) 11ms, ±X, ±Y, ±Z direction, one time each. For this shock test, it is necessary to fill the silicon rubber between the shock jig as buffer.
 - (3) Max wet bulb temp. =39°C
 - (4) 2 hrs. (10000 feet)
 - (5) 24hrs. (50000 feet)

Document Title	HSD150SX84 Product Information	Page No.	6 / 32
Document No.	---	Revision	1.0



2.2 Electrical Absolute Rating:

2.2.1 TFT LCD Module:

Item	Symbol	Condition	Value		Unit
			min.	max.	
Input Power Voltage	V_{DD}	Normal	+3.0	+3.8	V(DC)
Logic Signal input voltage	V_{SIG}	Normal	-0.3	$V_{DD} + 0.3$	V

2.2.2 Back Light Unit:

Item	Symbol	Min.	Max.	Unit	Note
Lamp voltage	V_L	0	2000	V(rms)	(1)
Lamp current	I_L	—	7.0	mA	(1)
Lamp frequency	f_L	0	100	KHz	(1)

Note: (1) Permanent damage may occur to the LCD module if beyond this specification. Functional operation should be restricted to the conditions described under Normal Operating Conditions.

Document Title	HSD150SX84 Product Information	Page No.	7 / 32
Document No.	---	Revision	1.0

3.0 OPTICAL CHARACTERISTICS

3.1 Measuring Condition

- Measuring surrounding : dark room
- Lamp current I_{BL} : **(6.0)±0.1mA**, lamp freq. $F_L=50KHz$
- $V_{DD1}=3.3V$, $f_V=60Hz$, $f_{DCLK}=32.5MHz$
- Surrounding temperature : $25±2°C$
- 30min. Warm-up time.

3.2 Measuring Equipment

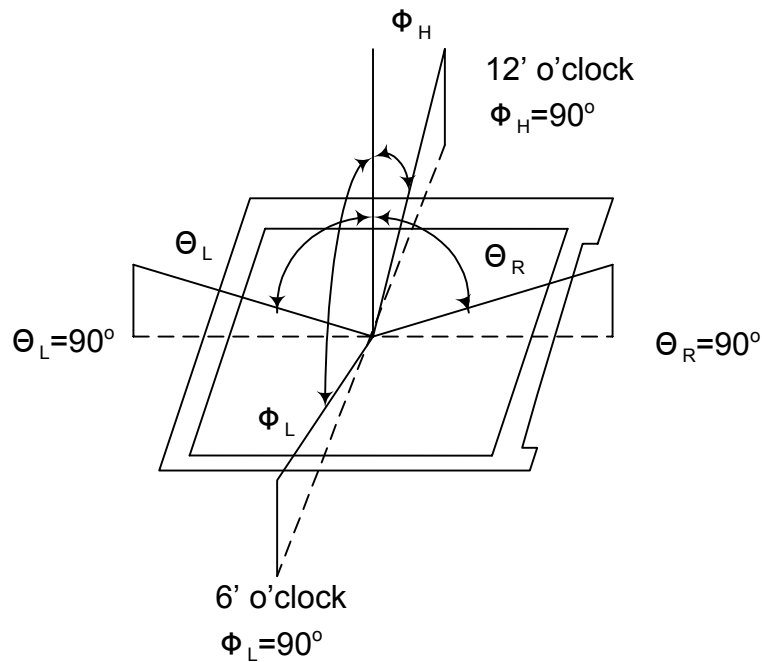
- LCD-7000 of Otsuka Electric Corp., which utilized MCPD-7000 for Chromaticity and BM-5A for other optical characteristics.
- Measuring spot size : 10~12mm

3.3 Optical specification

Item		Symbol	Condition	Min.	Typ.	Max.	Unit	Note
Contrast		CR	$\theta=0^\circ$ $\phi=0^\circ$ Normal viewing angle	300	400	--		(1)(2)
Response time	Rising	T_R		--	TR +TF =(35)	--	msec	(1)(3)
	Falling	T_F		--				
White luminance (center of screen)		Y_L		--	250	--	cd/m ²	(1)
Color chromaticity (CIE1931)	Red	R_x		0.593	0.623	0.653	(1)(4)	
		R_y		0.305	0.335	0.365		
	Green	G_x		0.263	0.293	0.323		
		G_y		0.569	0.599	0.629		
	Blue	B_x		0.114	0.144	0.174		
		B_y		0.083	0.113	0.143		
	White	W_x	0.280	0.310	0.340			
		W_y	0.300	0.330	0.360			
Viewing angle	Hor.	θ_L	--	60	--	CR>10		
		θ_R	--	60	--			
	Ver.	θ_H	--	40	--			
		θ_V	--	50	--			
Brightness uniformity		B_{UNI}	$\theta=0^\circ$	70	75	--	%	(5)
Crosstalk		CT(n)	$\phi=0^\circ$	--	--	1.3	%	(6)

Document Title	HSD150SX84 Product Information	Page No.	8 / 32
Document No.	---	Revision	1.0

Note (1) Definition of Viewing Angle:

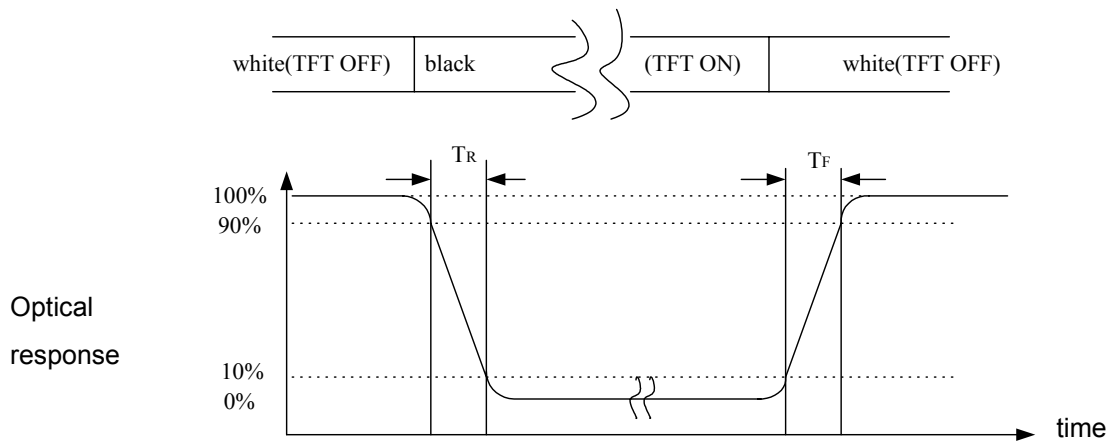


Note (2) Definition of Contrast Ratio(CR) :
 measured at the center point of panel

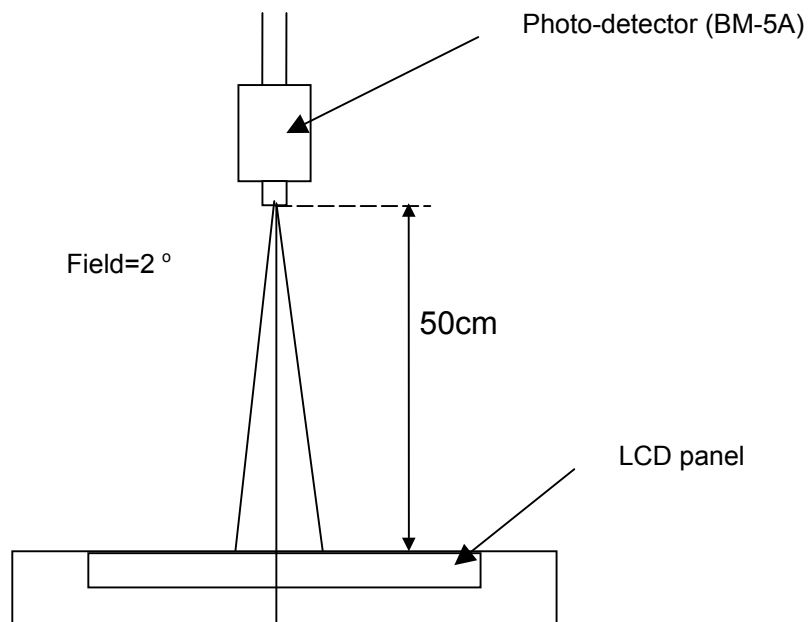
$$CR = \frac{\text{Luminance with all pixels white (L63)}}{\text{Luminance with all pixels black (L0)}}$$

Document Title	HSD150SX84 Product Information	Page No.	9 / 32
Document No.	---	Revision	1.0

Note (3) Definition of Response Time: Sum of T_R and T_F



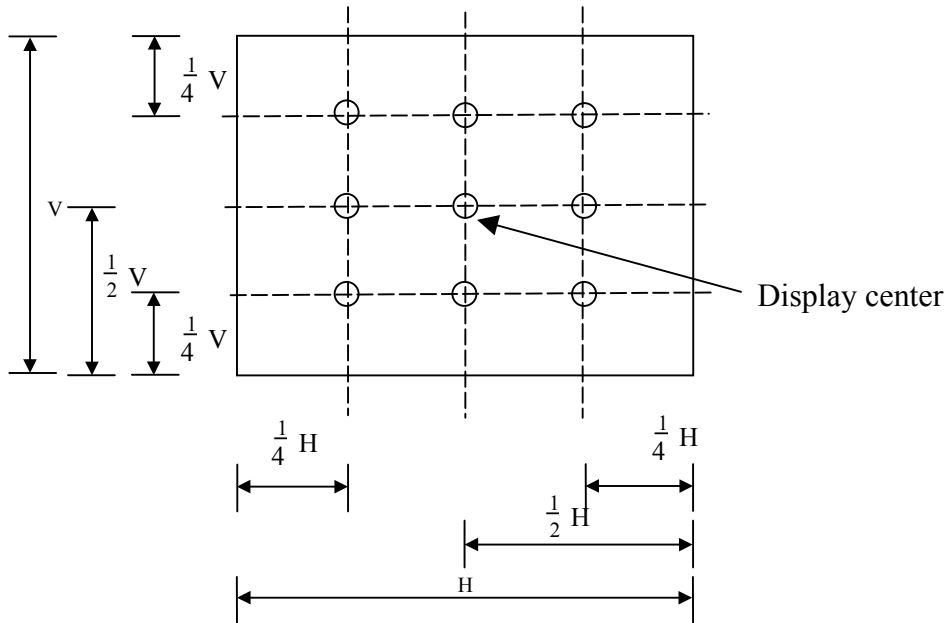
Note (4) Optical characteristic measurement setup



Document Title	HSD150SX84 Product Information	Page No.	10 / 32
Document No.	---	Revision	1.0

Note (5) Definition of brightness uniformity

$$\text{Luminance uniformity} = (\text{Min Luminance}) / (\text{Max Luminance}) \times 100\%$$



Document Title	HSD150SX84 Product Information	Page No.	11 / 32
Document No.	---	Revision	1.0

Note (6) Definition of crosstalk CT(1) ~ CT(4)

$$CT(n) = \frac{|L(n) - LB(n)|}{L(n)} \times 100\% , n = 1 \sim 4$$

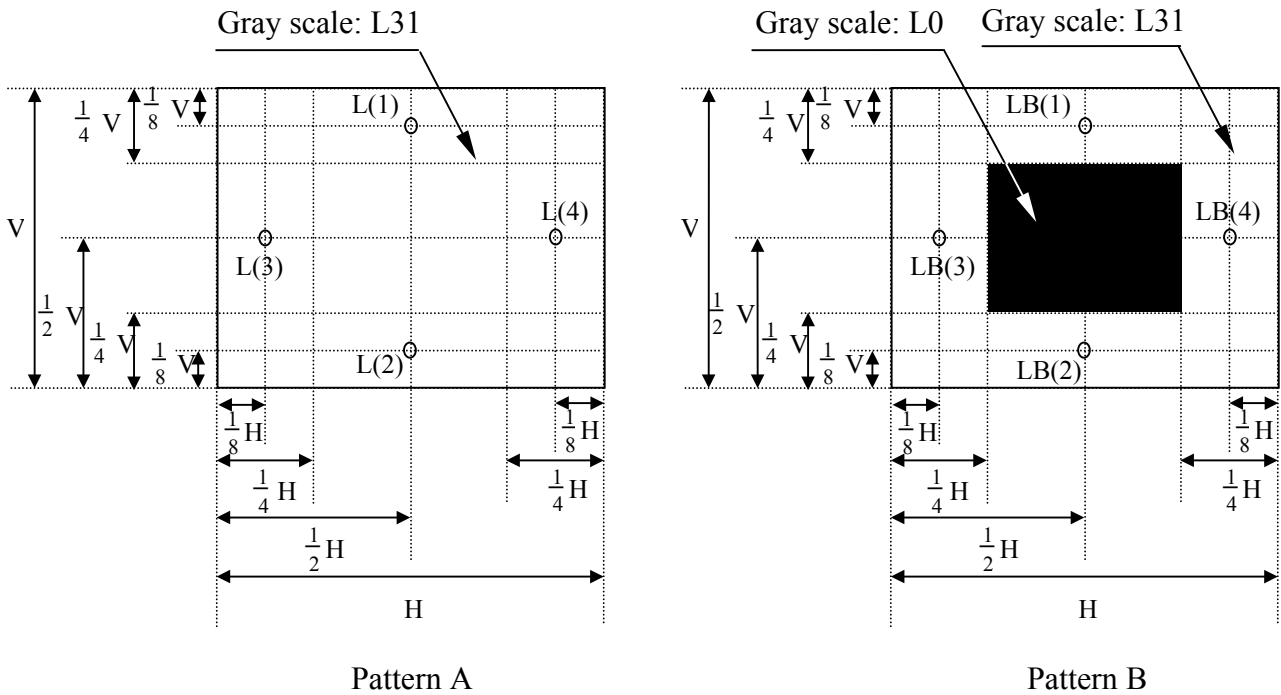
Where L(n) = Luminance of point "n" at pattern A (cd/m²) , n=1~4

LB(n) = Luminance of point "n" at pattern B (cd/m²) , n=1~4

The location measured will be exactly the same in both patterns.

L0 : Luminance with all pixels black

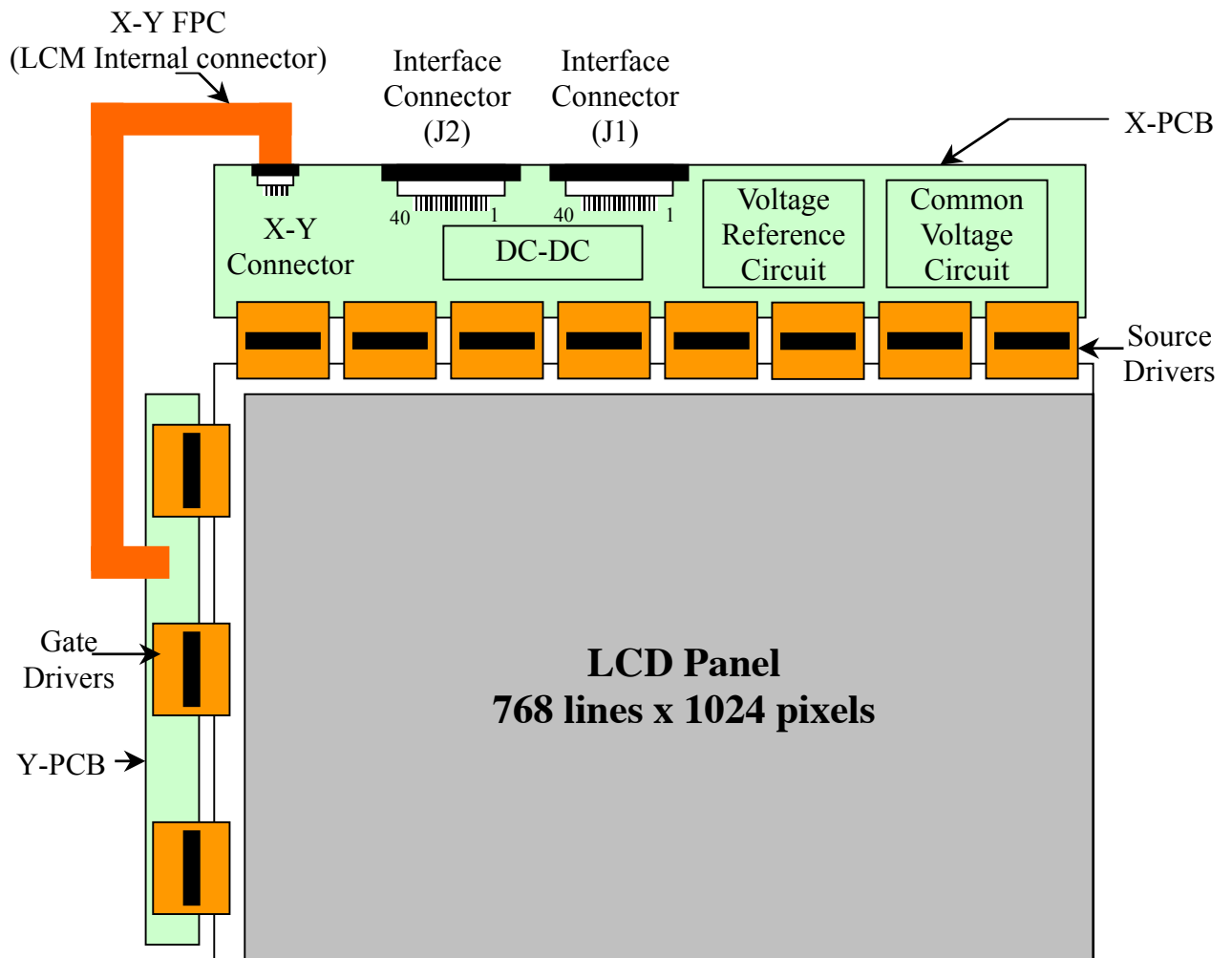
L63 : Luminance with all pixels white



Document Title	HSD150SX84 Product Information	Page No.	12 / 32
Document No.	---	Revision	1.0

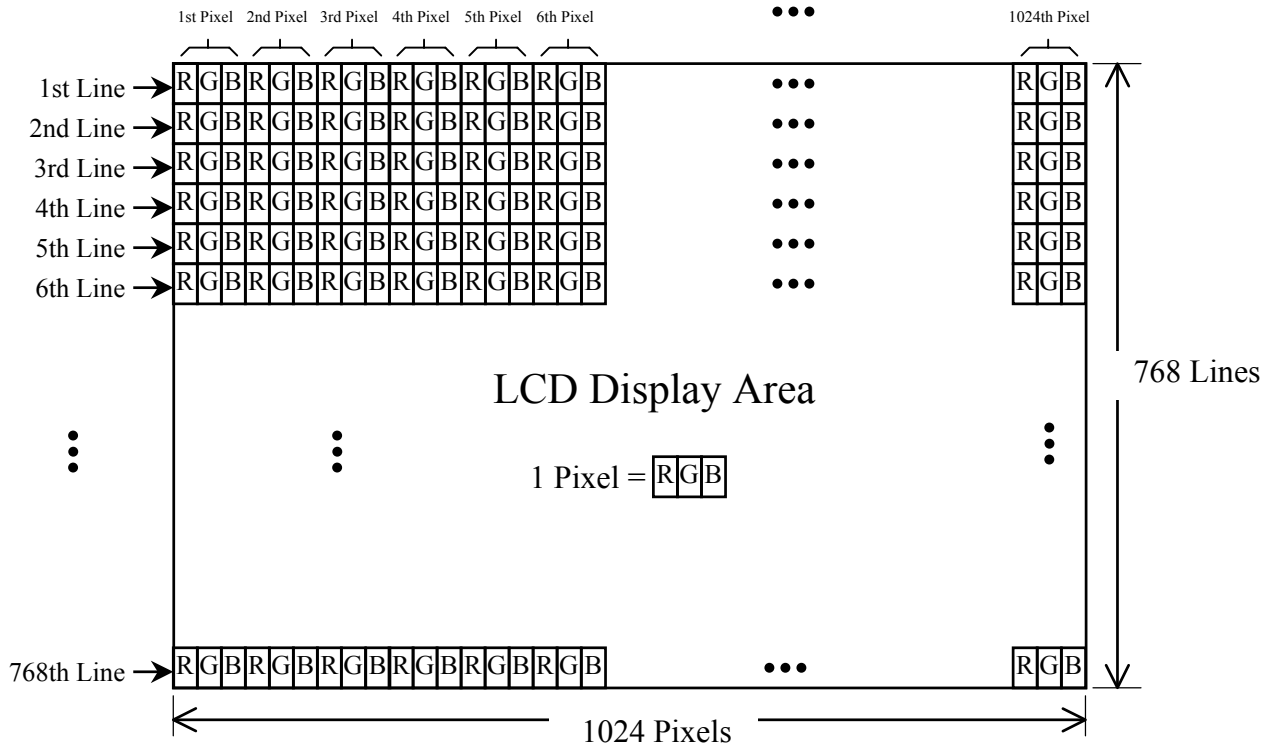
4.0 BLOCK DIAGRAM

4.1 LCD Module Block Diagram:



Document Title	HSD150SX84 Product Information	Page No.	13 / 32
Document No.	---	Revision	1.0

4.2 Pixel Format



Document Title	HSD150SX84 Product Information	Page No.	14 / 32
Document No.	---	Revision	1.0

4.3 Relationship between Displayed Color and Input Data

	Display	MSB					LSB					MSB					LSB					Gray scale level
		R5	R4	R3	R2	R1	R0	G5	G4	G3	G2	G1	G0	B5	B4	B3	B2	B1	B0			
Basic color	Black	L	L	L	L	L	L	L	L	L	L	L	L	L	L	L	L	L	L	-		
	Blue	L	L	L	L	L	L	L	L	L	L	L	L	H	H	H	H	H	H	-		
	Green	L	L	L	L	L	L	H	H	H	H	H	H	L	L	L	L	L	L	-		
	Light Blue	L	L	L	L	L	L	H	H	H	H	H	H	H	H	H	H	H	H	-		
	Red	H	H	H	H	H	H	L	L	L	L	L	L	L	L	L	L	L	L	-		
	Purple	H	H	H	H	H	H	L	L	L	L	L	L	H	H	H	H	H	H	-		
	Yellow	H	H	H	H	H	H	H	H	H	H	H	H	L	L	L	L	L	L	-		
White	H	H	H	H	H	H	H	H	H	H	H	H	H	H	H	H	H	H	-			
Gray scale of Red	Black	L	L	L	L	L	L	L	L	L	L	L	L	L	L	L	L	L	L	L0		
	Dark ↑ ↓ Light	L	L	L	L	L	H	L	L	L	L	L	L	L	L	L	L	L	L	L1		
		L	L	L	L	H	L	L	L	L	L	L	L	L	L	L	L	L	L	L2		
		:	:	:	:	:	:	:	:	:	:	:	:	:	:	:	:	:	:	L3...L60		
		H	H	H	H	L	H	L	L	L	L	L	L	L	L	L	L	L	L	L61		
		H	H	H	H	H	L	L	L	L	L	L	L	L	L	L	L	L	L	L62		
	Red	H	H	H	H	H	H	L	L	L	L	L	L	L	L	L	L	L	L	Red L63		
Gray scale of Green	Black	L	L	L	L	L	L	L	L	L	L	L	L	L	L	L	L	L	L	L0		
	Dark ↑ ↓ Light	L	L	L	L	L	L	L	L	L	L	L	H	L	L	L	L	L	L	L1		
		L	L	L	L	L	L	L	L	L	L	H	L	L	L	L	L	L	L	L2		
		:	:	:	:	:	:	:	:	:	:	:	:	:	:	:	:	:	:	L3...L60		
		L	L	L	L	L	L	H	H	H	H	L	H	L	L	L	L	L	L	L61		
		L	L	L	L	L	L	H	H	H	H	H	L	L	L	L	L	L	L	L62		
	Green	L	L	L	L	L	L	H	H	H	H	H	H	L	L	L	L	L	L	Green L63		
Gray scale of Blue	Black	L	L	L	L	L	L	L	L	L	L	L	L	L	L	L	L	L	L	L0		
	Dark ↑ ↓ Light	L	L	L	L	L	L	L	L	L	L	L	L	L	L	L	L	L	H	L1		
		L	L	L	L	L	L	L	L	L	L	L	L	L	L	L	L	H	L	L2		
		:	:	:	:	:	:	:	:	:	:	:	:	:	:	:	:	:	:	L3...L60		
		L	L	L	L	L	L	L	L	L	L	L	L	H	H	H	H	L	H	L61		
		L	L	L	L	L	L	L	L	L	L	L	L	H	H	H	H	H	L	L62		
	Blue	L	L	L	L	L	L	L	L	L	L	L	L	H	H	H	H	H	H	Blue L63		
Gray scale of White and Black	Black	L	L	L	L	L	L	L	L	L	L	L	L	L	L	L	L	L	L	L0		
	Dark ↑ ↓ Light	L	L	L	L	L	H	L	L	L	L	L	H	L	L	L	L	L	H	L1		
		L	L	L	L	H	L	L	L	L	L	H	L	L	L	L	L	H	L	L2		
		:	:	:	:	:	:	:	:	:	:	:	:	:	:	:	:	:	:	L3...L60		
		H	H	H	H	L	H	H	H	H	H	L	H	H	H	H	H	L	H	L61		
		H	H	H	H	H	L	H	H	H	H	H	L	H	H	H	H	H	L	L62		
	White	H	H	H	H	H	H	H	H	H	H	H	H	H	H	H	H	H	H	White L63		

Document Title	HSD150SX84 Product Information	Page No.	15 / 32
Document No.	---	Revision	1.0

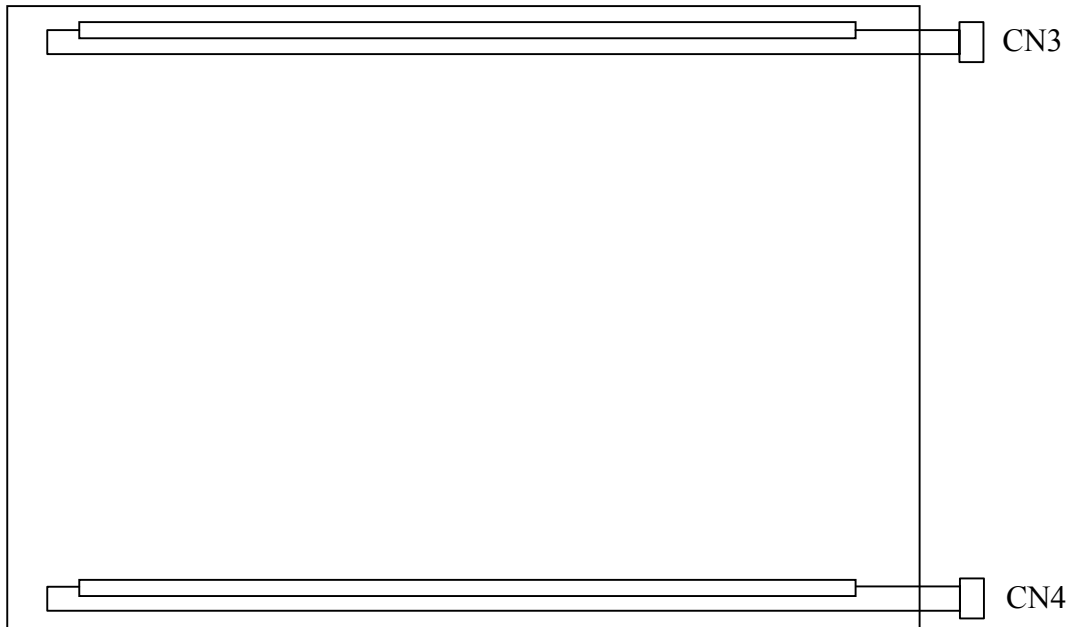
5.0 I/O CONNECTION PIN ASSIGNMENT

5.1 Interface FPC Connector (40-pins x 2) (HIROSE : FH12-40S-0.5SH)

I/F FRC Connector (J1)			I/F FRC Connector (J2)		
Pin No.	Symbol	Description	Pin No.	Symbol	Description
1	NC	No Connecting	1	VDD	Digital Power Input (DC +3.3V)
2	NC	No Connecting	2	VDD	Digital Power Input (DC +3.3V)
3	GND	Ground	3	GND	Ground
4	GND	Ground	4	GND	Ground
5	EB5	Even-dot Blue Data bit 5 (MSB)	5	OB5	Odd-dot Blue Data bit 5 (MSB)
6	EB4	Even-dot Blue Data bit 4	6	OB4	Odd-dot Blue Data bit 4
7	EB3	Even-dot Blue Data bit 3	7	OB3	Odd-dot Blue Data bit 3
8	EB2	Even-dot Blue Data bit 2	8	OB2	Odd-dot Blue Data bit 2
9	EB1	Even-dot Blue Data bit 1	9	OB1	Odd-dot Blue Data bit 1
10	EB0	Even-dot Blue Data bit 0 (LSB)	10	OB0	Odd-dot Blue Data bit 0 (LSB)
11	GND	Ground	11	GND	Ground
12	EG5	Even-dot Green Data bit 5 (MSB)	12	OG5	Odd-dot Green Data bit 5 (MSB)
13	EG4	Even-dot Green Data bit 4	13	OG4	Odd-dot Green Data bit 4
14	EG3	Even-dot Green Data bit 3	14	OG3	Odd-dot Green Data bit 3
15	EG2	Even-dot Green Data bit 2	15	OG2	Odd-dot Green Data bit 2
16	EG1	Even-dot Green Data bit 1	16	OG1	Odd-dot Green Data bit 1
17	EG0	Even-dot Green Data bit 0 (LSB)	17	OG0	Odd-dot Green Data bit 0 (LSB)
18	GND	Ground	18	GND	Ground
19	ER5	Even-dot Red Data bit 5 (MSB)	19	OR5	Odd-dot Red Data bit 5 (MSB)
20	ER4	Even-dot Red Data bit 4	20	OR4	Odd-dot Red Data bit 4
21	ER3	Even-dot Red Data bit 3	21	OR3	Odd-dot Red Data bit 3
22	ER2	Even-dot Red Data bit 2	22	OR2	Odd-dot Red Data bit 2
23	ER1	Even-dot Red Data bit 1	23	OR1	Odd-dot Red Data bit 1
24	ER0	Even-dot Red Data bit 0 (LSB)	24	OR0	Odd-dot Red Data bit 0 (LSB)
25	GND	Ground	25	GND	Ground
26	CPH1	Pixel Clock Input	26	CPH2	Pixel Clock Input
27	GND	Ground	27	GND	Ground
28	GND	Ground	28	GND	Ground
29	STH	Horizontal Start Pulse	29	NC	No Connecting
30	LOAD	Source Driver Latch Pulse	30	NC	No Connecting
31	POL	Source Driver Output Polarity control	31	NC	No Connecting
32	REV	Data Reverse Control Signal	32	NC	No Connecting
33	GND	Ground	33	NC	No Connecting
34	GND	Ground	34	NC	No Connecting
35	STV1	Vertical Start Pulse 1	35	NC	No Connecting
36	STV2	Vertical Start Pulse 2	36	NC	No Connecting
37	CPV	Vertical Clock Input	37	NC	No Connecting
38	OE	Gate Driver Output Enable Signal	38	NC	No Connecting
39	GND	Ground	39	GND	Ground
40	GND	Ground	40	GND	Ground

Document Title	HSD150SX84 Product Information	Page No.	16 / 32
Document No.	---	Revision	1.0

5.2 Back Light Unit (CCFL) Connectors:



CN3, 4: CCFL Power Source (BHR-03VS-1/Japan Solderless Terminal MFG Co., LTD)

Mating connector: SM02 (8.0)B-BHS-1/ Japan Solderless Terminal MFG Co., LTD

Terminal No.	Symbol	Function
1	VL	CCFL power supply (high voltage)
2	NC ¹⁾	No connection
3	GL	CCFL power supply (low voltage)

Note 1) Please connects NC pin to nothing. Don't connect it to ground nor to other signal Input. (NC pin should be open.)

Document Title	HSD150SX84 Product Information	Page No.	17 / 32
Document No.	---	Revision	1.0

6.0 ELECTRICAL CHARACTERISTICS

6.1 Electrical System of LCD Module:

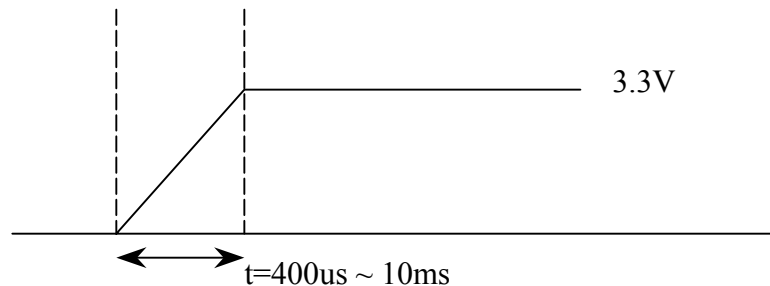
Item	Symbol	Condition	Value			Unit
			Min.	Typ.	Max.	
Input Voltage	V_{DD}		+3.0	+3.3	+3.6	V(DC)
Input Rush Current	I_{rush}	$V_{DD} = +3.3V$ Each $I_{out} = \text{max.}$			1.5(*)	A
Input Signal voltage	V_{IH}	High Level	2.4	3.3	$V_{DD}+0.2$	V
	V_{IL}	Low Level	0	—	0.9	V

6.2 Back-Light Unit:

The backlight system is an edge-lighting type with 2-CCFL (Cold Cathode Fluorescent Lamp). The characteristics of four lamps are shown in the following tables.

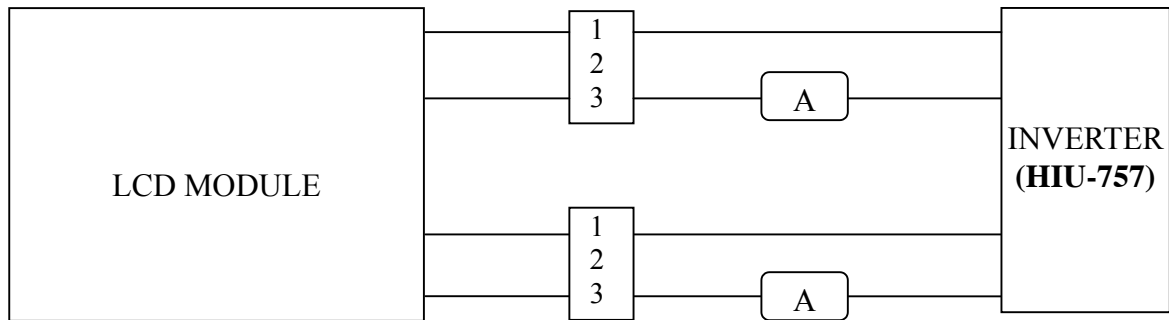
Item	Symbol	Min.	Typ.	Max.	Unit	Note
Lamp current	I_L	3.0	6.0	7.0	mA(rms)	(1)
Lamp voltage	V_L	640	750	860	V(rms)	$I_L=6.0 \text{ mA}$
Frequency	f_L	50	55	80	KHz	(2)
CCFL life time	Hr	30,000	—	—	Hour	(3)
Startup voltage	V_s	1150	—	—	V(rms)	at 25°C
		1350				at 0°C

* Inrush current conditions



Document Title	HSD150SX84 Product Information	Page No.	18 / 32
Document No.	---	Revision	1.0

Note: (1) Lamp current is measured with current meter for high frequency as shown below. Specified values are for a lamp.



- (2) Lamp frequency may produce interference with horizontal synchronous frequency and this may cause line flow on the display. Therefore lamp frequency shall be detached from the horizontal synchronous frequency and its harmonics as far as possible in order to avoid interference.
- (3) Life time (Hr) can be defined as the time in which it continues to operate under the condition: Temp. = $25 \pm 3^\circ\text{C}$, $I_L = 6.0\text{mA(rms.)}$ and $f_L = 50\text{ KHz}$ until one of the following event occurs:
1. When the brightness becomes 50%.
 2. When the startup voltage (V_s) at 0°C becomes higher than the maximal value of V_s specified above.

Document Title	HSD150SX84 Product Information	Page No.	19 / 32
Document No.	---	Revision	1.0

6.3 AC Electrical Characteristics:

6.3.1 AC Timing: (VDD1=3.0V~3.6V, TOPR=25 oC) 5)

Item	Symbol	Min.	Typ.	Max.	Unit	Signals	Note
Reference Signal (Pixel Clock)	F1	50	65	80	MHz		
	T1=CLK	12.5	15.384	20	n-Sec		
	T2=T1*2	25	30.769	40	n-Sec		
Reference Signal (DENB)	Line Periodic	T3=Line	526	672	900	T2	1), 2), 4)
	Line Active	T4	512	512	512	T2	
	Line Blank	T5	14	160	388	T2	
	Frame Periodic	T6	773	806	950	T3	
	Frame Active	T7	768	768	768	T3	
	Frame Blank	T8	5	---	---	T3	
Vertical Periodic	Periodic	T6	773	806	950	T3	STV1 STV2 OE CPV 2)
	Pulse Width	T9	---	1	---	T3	
		T10	---	3	---		
		T16A	3.5	3.7	4.5		
		T16B	5	---	---		
	Rising Time	T11	---	---	50	n-Sec	
		T17A	---	---	50		
T17B		---	---	50			
Falling Time	T12	---	---	50	n-Sec		
	T18A	---	---	50			
	T18B	---	---	50			
Set-up Time	T13	700	---	---	n-Sec		
Hold Time	T14	700	---	---	n-Sec		
Horizontal Periodic	Period	T15	---	1	---	T3	LOAD STH
	Pulse Width	T16C	56	64	72	T2	
		T16D	25	30.769	40	n-Sec	
	Rising Time	T17C	---	---	8	n-Sec	
		T17D	---	---	8		
	Falling Time	T18C	---	---	8	n-Sec	
T18D		---	---	8			
Set-up Time	T19	6	---	---	n-Sec	LOAD STH	
Hold Time	T20	2	---	---	n-Sec		

Document Title	HSD150SX84 Product Information	Page No.	20 / 32
Document No.	---	Revision	1.0

Item	Symbol	Min.	Typ.	Max.	Unit	Signals	Note
Horizontal Periodic	Period	T21	---	2	---	Lines	POL
	Pulse Width	T22	---	1	---	Lines	
	Rising Time	T23	---	---	8	n-Sec	
	Falling Time	T24	---	---	8	n-Sec	
	Set-up Time	T25	6	---	---	n-Sec	
	Hold Time	T26	2	---	---	n-Sec	
Clock	Period	T2	25.00	30.769	40	n-Sec	CPH1 CPH2
	Rising Time	T27	---	---	8	n-Sec	
	Falling Time	T28	---	---	8	n-Sec	
Image Data And Data Reverse Control Pin	Setup time	T29	6	---	---	n-Sec	ER(5:0) EG(5:0) EB(5:0) OR(5:0) OG(5:0) OB(5:0) REV
	Hold time	T30	2	---	---	n-Sec	
Relative Signals	LOAD rising-STH rising	T31	6	---	---	T2	
	CPV rising-LOAD rising	T32	3.5	3.7	4.5	u-Sec	

Note 1) Refer to VESA standard.

Note 2) In case of using the long frame period, the deterioration of display quality, noise etc. may be occurred.

Note 3) Do not fix CPH1 and CPH2 to “H” or “L” level while the V_{DD} (+3.3V) is supplied. If CPH1 and CPH2 is fixed to “H” level or “L” level for certain period while the V_{DD} (+3.3V) is supplied, the panel may be damaged.

Note 4) Do not change t3 and t6 values in the operation. When t1 or t4 is changed, the panel is displayed as black.

Note 5) Please adjust LCD operating signal timing and FL driving frequency, to optimize the display quality. There is a possibility that flicker is observed by the interference of LCD operating signal timing and FL driving condition (especially driving frequency).

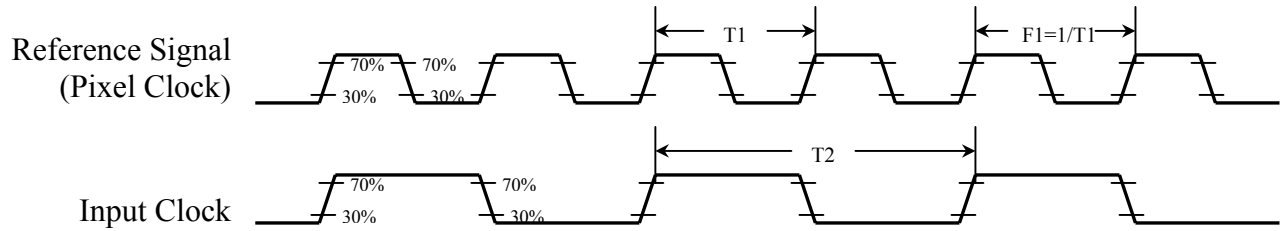
Note 6) All of the timing have to meet “ 6.3.1 AC timing chart – Pixel frequency must less than 40 MHz“ , frame rate 85Hz can be acceptable.

Note 7) All of the timing setting should be confirmed by Hannstar’s FAE.

Document Title	HSD150SX84 Product Information	Page No.	21 / 32
Document No.	---	Revision	1.0

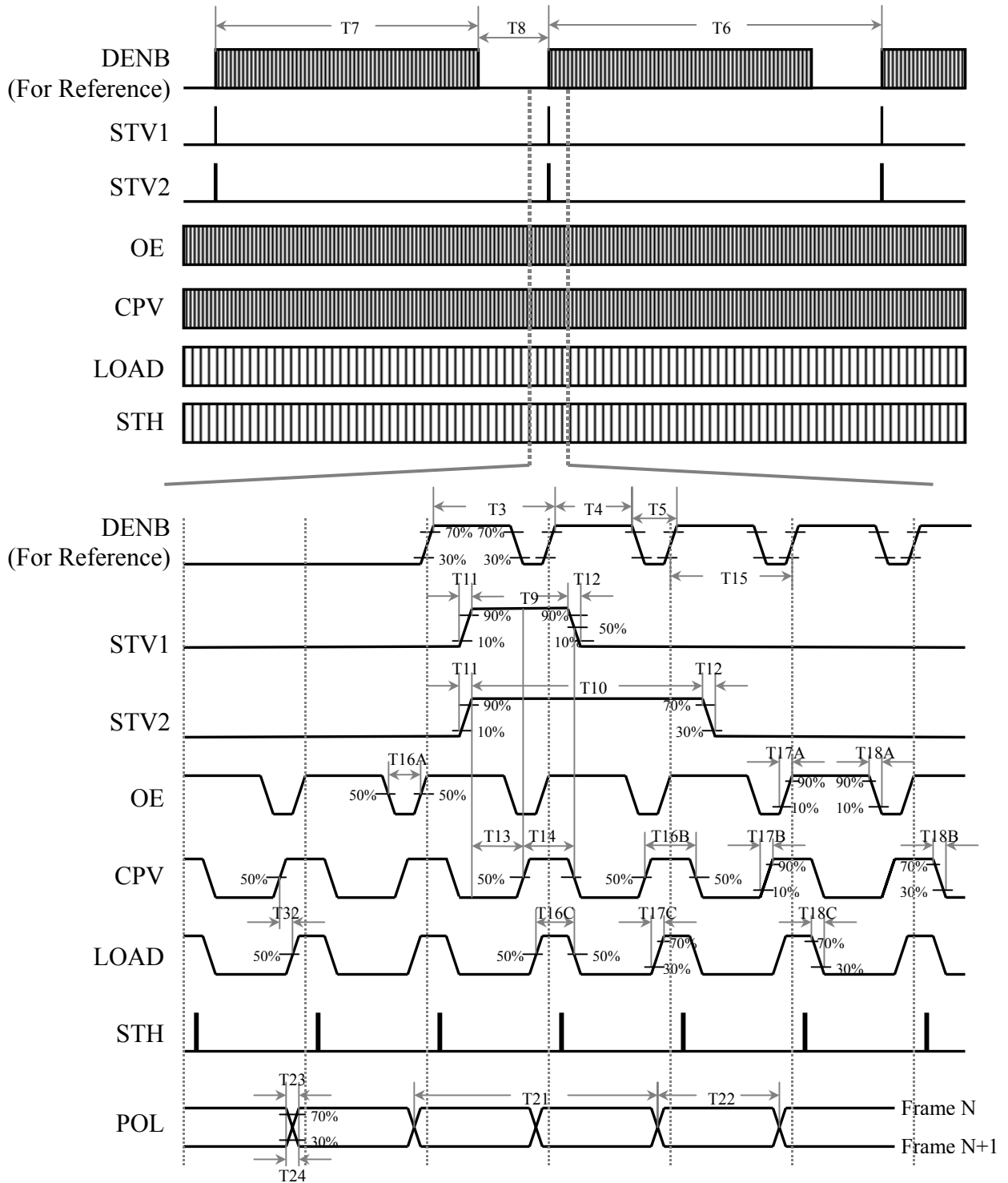
6.3.2 AC Timing Charts:

(1). Reference Signal (pixel clock):



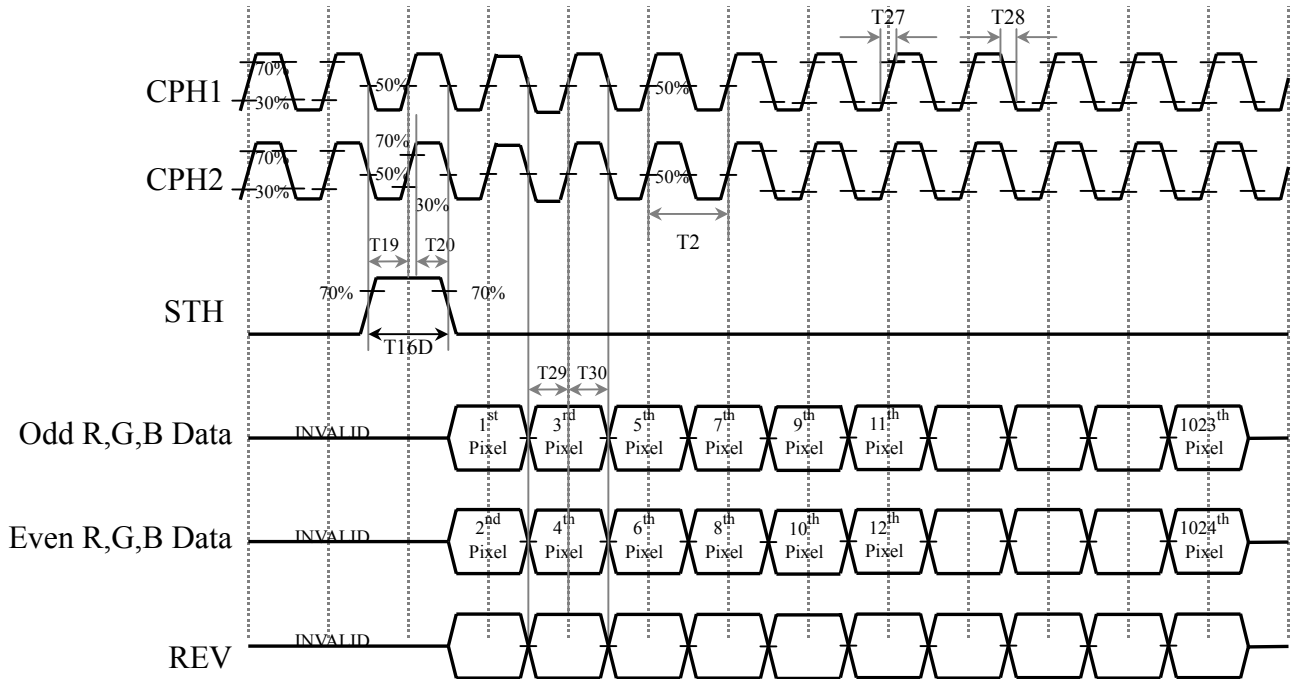
Document Title	HSD150SX84 Product information	Page No.	22 / 32
Document No.	---	Revision	1.0

(2). Vertical Periodic (STV1, STV2, OE, CPV):

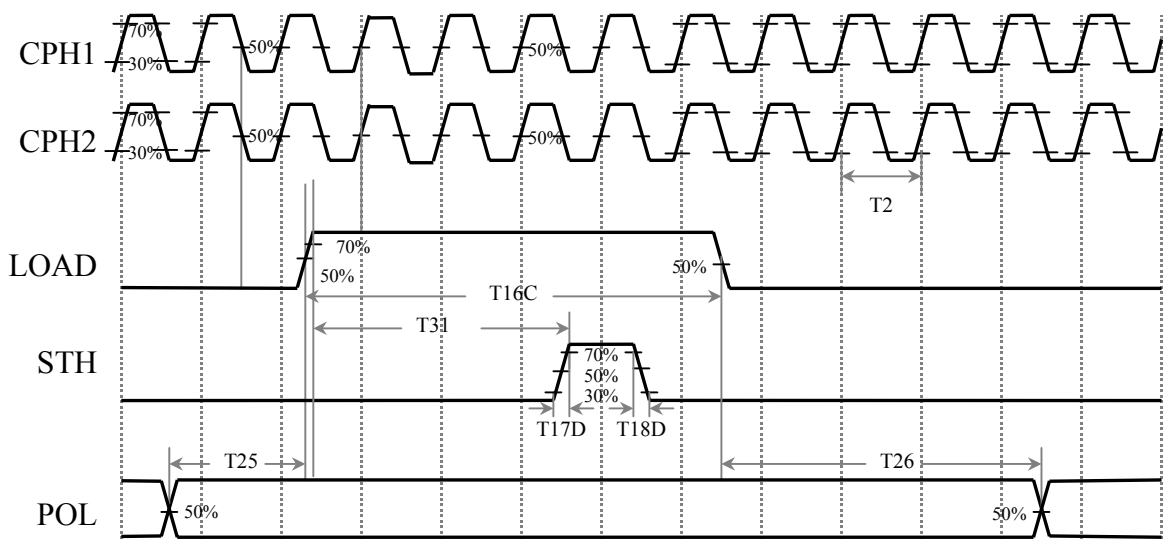


Document Title	HSD150SX84 Product information	Page No.	23 / 32
Document No.	---	Revision	1.0

(3). Horizontal Periodic 1 (STH, CPH, DATA):

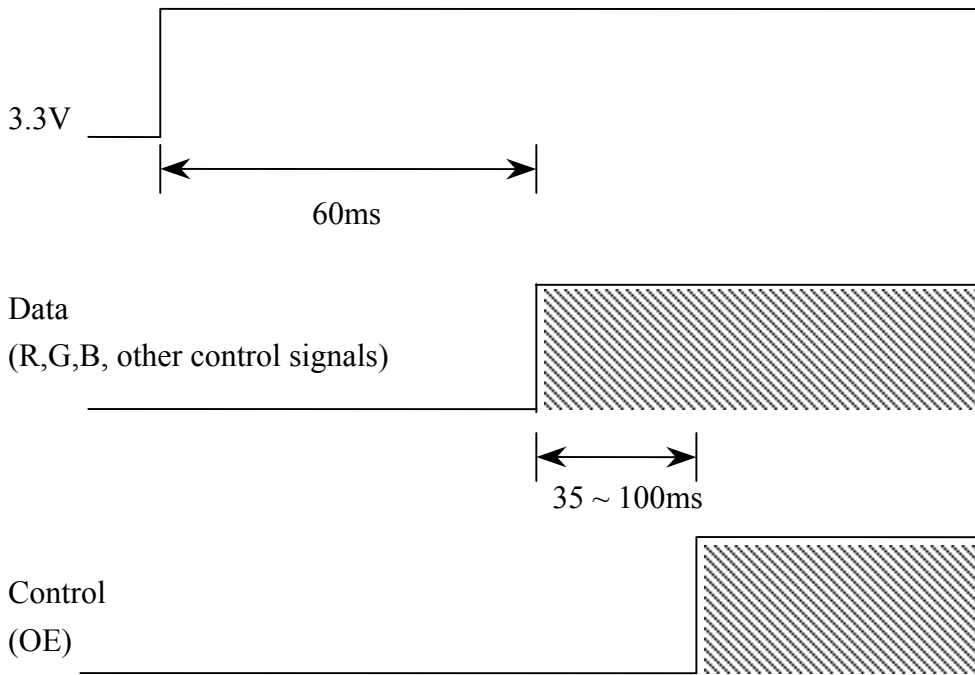


(4). Horizontal Periodic 2 (CPH, LOAD, STH, POL):



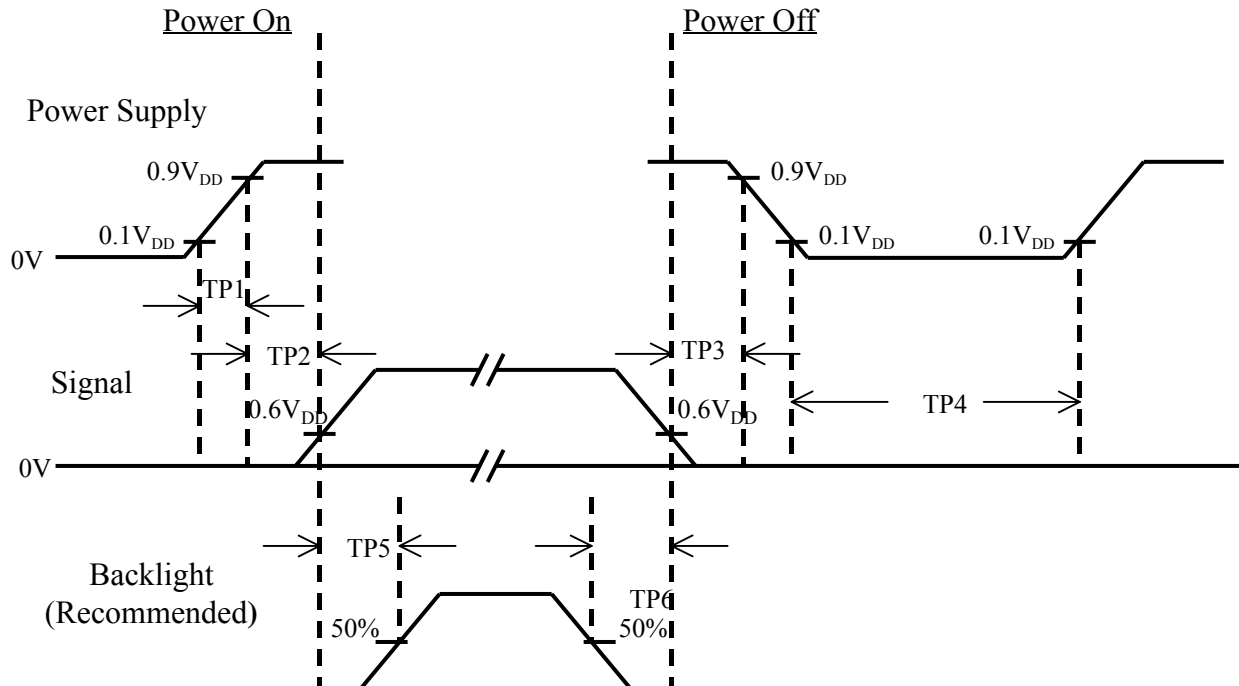
Document Title	HSD150SX84 Product information	Page No.	24 / 32
Document No.	---	Revision	1.0

(5). Initial Condition:



Document Title	HSD150SX84 Product information	Page No.	25 / 32
Document No.	---	Revision	1.0

6.4 Power On / Off Sequence :



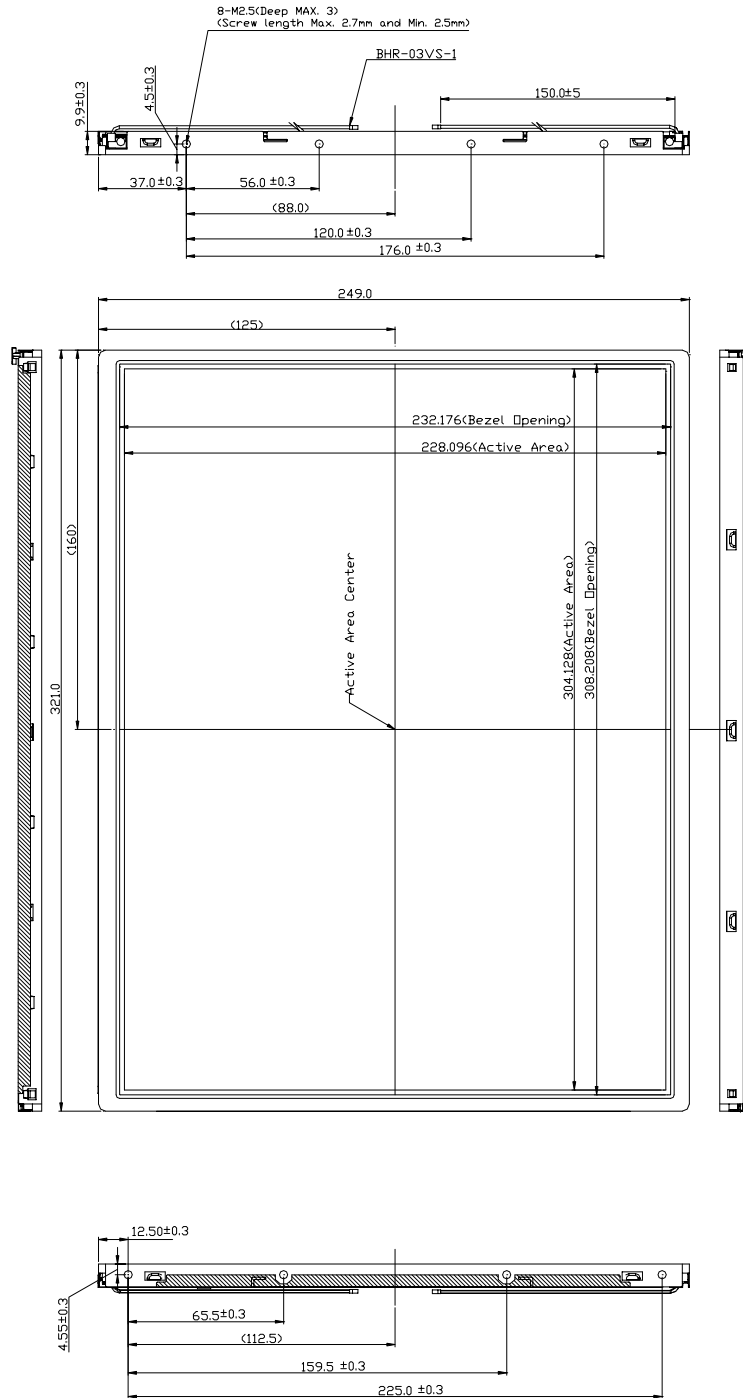
Item	Min.	Typ.	Max.	Unit	Remark
TP1	0.4	—	10	msec	
TP2	60	—	200	msec	
TP3	0	—	50	msec	
TP4	1	—	—	sec	
TP5	200	—	—	msec	
TP6	200	—	—	msec	

- Note :
- (1) The supply voltage of the external system for the module input should be the same as the definition of V_{DD}.
 - (2) Apply the lamp voltage within the LCD operation range. When the back-light turns on before the LCD operation or the LCD turns off before the back-light turns off, the display may momentarily become white.
 - (3) In case of V_{DD} = off level, please keep the level of input signal on the low or keep a high impedance.
 - (4) T4 should be measured after the module has been fully discharged between power off and on period.
 - (5) Interface signal shall not be kept at high impedance when the power is on.

Document Title	HSD150SX84 Product information	Page No.	26 / 32
Document No.	---	Revision	1.0

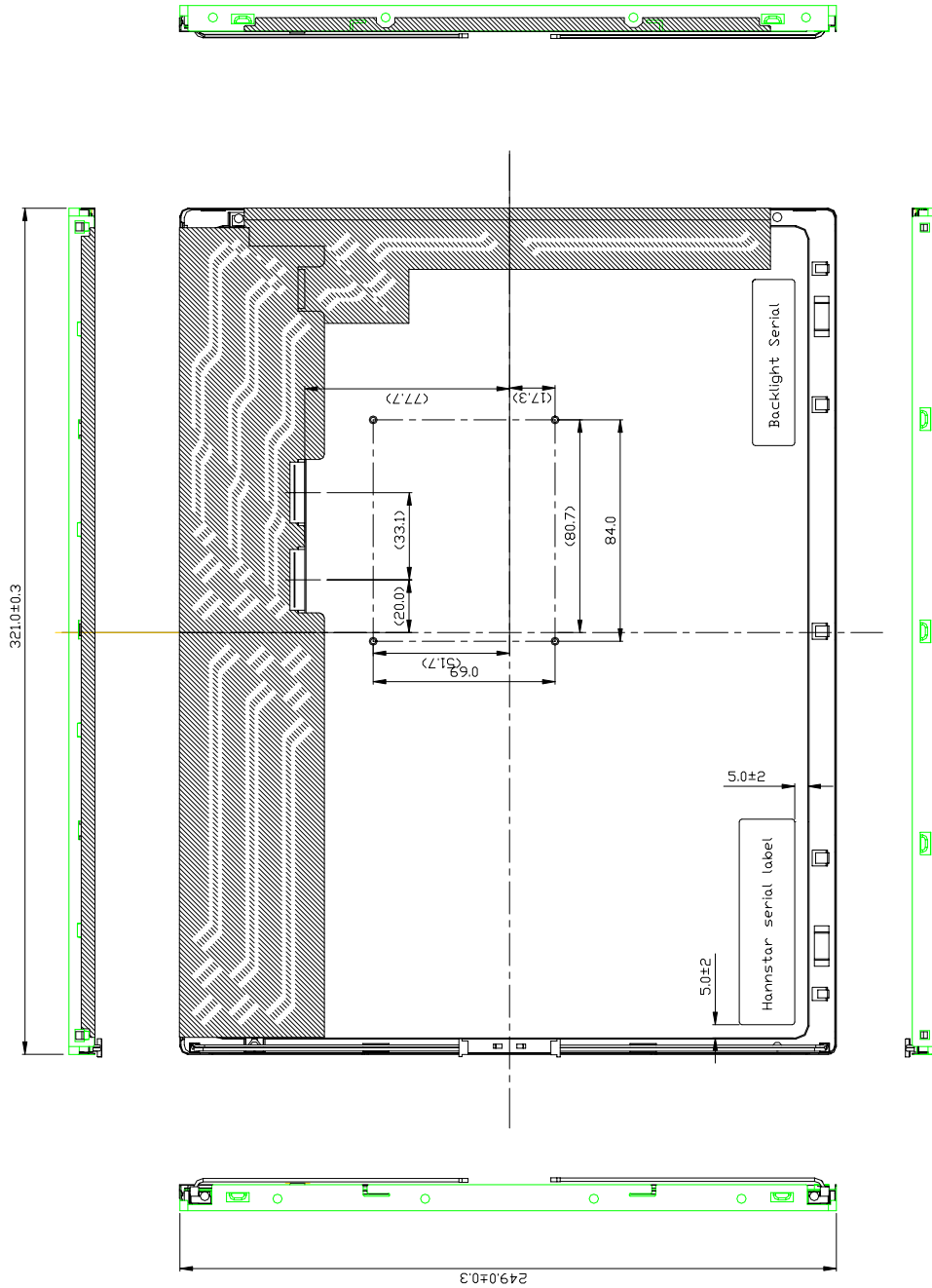
7.0 OUTLINE DIMENSION

7.1.1 Front View:



Document Title	HSD150SX84 Product information	Page No.	27 / 32
Document No.	---	Revision	1.0

7.1.2 Back View:

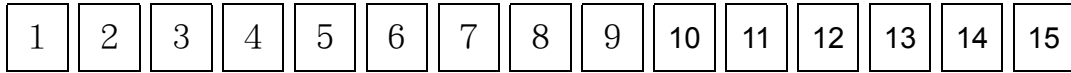


2001.09.07

Document Title	HSD150SX84 Product information	Page No.	28 / 32
Document No.	---	Revision	1.0

8.0 LOT MARK

8.1 Lot Mark



code 1,2,3,4,5,6: HannStar internal flow control code.

code 7: production location.

code 8: production year.

code 9: production month.

code 10,11,12,13,14,15: serial number.

Note (1) Production Year

Year	1999	2000	2001	2002	2003	2004	2005	2006	2007	2008
Mark	9	0	1	2	3	4	5	6	7	8

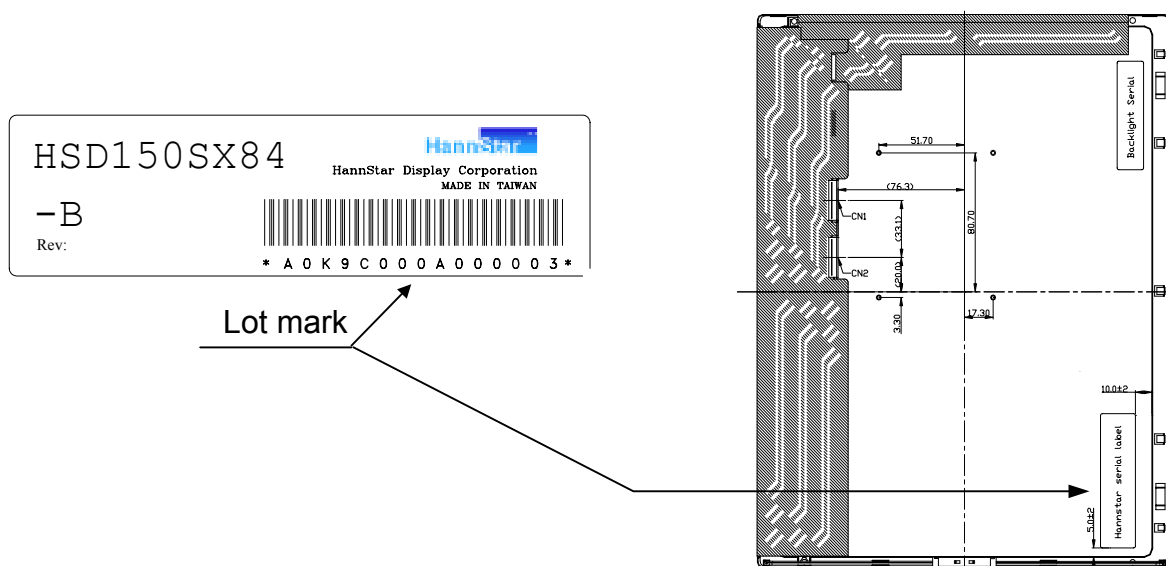
Note (2) Production Month

Month	Jan.	Feb.	Mar.	Apr.	May.	Jun.	Jul.	Aug.	Sep.	Oct.	Nov.	Dec.
Mark	1	2	3	4	5	6	7	8	9	A	B	C

8.2 Location of Lot Mark

(1) The label is attached to the backside of the LCD module.

(2) This is subject to change without prior notice.



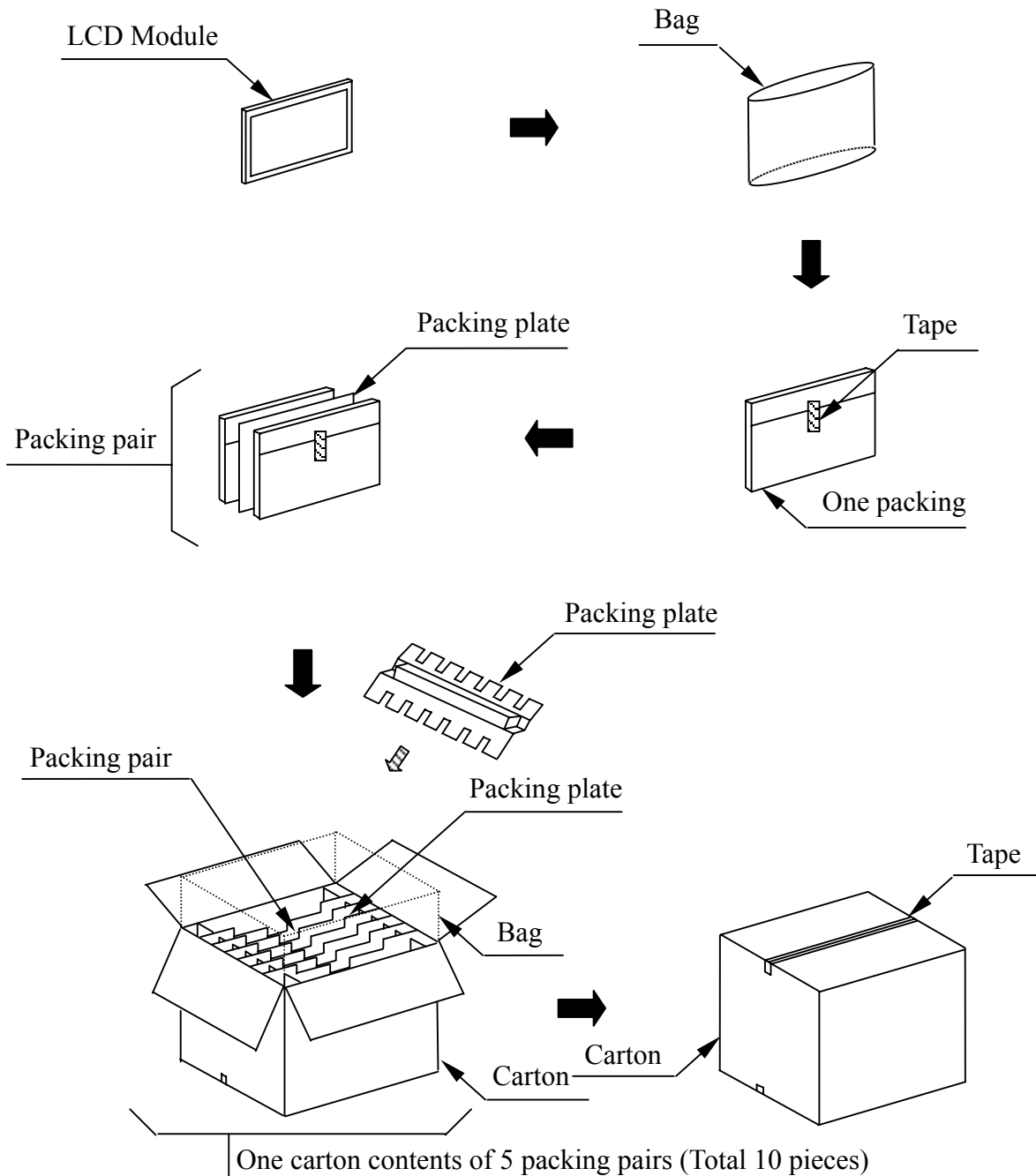
Document Title	HSD150SX84 Product information	Page No.	29 / 32
Document No.	---	Revision	1.0

9.0 PACKAGE SPECIFICATION

9.1 packing form

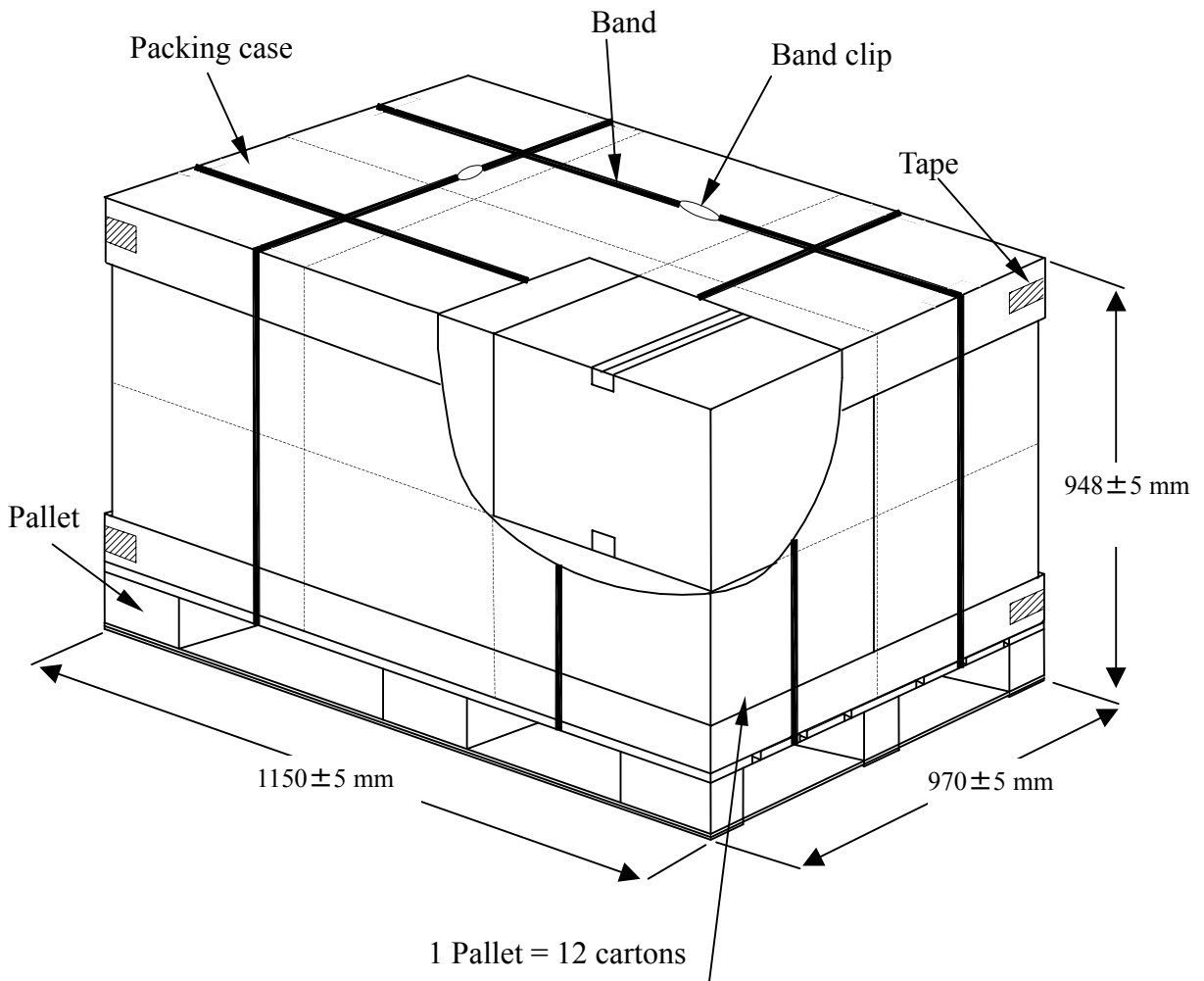
- (1) package quantity in one carton: 10 pieces.
- (2) carton size: $453 \pm 3 \text{ mm} \times 360 \pm 3 \text{ mm} \times 403 \pm 3 \text{ mm}$.
- (3) for domestic transportation only.

9.2 packing assembly drawings



Document Title	HSD150SX84 Product information	Page No.	30 / 32
Document No.	---	Revision	1.0

9.3 Pallet transportation specification



Document Title	HSD150SX84 Product information	Page No.	31 / 32
Document No.	---	Revision	1.0

10.0 GENERAL PRECAUTION

10.1 Use Restriction

This product is not authorized for use in life supporting systems, aircraft navigation control systems, military systems and any other application where performance failure could be life-threatening or otherwise catastrophic.

10.2 Disassembling or Modification

Do not disassemble or modify the module. It may damage sensitive parts inside LCD module, and may cause scratches or dust on the display. HannStar does not warrant the module, if customers disassemble or modify the module.

10.3 Breakage of LCD Panel

10.3.1 If LCD panel is broken and liquid crystal spills out, do not ingest or inhale liquid crystal, and do not contact liquid crystal with skin.

10.3.1 If liquid crystal contacts mouth or eyes, rinse out with water immediately.

10.3.2 If liquid crystal contacts skin or cloths, wash it off immediately with alcohol and rinse thoroughly with water.

10.3.3 Handle carefully with chips of glass that may cause injury, when the glass is broken.

10.4 Electric Shock

10.4.1 Disconnect power supply before handling LCD module.

10.4.2 Do not pull or fold the CCFL cable.

10.4.3 Do not touch the parts inside LCD modules and the fluorescent lamp's connector

or cables in order to prevent electric shock.

10.5 Absolute Maximum Ratings and Power Protection Circuit

10.5.1 Do not exceed the absolute maximum rating values, such as the supply voltage variation, input voltage variation, variation in parts' parameters, environmental temperature, etc., otherwise LCD module may be damaged.

10.5.2 Please do not leave LCD module in the environment of high humidity and high temperature for a long time.

10.5.3 It's recommended employing protection circuit for power supply.

10.6 Operation

10.6.1 Do not touch, push or rub the polarizer with anything harder than HB pencil lead.

10.6.2 Use fingerstalls of soft gloves in order to keep clean display quality, when persons handle the LCD module for incoming inspection or assembly.

10.6.3 When the surface is dusty, please wipe gently with absorbent cotton or other soft material.

10.6.4 Wipe off saliva or water drops as soon as possible. If saliva or water drops contact with polarizer for a long time, they may causes deformation or color fading.

10.6.5 When cleaning the adhesives, please use absorbent cotton wetted with a little petroleum benzine or other adequate solvent.

Document Title	HSD150SX84 Product information	Page No.	32 / 32
Document No.	---	Revision	1.0

10.7 Mechanism

Please mount LCD module by using mounting holes arranged in **both sides** tightly.

Torque : 3 kgf/ cm (Max.)

10.8 Static Electricity

10.8.1 Protection film must remove very slowly from the surface of LCD module to prevent from electrostatic occurrence.

10.8.2 Because LCD module uses CMOS-IC on circuit board and TFT-LCD panel, it is very weak to electrostatic discharge. Please be careful with electrostatic discharge.

10.8.3 Persons who handle the module should be grounded through adequate methods.

10.9 Strong Light Exposure

The module shall not be exposed under strong light such as direct sunlight. Otherwise, display characteristics may be changed.

10.10 Disposal

When disposing LCD module, obey the local environmental regulations.