

Features

- This Circuit is Processed in Accordance to MIL-STD-883 and is Fully Conformant Under the Provisions of Paragraph 1.2.1.
- Block Oriented 24-Bit Sequencer
- Configurable as Two Independent 12-Bit Sequencers
- 24 x 24 Crosspoint Switch
- Programmable Delay on 12 Outputs 9-
- Multi-Chip Synchronization Signals
- Standard μ P Interface
- 100pF Drive on Outputs
- DC to 40MHz Clock Rate

Applications

- 1-D, 2-D Filtering
- Pan/Zoom Addressing
- FFT Processing
- Matrix Math Operations

Ordering Information

PART NUMBER	TEMP. RANGE (°C)	PACKAGE	PKG. NO.
HSP45240GM-25/883	-55 to 125	68 Ld PGA	
HSP45240GM-33/883	-55 to 125	68 Ld PGA	
HSP45240GM-40/883	-55 to 125	68 Ld PGA	

Description

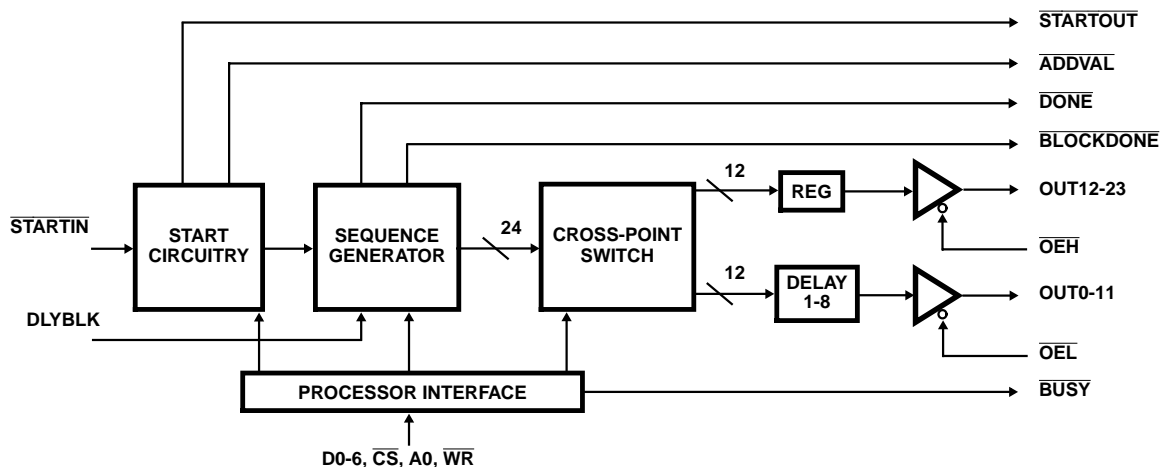
The Intersil HSP45240/883 is a high speed Address Sequencer which provides specialized addressing for functions like FFTs, 1-D and 2-D filtering, matrix operations, and image manipulation. The sequencer supports block oriented addressing of large data sets up to 24 bits at clock speeds up to 40MHz.

Specialized addressing requirements are met by using the onboard 24 x 24 crosspoint switch. This feature allows the mapping of the 24 address bits at the output of the address generator to the 24 address outputs of the chip. As a result, bit reverse addressing, such as that used in FFTs, is made possible.

A single chip solution to read/write addressing is also made possible by configuring the HSP45240 as two 12-bit sequencers. To compensate for system pipeline delay, a programmable delay is provided on 12 of the address outputs.

The HSP45240 is manufactured using an advanced CMOS process, and is a low power fully static design. The configuration of the device is controlled through a standard microprocessor interface and all inputs/outputs, with the exception of clock, are TTL compatible.

Block Diagram



HSP45240/883

Absolute Maximum Ratings

Supply Voltage +8.0V
 Input, Output Voltage Applied GND -0.5V to V_{CC} +0.5V
 ESD Classification Class 1

Operating Conditions

Temperature Range -55°C to 125°C
 Voltage Range +4.5V to +5.5V

Thermal Information

Thermal Resistance (Typical, Note 1) θ_{JA} (°C/W) θ_{JC} (°C/W)
 PGA Package 37.1 10.1
 Maximum Package Power Dissipation at 125°C
 PGA Package 1.35W
 Maximum Junction Temperature 175°C
 Maximum Storage Temperature Range -65°C to 150°C
 Maximum Lead Temperature (Soldering 10s) 300°C

Die Characteristics

Gate Count 8,388

CAUTION: Stresses above those listed in "Absolute Maximum Ratings" may cause permanent damage to the device. This is a stress only rating and operation of the device at these or any other conditions above those indicated in the operational sections of this specification is not implied.

NOTE:

- θ_{JA} is measured with the component mounted on an evaluation PC board in free air.

TABLE 1. DC ELECTRICAL SPECIFICATIONS

Device Guaranteed and 100% Tested

PARAMETER	SYMBOL	TEST CONDITIONS	GROUP A SUB- GROUPS	TEMPERATURE (°C)	LIMITS		UNITS
					MIN	MAX	
Logical One Input Voltage	V_{IH}	$V_{DD} = 5.5V$	1, 2, 3	$-55 \leq T_A \leq 125$	2.2	-	V
Logical Zero Input Voltage	V_{IL}	$V_{DD} = 4.5V$	1, 2, 3	$-55 \leq T_A \leq 125$	-	0.8	V
Output HIGH Voltage	V_{OH}	$I_{OH} = -400\mu A$ $V_{DD} = 4.5V$ (Note 2)	1, 2, 3	$-55 \leq T_A \leq 125$	2.6	-	V
Output LOW Voltage	V_{OL}	$I_{OL} = +2.0mA$ $V_{CC} = 4.5V$ (Note 2)	1, 2, 3	$-55 \leq T_A \leq 125$	-	0.4	V
Input Leakage Current	I_I	$V_{IN} = V_{CC}$ or GND $V_{CC} = 5.5V$	1, 2, 3	$-55 \leq T_A \leq 125$	-10	+10	μA
Output Leakage Current	I_O	$V_{OUT} = V_{CC}$ or GND $V_{CC} = 5.5V$	1, 2, 3	$-55 \leq T_A \leq 125$	-10	+10	μA
Clock Input High	V_{IHC}	$V_{CC} = 5.5V$	1, 2, 3	$-55 \leq T_A \leq 125$	3.0	-	V
Clock Input Low	V_{ILC}	$V_{CC} = 4.5V$	1, 2, 3	$-55 \leq T_A \leq 125$	-	0.8	V
Standby Power Supply Current	I_{CCSB}	$V_{IN} = V_{CC}$ or GND $V_{CC} = 5.5V$, Outputs Open	1, 2, 3	$-55 \leq T_A \leq 125$	-	500	μA
Operating Power Supply Current	I_{CCOP}	$f = 33MHz$ $V_{CC} = 5.5V$ (Note 3)	1, 2, 3	$-55 \leq T_A \leq 125$	-	99	mA
Functional Test	FT	(Note 4)	7, 8	$-55 \leq T_A \leq 125$	-	-	

NOTES:

- Interchanging of force and sense conditions is permitted.
- Operating Supply Current is proportional to frequency, typical rating is 3mA/MHz.
- Tested as follows: $t = 1MHz$, $V_{IH} = 2.6$, $V_{IL} = 0.4$, $V_{OH} \geq 1.5V$, $V_{OL} \leq 1.5V$, $V_{IHC} = 3.4V$, and $V_{ILC} = 0.4V$.

HSP45240/883

TABLE 2. AC ELECTRICAL SPECIFICATIONS

Device Guaranteed and 100% Tested

PARAMETER	SYMBOL	GROUP A SUBGROUP	TEMPERATURE (°C)	-25 (25MHz)		-33 (33MHz)		-40 (40MHz)		UNITS
				MIN	MAX	MIN	MAX	MIN	MAX	
Clock Period	t _{CP}	9, 10, 11	-55 ≤ T _A ≤ 125	39	-	30	-	25	-	ns
Clock Pulse Width High	t _{CH}	9, 10, 11	-55 ≤ T _A ≤ 125	15	-	12	-	10	-	ns
Clock Pulse Width Low	t _{CL}	9, 10, 11	-55 ≤ T _A ≤ 125	15	-	12	-	10	-	ns
Setup Time D0-6 to \overline{WR} High	t _{DS}	9, 10, 11	-55 ≤ T _A ≤ 125	17	-	16	-	14	-	ns
Hold Time D0-6 from \overline{WR} Low	t _{DH}	9, 10, 11	-55 ≤ T _A ≤ 125	0	-	0	-	0	-	ns
Setup Time A, \overline{CS} to \overline{WR} Low	t _{AS}	9, 10, 11	-55 ≤ T _A ≤ 125	5	-	5	-	5	-	ns
Hold Time A, \overline{CS} from \overline{WR} High	t _{AH}	9, 10, 11	-55 ≤ T _A ≤ 125	0	-	0	-	0	-	ns
Pulse Width for \overline{WR} Low	t _{WRL}	9, 10, 11	-55 ≤ T _A ≤ 125	18	-	14	-	12	-	ns
Pulse Width for \overline{WR} High	t _{WRH}	9, 10, 11	-55 ≤ T _A ≤ 125	18	-	14	-	12	-	ns
\overline{WR} Cycle Time	t _{WP}	9,10,11	-55 ≤ T _A ≤ 125	39	-	30	-	25	-	ns
Set-up Time $\overline{STARTIN}$, \overline{DLYBLK} , to Clock High	t _{IS}	9, 10, 11	-55 ≤ T _A ≤ 125	15	-	12	-	10	-	ns
Hold Time $\overline{STARTIN}$, \overline{DLYBLK} , to Clock High	t _{IH}	9, 10, 11	-55 ≤ T _A ≤ 125	0	-	0	-	0	-	ns
Clock to Output Prop. Delay on OUT0-23	t _{PDO}	9, 10, 11	-55 ≤ T _A ≤ 125	-	18	-	16	-	14	ns
Clock to Prop. Delay, on $\overline{STARTOUT}$, $\overline{BLKDONE}$, \overline{DONE} , \overline{ADVAL} , and \overline{BUSY}	t _{PDS}	9, 10, 11	-55 ≤ T _A ≤ 125	-	18	-	16	-	14	ns
Output Enable Time (Note 6)	t _{EN}	9, 10, 11	-55 ≤ T _A ≤ 125	-	22	-	20	-	15	ns
\overline{RST} Low Time	t _{RST}	9, 10, 11	-55 ≤ T _A ≤ 125	2 Clock Cycles						ns

NOTES:

- AC Testing: V_{CC} = 4.5V and 5.5V, inputs are driven at 3.0V for Logic "1" and 0.0V for a Logic "0". Input and output timing measurements are made at 1.5V for both a logic "1" and "0". CLK is driven at 4.0V and 0V and measured at 2.0V.
- Transition is measured at ±200mV from steady state voltage with loading as specified by test load circuit and C_L = 40pF.

TABLE 3. ELECTRICAL PERFORMANCE SPECIFICATIONS

PARAMETERS	SYMBOL	TEST CONDITIONS	NOTES	TEMPERATURE	-25 (25MHz)		-33 (33MHz)		-40 (40MHz)		UNITS
					MIN	MAX	MIN	MAX	MIN	MAX	
Input Capacitance	C _{IN}	V _{CC} = Open, f = 1MHz, All measurements are referenced to device GND.	7	T _A = 25	-	10	-	10	-	10	pF
Output Capacitance	C _{OUT}	V _{CC} = Open, f = 1MHz, All measurements are referenced to device GND.	7	T _A = 25	-	10	-	10	-	10	pF
Output Disable	t _{OEZ}		7, 8	-55 ≤ T _A ≤ 125	-	22	-	20	-	15	ns

HSP45240/883

TABLE 3. ELECTRICAL PERFORMANCE SPECIFICATIONS (Continued)

PARAMETERS	SYMBOL	TEST CONDITIONS	NOTES	TEMPERATURE	-25 (25MHz)		-33 (33MHz)		-40 (40MHz)		UNITS
					MIN	MAX	MIN	MAX	MIN	MAX	
					Output Rise Time	t _{OR}		7, 8	-55 ≤ T _A ≤ 125	-	
Output Fall Time	t _{OF}		7, 8	-55 ≤ T _A ≤ 125	-	5	-	5	-	3	ns

NOTES:

7. Parameters listed in Table 3 are controlled via design or process parameters and are not directly tested. These parameters are characterized upon initial design and after major process and/or design changes.

8. Loading is as specified in the test load circuit with C_L = 40pF.

TABLE 4. ELECTRICAL TEST REQUIREMENTS

CONFORMANCE GROUPS	METHOD	SUBGROUPS
Initial Test	100%/5004	-
Interim Test	100%/5004	-
PDA	100%	1
Final Test	100%	2, 3, 8A, 8B, 10, 11
Group A	-	1, 2, 3, 7, 8A, 8B, 9, 10, 11
Groups C and D	Samples/5005	1, 7, 9

HSP45240/883

Burn-In Circuit

L		OE \overline{H}	DLY BLK	START OUT	V _{CC}	BLOCK DONE	GND	OUT1	OUT2	NC	
K	NC	NC	OE \overline{L}	START IN	ADD VAL	BUSY	DONE	OUT0	V _{CC}	NC	OUT3
J	RST $\overline{}$	V _{CC}								GND	OUT4
H	CLK	GND								OUT5	V _{CC}
G	CS $\overline{}$	A0								OUT6	OUT7
F	WR $\overline{}$	GND								GND	OUT8
E	D6	D5								OUT9	V _{CC}
D	D4	D3								OUT10	OUT11
C	D2	D1								GND	OUT12
B	D0	NC	OUT22	OUT21	GND	OUT18	OUT17	GND	OUT14	NC	NC
A		GND	OUT23	V _{CC}	OUT20	OUT19	V _{CC}	OUT16	OUT15	OUT13	
	1	2	3	4	5	6	7	8	9	10	11

PGA PIN	PIN NAME	BURN-IN SIGNAL	PGA PIN	PIN NAME	BURN-IN SIGNAL	PGA PIN	PIN NAME	BURN-IN SIGNAL	PGA PIN	PIN NAME	BURN-IN SIGNAL
A2	GND	GND	B9	OUT14	V _{CC} /2	F11	OUT8	V _{CC} /2	K6	BUSYB	V _{CC} /2
A3	OUT23	V _{CC} /2	C1	D2	F10	G1	CSB	F5	K7	DONEB	V _{CC} /2
A4	V _{CC}	V _{CC}	C2	D1	F9	G2	A0	F6	K8	OUT0	V _{CC} /2
A5	OUT20	V _{CC} /2	C10	GND	GND	G10	OUT6	V _{CC} /2	K9	V _{CC}	V _{CC}
A6	OUT19	V _{CC} /2	C11	OUT12	V _{CC} /2	G11	OUT7	V _{CC} /2	K11	OUT3	V _{CC} /2
A7	V _{CC}	V _{CC}	D1	D4	F12	H1	CLK	F0	L2	OE \overline{H} B	F13
A8	OUT16	V _{CC} /2	D2	D3	F11	H2	GND	GND	L3	DLYBLK	F11
A9	OUT15	V _{CC} /2	D10	OUT10	V _{CC} /2	H10	OUTS	V _{CC} /2	L4	STARTOUTB	V _{CC} /2
A10	OUT13	V _{CC} /2	D11	OUT11	V _{CC} /2	H11	V _{CC}	V _{CC}	LS	V _{CC}	V _{CC}
B1	D0	F8	E1	D6	F7	J1	RSTB	F14	L6	BLOCKDONEB	V _{CC} /2
B3	OUT22	V _{CC} /2	E2	D5	F13	J2	V _{CC}	V _{CC}	L7	GND	GND
B4	OUT21	V _{CC} /2	E10	OUT9	V _{CC} /2	J10	GND	GND	L8	OUT1	V _{CC} /2
B5	GND	GND	E11	V _{CC}	V _{CC}	J1 1	OUT4	V _{CC} /2	L9	OUT2	V _{CC} /2
B6	OUT18	V _{CC} /2	F1	WRB	F4	K3	OELB	F12			
B7	OUT17	V _{CC} /2	F2	GND	GND	K4	START1NB	F6			
B8	GND	GND	F10	GND	GND	K5	ADVALB	V _{CC} /2			

NOTES:

9. V_{CC}/2 (2.7V ±10%) used for outputs only.
10. 47Ω (±20%) resistor connected to all pins except V_{CC} and GND.
11. V_{CC} = 5.5 ±0.5V.
12. 0.1μF (min) capacitor between V_{CC} and GND per position.
13. F0 = 100kHz ±10%, F1 = F0/2, F2 = F1/2....., F11 = F10/2, 40% -60% Duty Cycle.
14. Input voltage limits: V_{IL} = 0.8V max., V_{IH} = 4.5V ±10%.

HSP45240/883

Die Characteristics

DIE DIMENSIONS:

186 mils x 222 mils x 19 ±1mils

METALLIZATION:

Type: Si - Al or Si-Al-Cu
 Thickness: 8kÅ

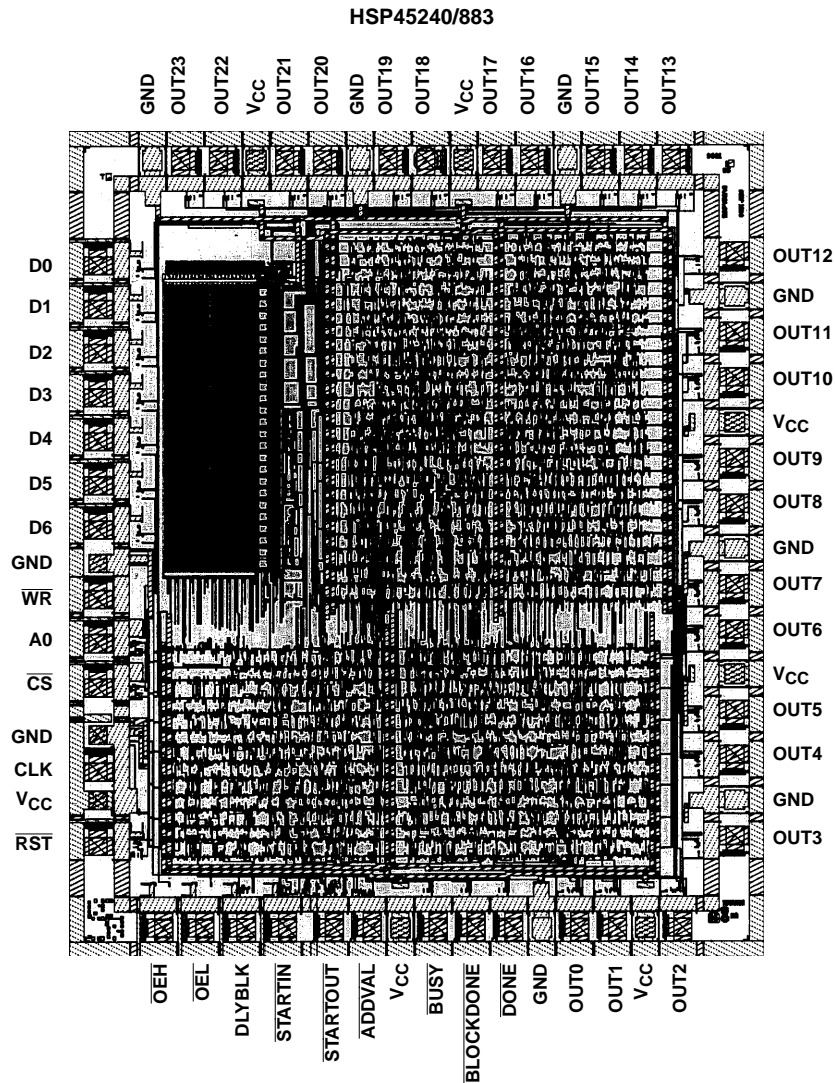
GLASSIVATION:

Type: Nitrox
 Thickness: 10kÅ

WORST CASE CURRENT DENSITY:

$1.8 \times 10^5 \text{A/cm}^2$

Metallization Mask Layout



All Intersil semiconductor products are manufactured, assembled and tested under **ISO9000** quality systems certification.

Intersil products are sold by description only. Intersil Corporation reserves the right to make changes in circuit design and/or specifications at any time without notice. Accordingly, the reader is cautioned to verify that data sheets are current before placing orders. Information furnished by Intersil is believed to be accurate and reliable. However, no responsibility is assumed by Intersil or its subsidiaries for its use; nor for any infringements of patents or other rights of third parties which may result from its use. No license is granted by implication or otherwise under any patent or patent rights of Intersil or its subsidiaries.

For information regarding Intersil Corporation and its products, see web site <http://www.intersil.com>