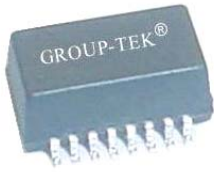


10/100BASE MODUES

10/100BASE TRANSFORMER

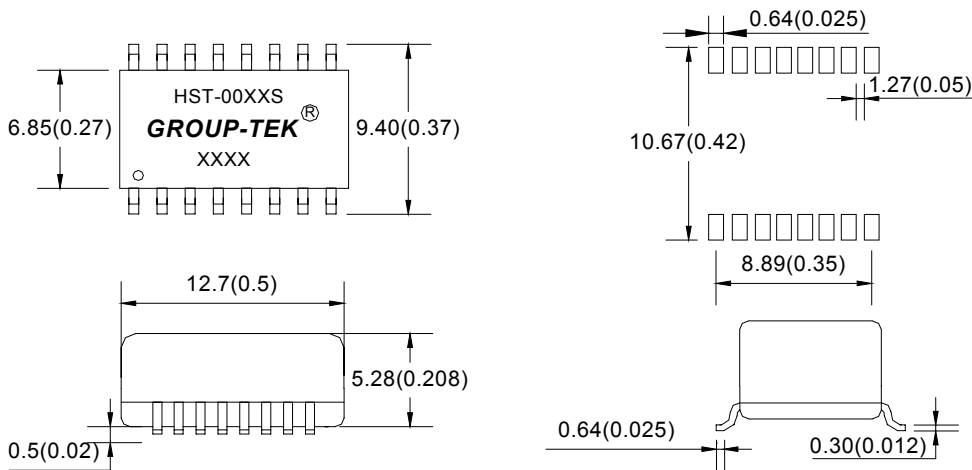


FEATURES

- Designed to meet IEEE 802.3 requirements
- Primary inductance(Lp)350uH min.
@ 100KHz 0.1Vrms 8mA
- Hipot:1500Vrms

Electrical Specification@25°C			Operating Temperature 0 to 70°C										
Part No.	Turns Ratio		Insertion loss (dB max)	Return loss (dB typical .) MHz			Differential to Common Mode Rejection (dB typ)			Crosstalk			Schematic
	TX	RX		100KHz-100MHz	30MHz	60MHz	80MHz	30MHz	50MHz	100MHz	30MHz	60MHz	
HST-0041S	1:1	1:1	1.1	-20	-14	-11.5	-42	-37	-33	-45	-40	-35	A
HST-0042S	1:1	1:1	1.0	-18	-14	-12	-40	-40	-40	-35	-35	-35	B
HST-0043S	1:1.414	1:1	1.1	-18	-12	-11.5	-42	-37	-30	-45	-40	-35	A
HST-0044S	1:1	1:1	1.1	-20	-14	-11.5	-42	-37	-33	-45	-40	-35	C

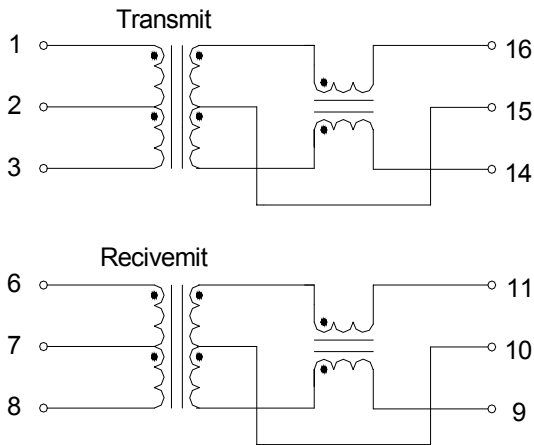
Dimension: mm(inch)+/-0.25(0.01)



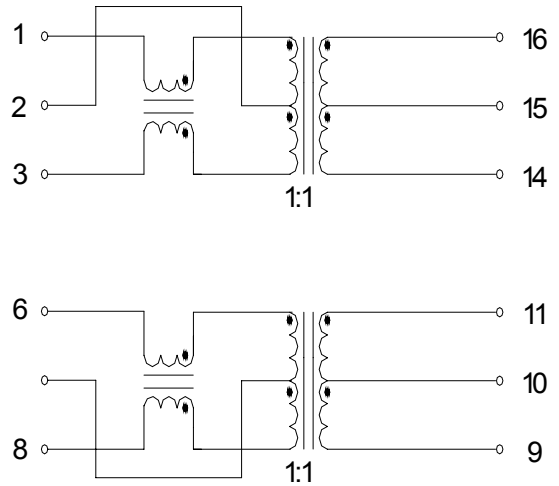
10/100BASE TRANSFORMER

Schematic

A



B



C

