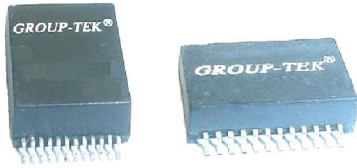


### 1000BASE-T MAGNETICS MODULES Designed to Support 1:1 Turns Ratio Transceivers

#### FEATURES



Designed for long haul Gigabit Ethernet 100/1000Base-T full duplex applications.

Supports 4 pairs of category 5 UTP cable

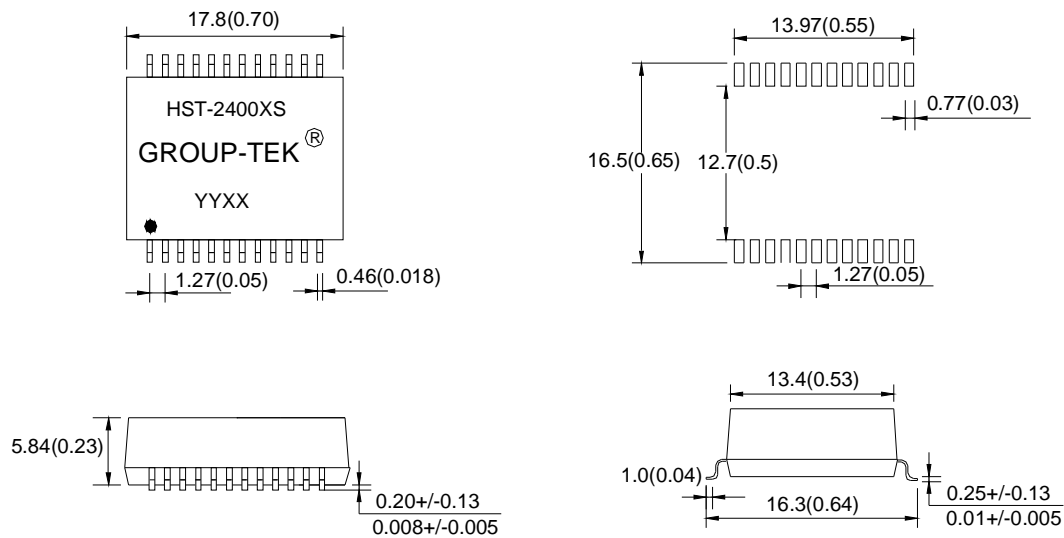
Cable interface for isolation and low common mode emissions

Compliant with IEEE 802.3ab standard for 1000Base-T

Part No.	Electrical Specification@25						Operating Temperature 0 to 70						Hipot (Vrms MIN)
	Insertion Loss (dB MAX)	Return Loss (dB MIN @ 100 ) MHz					Differential to Common Mode Rejection (dB MIN) MHz			Crosstalk (dB MIN) MHz			
		1-100 MHz	1-30	40	50	60-80	100	30	60	100	30	60	
HST-24001S	1.0	-18	-14.4	-13.1	-12	-10	-43	-37	-33	-45	-40	-35	1500
HST-24002S	1.4	-18	-14.4	-13.1	-12	-10	-43	-37	-33	-45	-35	-30	1500
HST-24004S	1.0	-18	-14.4	-13.1	-12	-10	-43	-37	-33	-45	-40	-35	1500
HST-24005S	1.1	-16	-14	-13	-12	-10	-43	-37	-33	-43	-37	-33	1500
HST-24006S	1.2	-16	-14	-13	-12	-10	-50	-43	-35	-43	-37	-33	1500
HST-24011S	1.0	-18	-14.4	-13.1	-12	-10	-43	-37	-33	-45	-40	-30	1500

**Dimension:** mm(inch)+/-0.25(0.01)

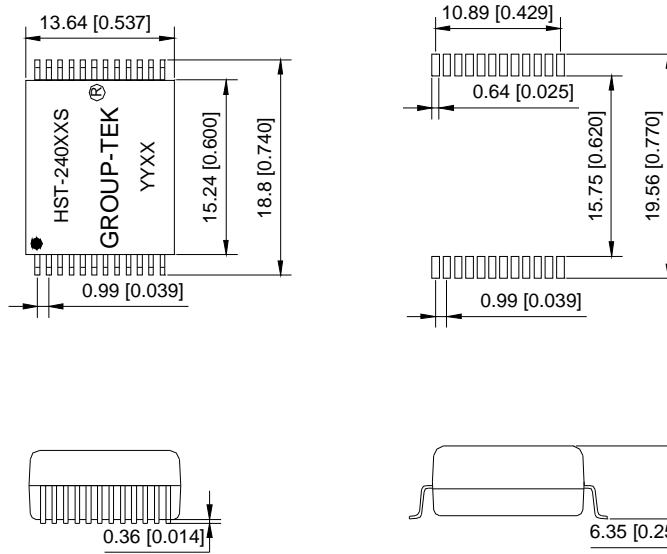
HST-24001S HST24002S



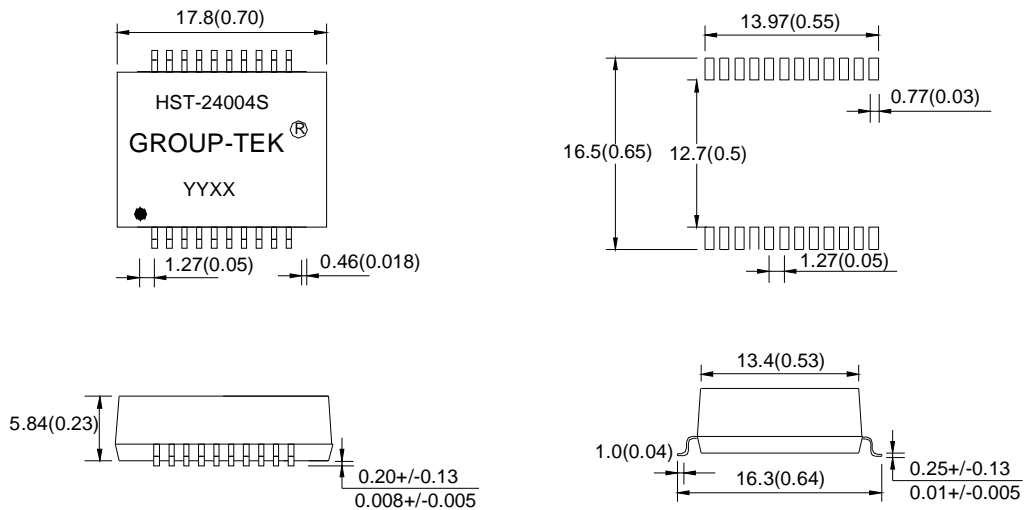
## 1000BASE-T MAGNETICS MODULES Designed to Support 1:1 Turns Ratio Transceivers

**Dimension:** mm(inch) $\pm$ 0.25(0.01)

HST-24005S HST24006S HST24011S



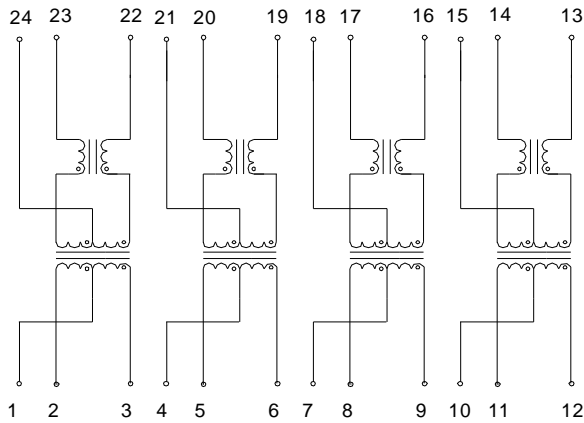
HST-24004S



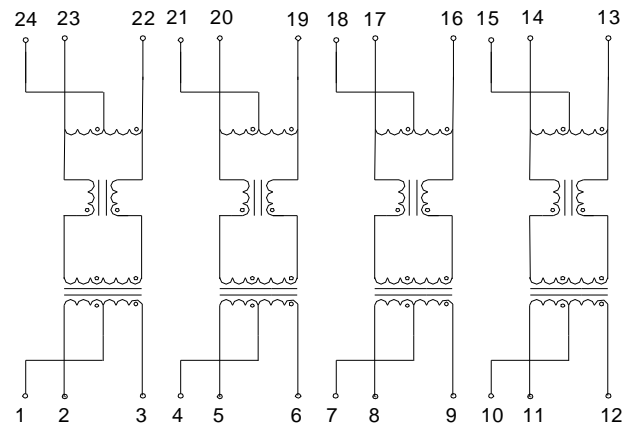
**1000BASE-T MAGNETICS MODULES**  
**Designed to Support 1:1 Turns Ratio Transceivers**

**Schematic**

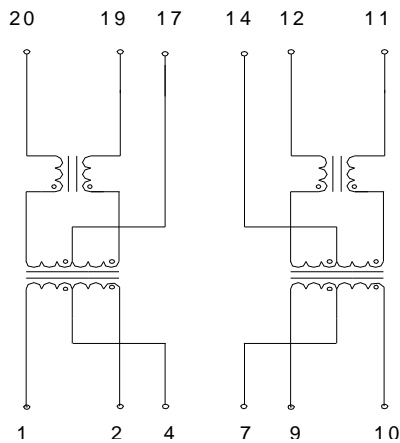
HST-24001S



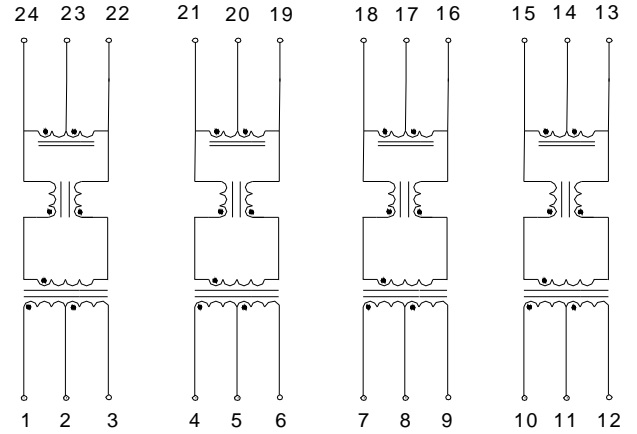
HST-24002S HST-24011S



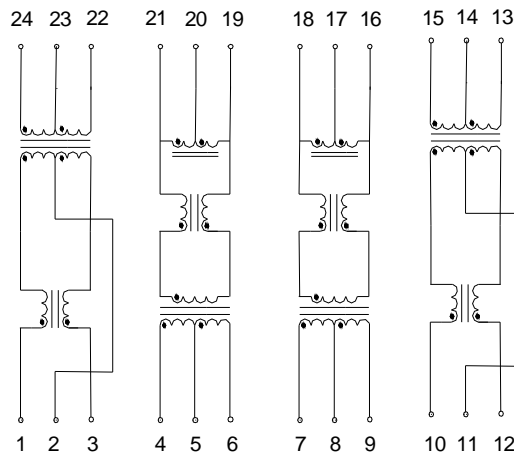
HST-24004S



HST-24005S



HST-24006S



## 1000BASE-T MAGNETICS MODULES

### Designed to Support 1:1 Turns Ratio Transceivers



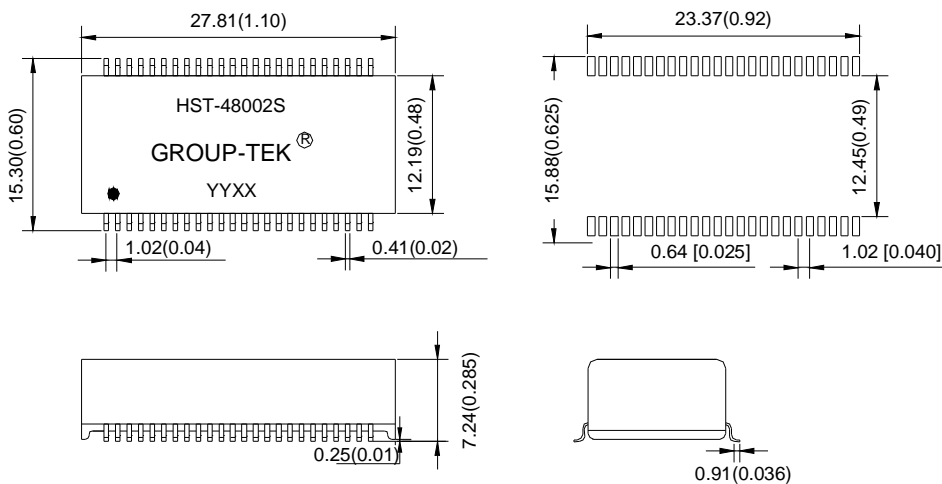
### FEATURES

- Designed for long haul Gigabit Ethernet 100/1000Base-T full duplex applications.
- Supports 4 pairs of category 5 UTP cable
- Cable interface for isolation and low common mode emissions
- Compliant with IEEE 802.3ab standard for 1000Base-T

Electrical Specification@25							Operating Temperature 0 to 70						
Part No.	Insertion Loss (dB MAX)	Return Loss (dB MIN @ 100 )					Differential to Common Mode Rejection (dB MIN)			Crosstalk (dB MIN)			Hipot (Vrms MIN)
		MHz					30MHz	60MHz	100MHz	30	60	100	
	1-100 MHz	1-30	40	50	60-80	100							
HST-48001S	1.0	-18	-14.4	-13.1	-12	-10	-43	-37	-33	-45	-40	-35	1500
HST-48002S	1.4	-18	-14.4	-13.1	-12	-10	-43	-37	-33	-45	-35	-30	1500

**Dimension:** mm(inch)+/-0.25(0.01)

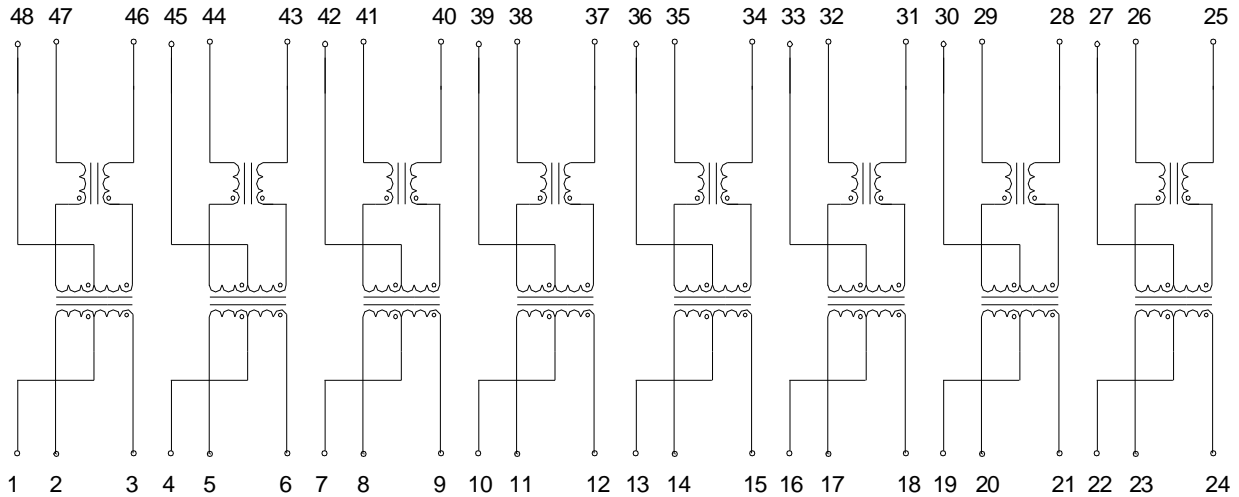
HST-48001S HST-48002S



**1000BASE-T MAGNETICS MODULES**  
**Designed to Support 1:1 Turns Ratio Transceivers**

**Schematic**

HST-48001S



## 1000BASE-T MAGNETICS MODULES Designed to Support 1:1 Turns Ratio Transceivers

### Schematic

HST-48002S

