

## 10/100BASE-TX TRANSFORMER MODULES

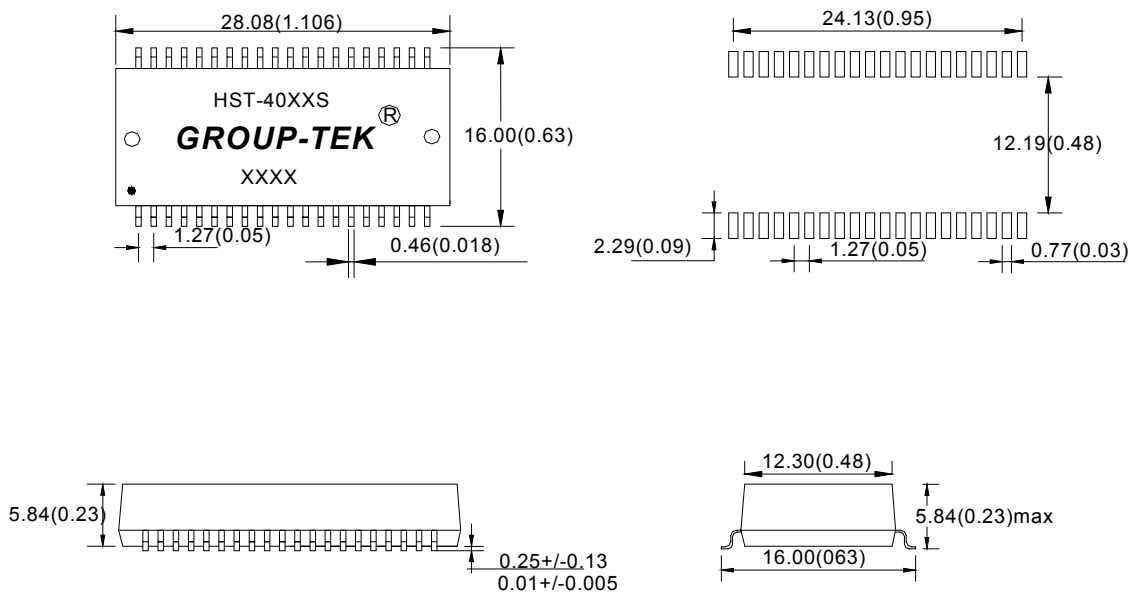


### FEATURES

- Symmetrical TX and RX channels for auto MDI/MDIX capability.
- Approved for use with Broadcom BCM5226/BCM5228 and Level One LXT9784.
- Compliant with IEEE 802.3u and ANSI X.3.263 standards
- Primary inductance (LP):350uH,min.@100KHz 0.1Vrms 8mA

Electrical Specification@25°C    Operating Temperature 0 to 70°C													
Part No.	Turn Ratio RX:TX .	Insertion loss (dB max) 0.1-100MHz	Return loss(dB min .) MHz				CMRR (dB typ .) MHz		Crosstalk (dB min .) MHz				Isolation Volage (Vrms)
			2-30	40	50	60-80	1-60	60-200	0.1	30	60	100	
HST-4047S	1CT:1CT 1CT :1CT	-1.0	-18	-14.4	-13.1	-12 -37		-25 -55		-45	-40	-33	1500
HST-4050S	1CT:1CT 1CT :1CT	-1.0	-18	-14.4	-13.1	-12 -37		-25 -55		-45	-40	-33	1500
HST-4064S	1CT:1CT 1CT :1CT	-1.0	-18	-14.4	-13.1	-12 -37		-25 -55		-45	-40	-33	1500

**Dimension:** mm(inch)+/-0.25(0.01)

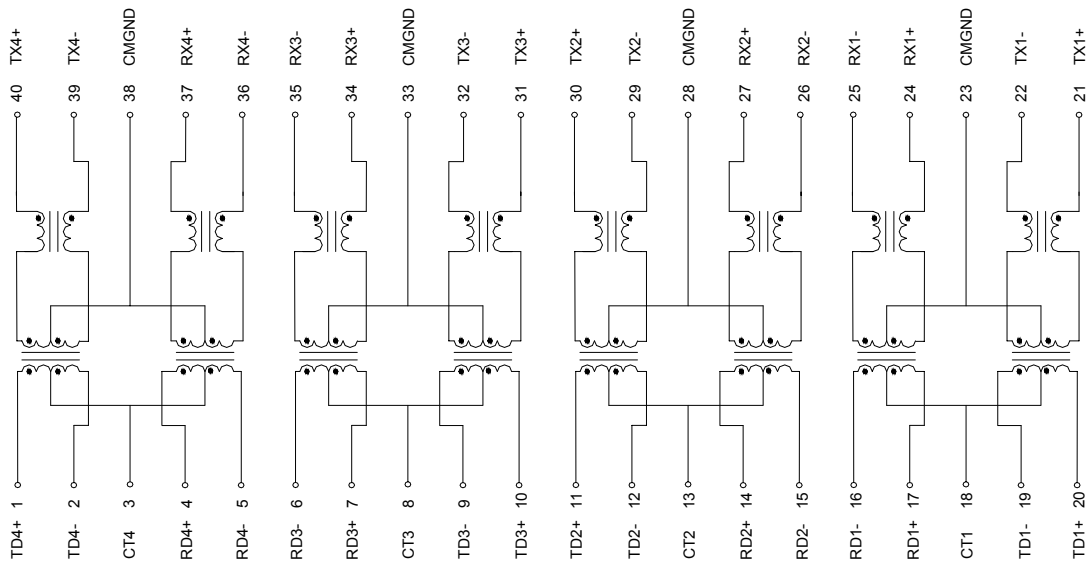


**10/100BASE MODUES**

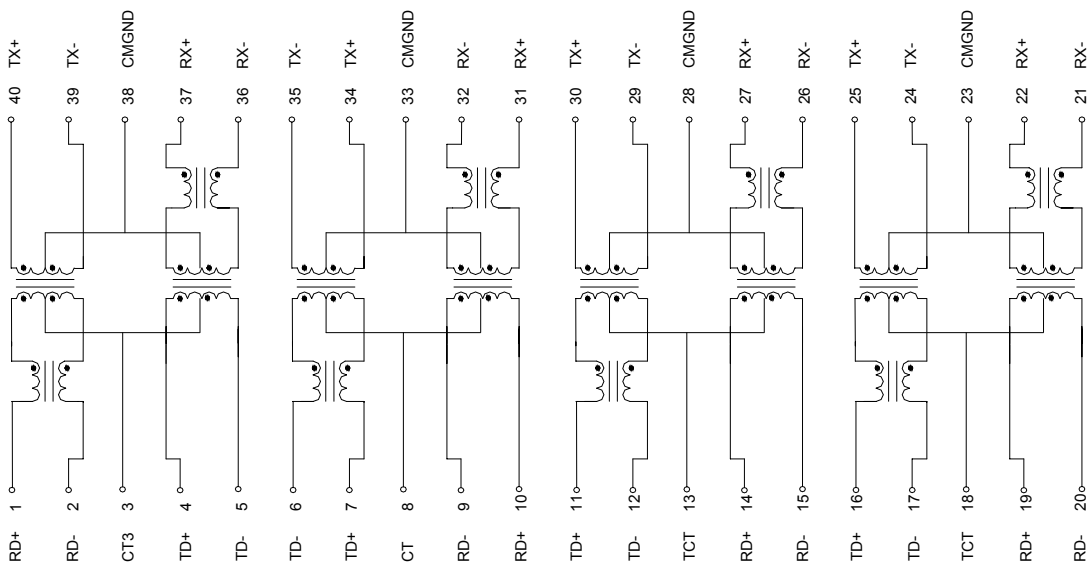
**10/100BASE-TX QUAD PORT  
SMT TRANSFORMERS**

**Schematic**

**HST-4047S**



**HST-4050S**



## 10/100BASE-TX TRANSFORMER MODULES

### Schematic

HST-4064S

