

Features:

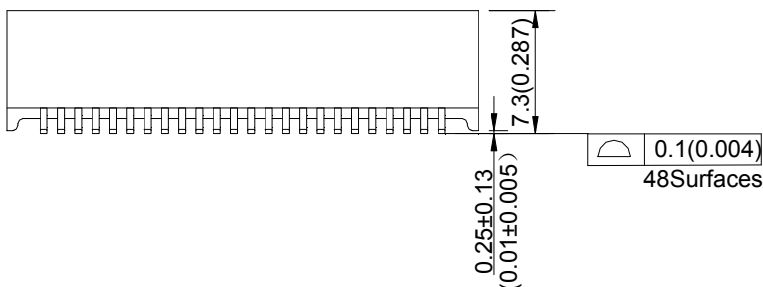
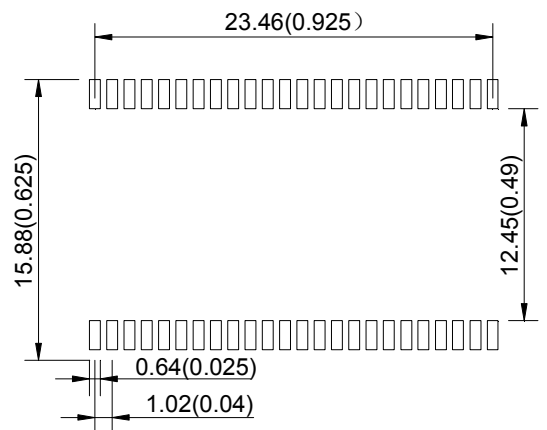
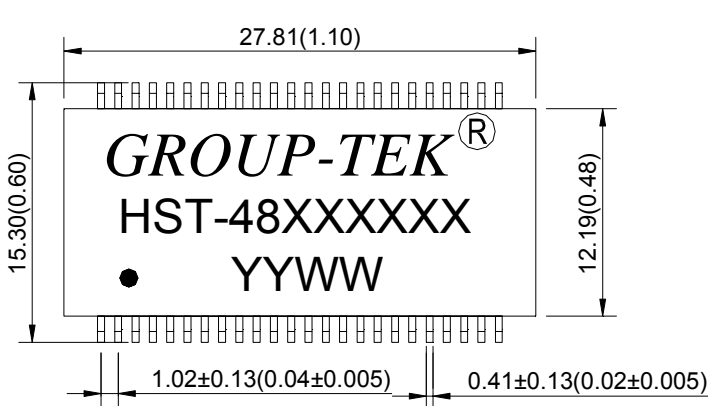


- Compliant with IEEE 802.3 standard for 1000Base-T.
- Primary inductance(Lp)350uH min.@100KHz,0.1Vrms,DC 8mA
- Capacitance between windings (Cww)30pF Max(at 100kHz, 0.1V).
- Leakage Inductance (LL) 0.5uH Max (at 100kHz, 0.1V),DCR 1.2Ω Max.
- DCR Pri 0.9ΩMax Sec 1.2Ω Max
- Balance Inductance (BL) 1.0uH Max (at 100kHz, 0.1V).
- Designed for reflow soldering at temperature 260°C Max.
- RoHS compliance.

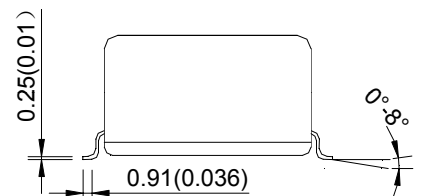
Electrical Specification@ 25°C

Part No.	Turn Ratio TX&RX (±5%)	PoE or Non PoE	Operating Temperature	Insertion Loss MHz (dB max)	Return Loss (dB min.) MHz		CMR (dB Min) MHz	Crosstalk (dB Min) MHz			Hipot (Vrms MIN)
					1-100	1-40		40-100	1-100	30	
HST-48001SCR	1CT:1CT&1CT:1CT	Non PoE	0°C to +70°C	-1.0	-18	12-20*log(f/80)	-30	-40	-35	-30	1500VAC/1mA/60S
HST-48001SXCR	1CT:1CT&1CT:1CT	Non PoE	-40°C to +85°C	-1.0	-18	12-20*log(f/80)	-30	-40	-35	-30	1500VAC/1mA/60S
HST-48002SAR	1CT:1CT&1CT:1CT	Non PoE	0°C to +70°C	-1.0	-18	12-20*log(f/80)	-30	-40	-35	-30	1500VAC/1mA/60S
HST-48003SR	1CT:1CT&1CT:1CT	Non PoE	0°C to +70°C	-1.0	-18	12-20*log(f/80)	-30	-40	-35	-30	1500VAC/1mA/60S
HST-48005SR	1CT:1CT&1CT:1CT	Non PoE	0°C to +70°C	-1.0	-18	12-20*log(f/80)	-30	-40	-35	-30	1500VAC/1mA/60S
HST-48006SR	1CT:1CT&1CT:1CT	PoE	0°C to +70°C	-1.2	-18	12-20*log(f/80)	-30	-40	-35	-30	1500VAC/1mA/60S
HST-48027SCR	1CT:1CT&1CT:1CT	Non PoE	0°C to +70°C	-1.0	-18	12-20*log(f/80)	-30	-40	-35	-30	1500VAC/1mA/60S
HST-48029SCR	1CT:1CT&1CT:1CT	PoE	0°C to +70°C	-1.4	-18	12-20*log(f/80)	-30	-40	-35	-30	1500VAC/1mA/60S
HST-48029SXCR	1CT:1CT&1CT:1CT	PoE	-40°C to +85°C	-1.4	-18	12-20*log(f/80)	-30	-40	-35	-30	1500VAC/1mA/60S
HST-48030SCR	1CT:1CT&1CT:1CT	PoE	0°C to +70°C	-1.4	-18	12-20*log(f/80)	-30	-40	-35	-30	1500VAC/1mA/60S
HST-48037SCR	1CT:1CT&1CT:1CT	PoE	0°C to +70°C	-1.0	-18	12-20*log(f/80)	-30	-40	-35	-30	1500VAC/1mA/60S
HST-48039SXCR	1CT:1CT&1CT:1CT	PoE	-40°C to +85°C	-1.0	-18	12-20*log(f/80)	-30	-40	-35	-30	1500VAC/1mA/60S
HST-48047SCR	1CT:1CT&1CT:1CT	Non PoE	0°C to +70°C	-1.0	-18	12-20*log(f/80)	-30	-40	-35	-30	1500VAC/1mA/60S

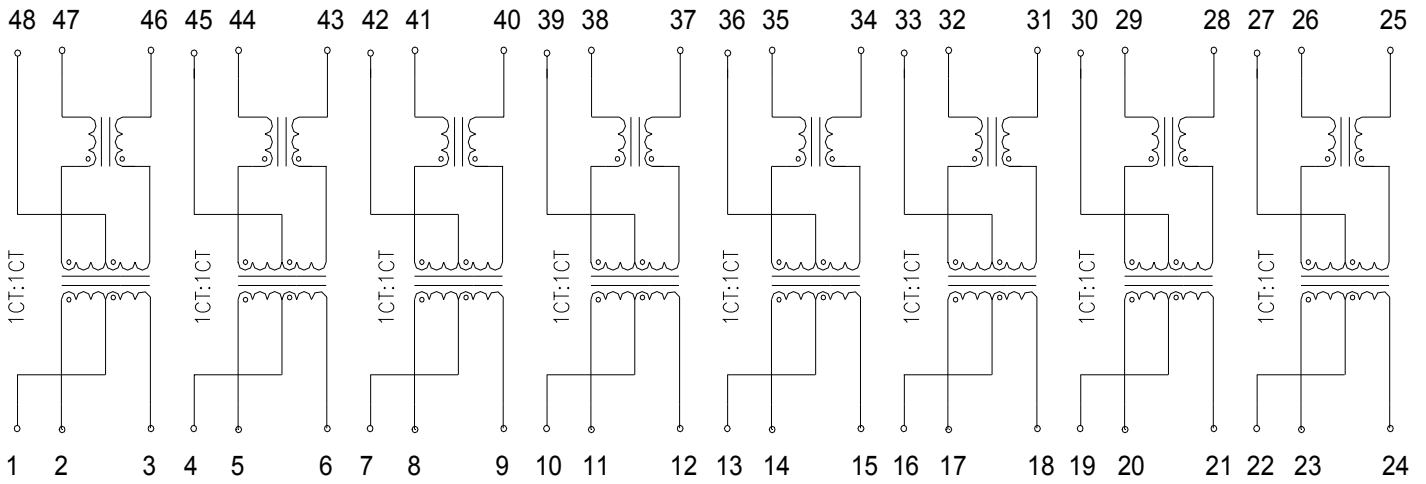
Dimension:mm(inch),Unless otherwise specified , all tolerance are+/-0.25(0.01)



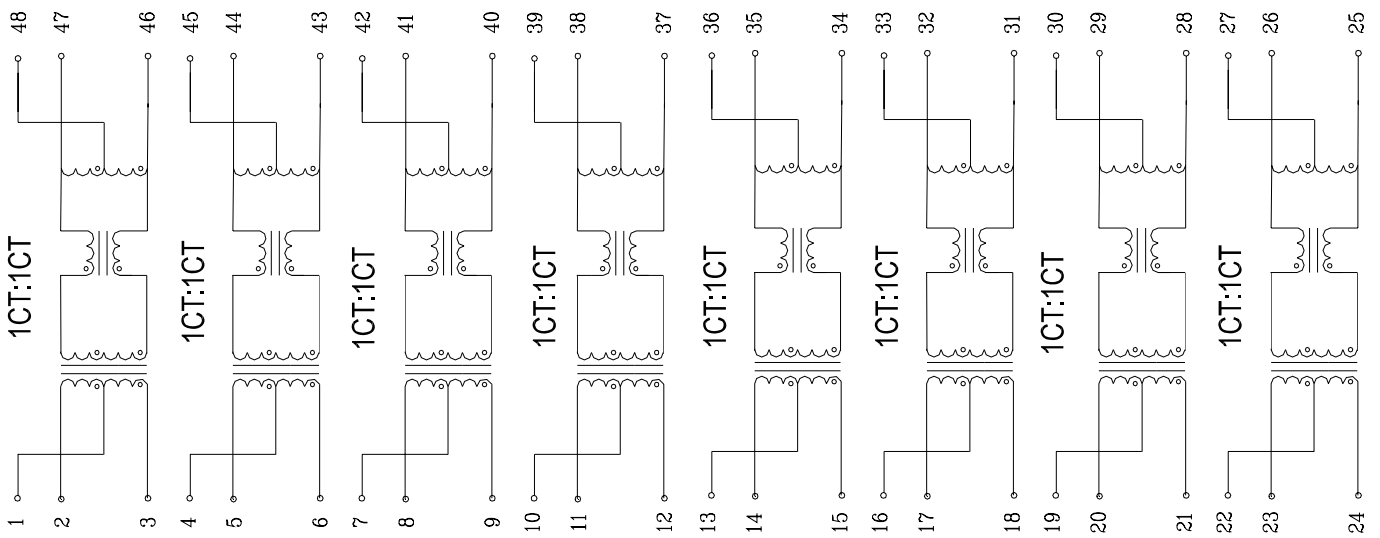
Recommend PAD Layout



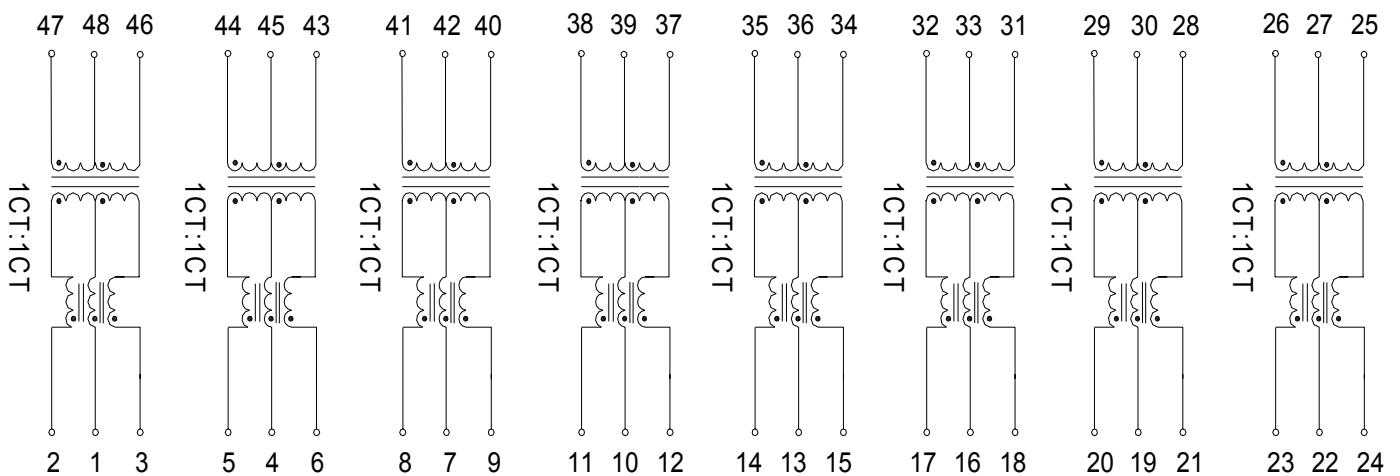
Schematic:HST-48001SCR/HST-48001SXCR/HST-48037SCR



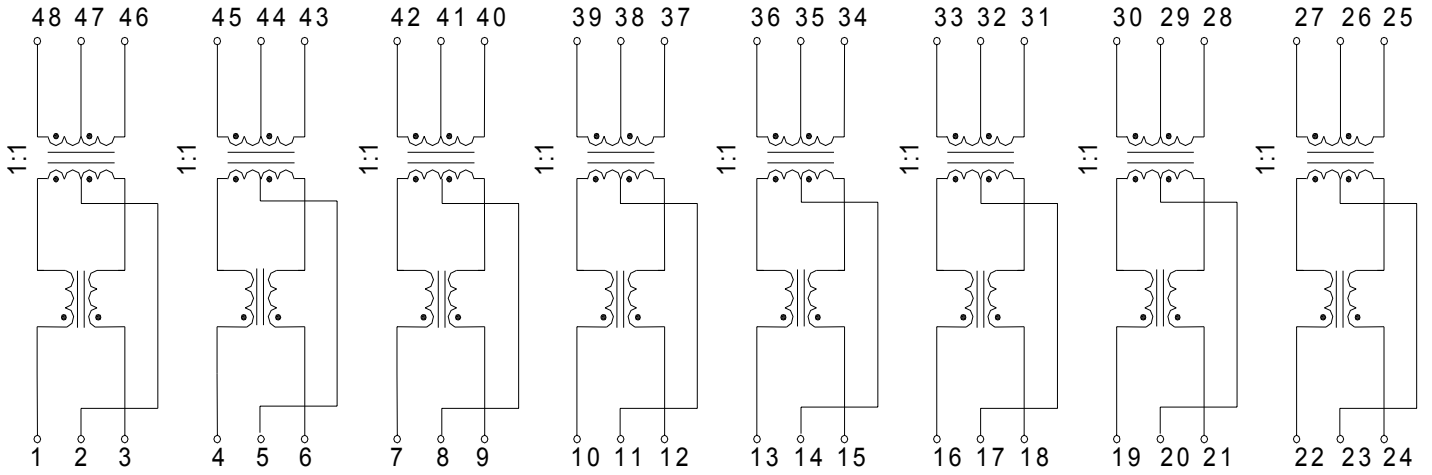
Schematic:HST-48002SAR



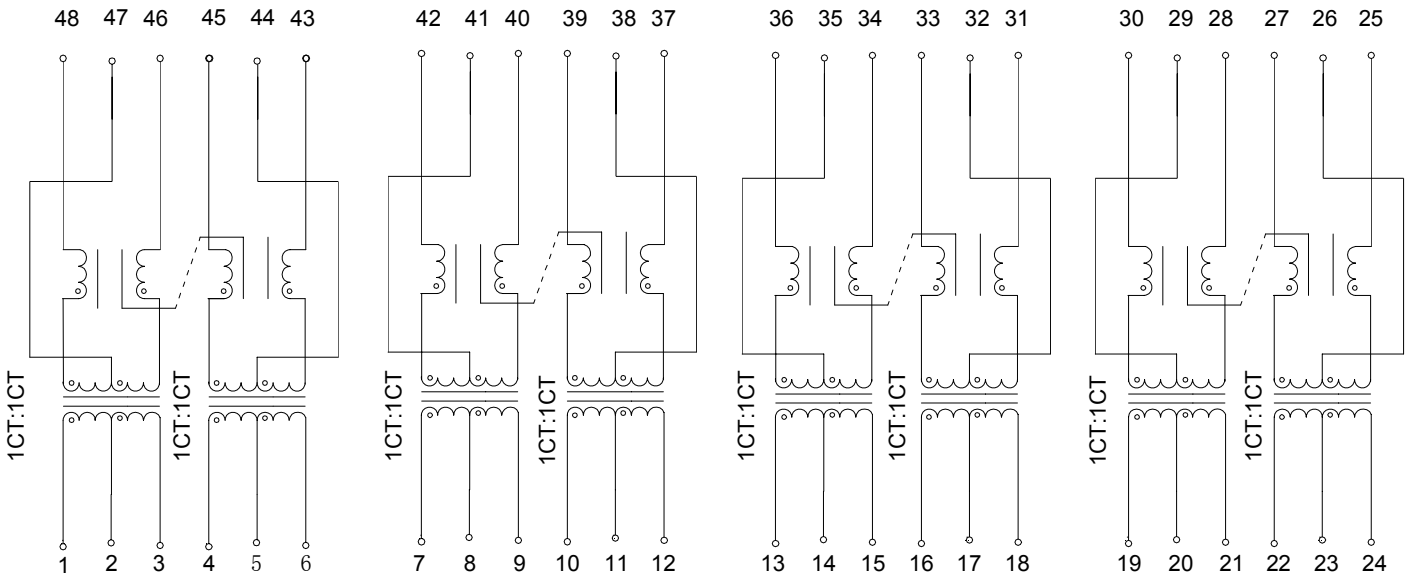
Schematic:HST-48003SR



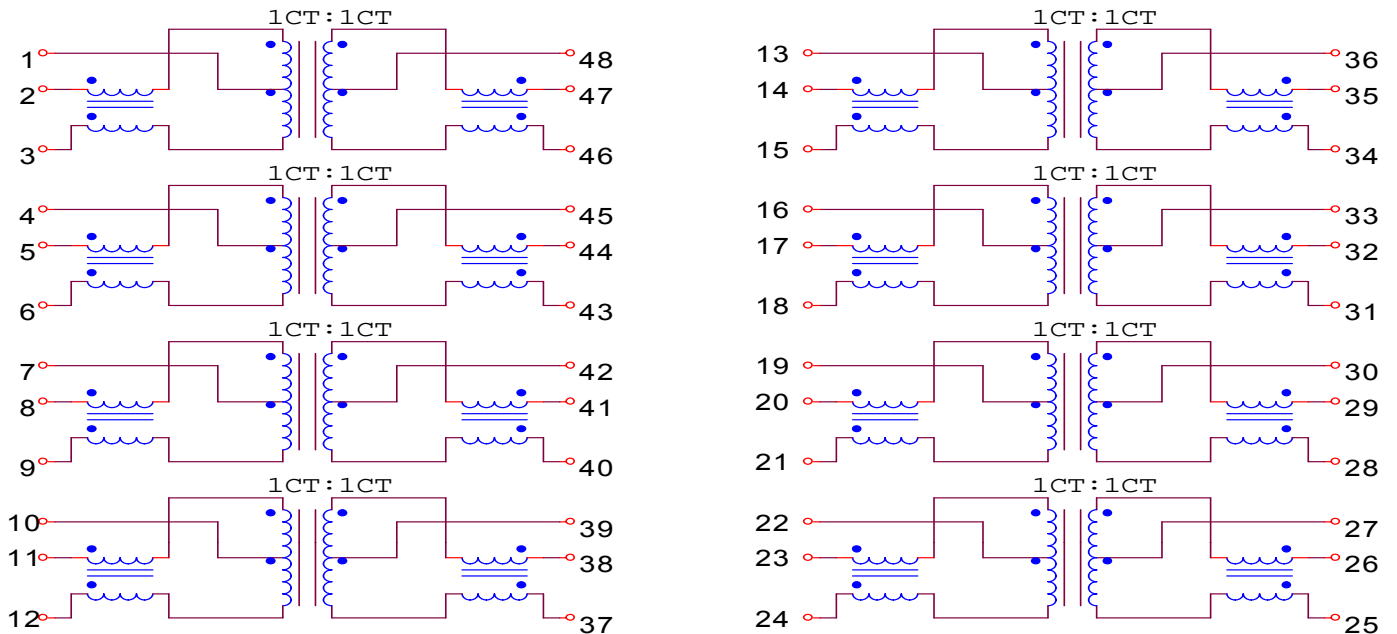
Schematic:HST-48005SR



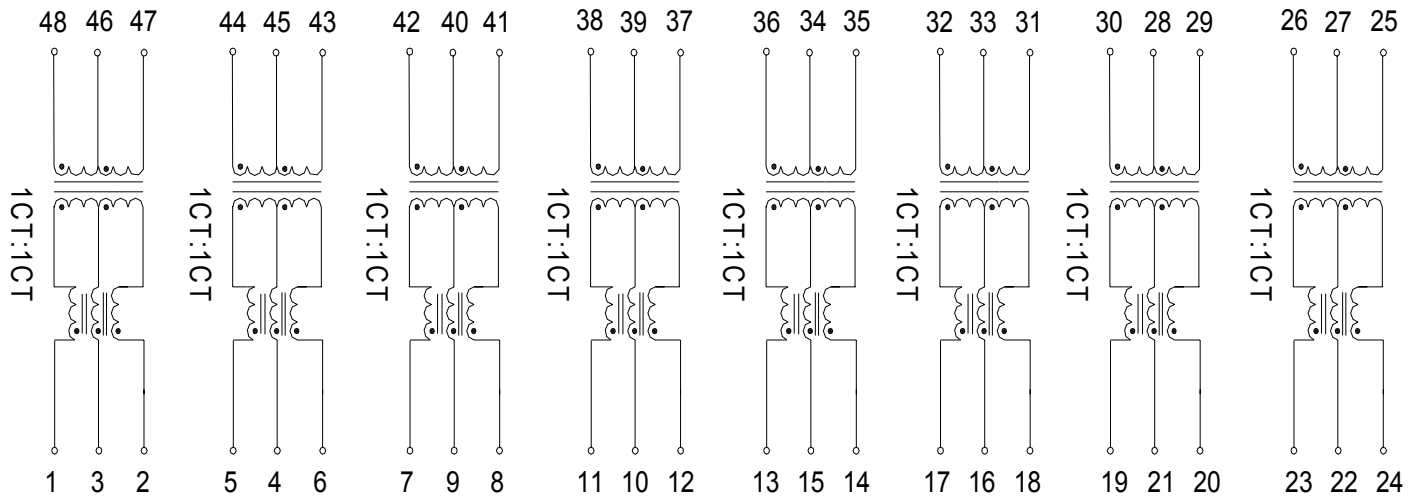
Schematic:HST-48006SR/HST-48029SCR/HST-48029SXCR/HST-48030SCR



Schematic:HST-48027SCR



Schematic:HST-48039SXCR/HST-48039SCR



Schematic:HST-48047SCR

