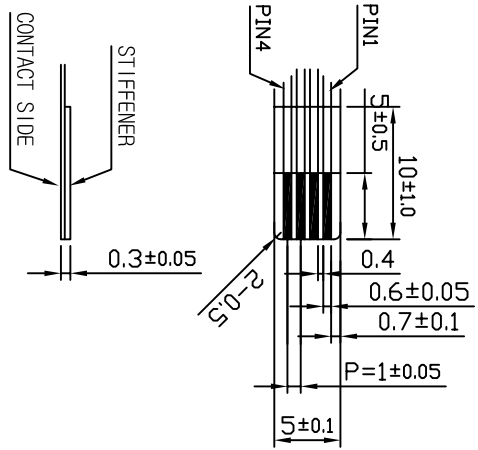
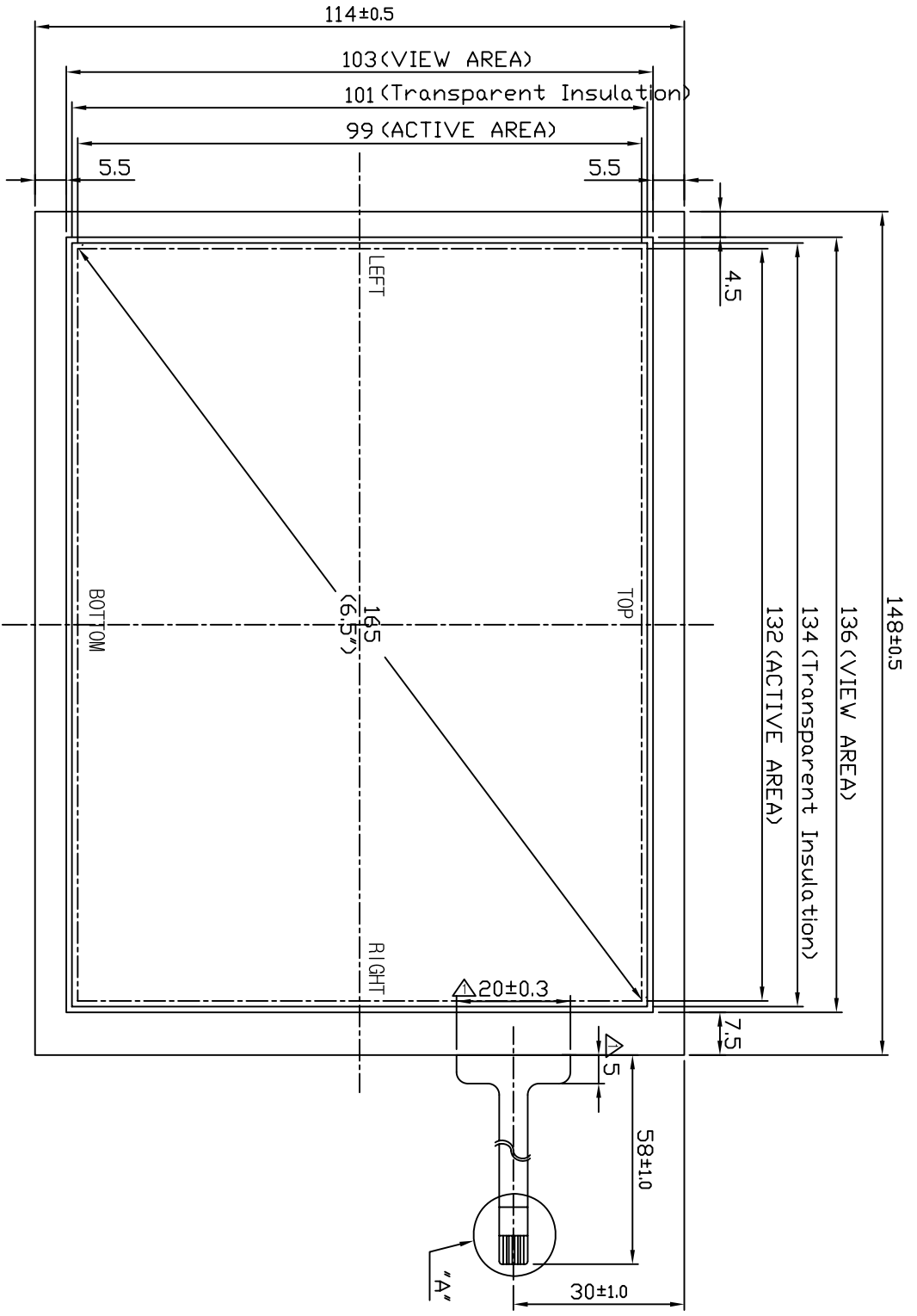


REV. NO.	REVISED	DATE	DRAWN	CHECKED	APPROVED
0	NEW DRAW	01.01.17	W.J.KIM		
1	FPC change	05.08.10	K.B.KIM		

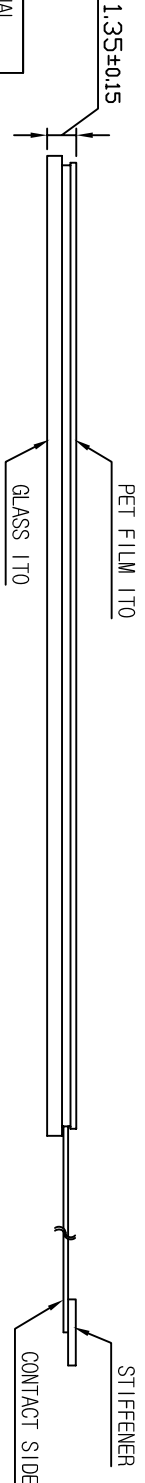


DETAIL "A"

NOTE

- 1) FILM TYPE : Non-glare TYPE
- 2) GLASS THICKNESS : 1.11
- 3) CONNECTOR : FPC

NO	SYMBOL	TERMINAL
1	LEFT	
2	TOP	
3	RIGHT	
4	BOTTOM	



6.5인치 TOUCH PANEL

SCALE : NONE

APPROVE	CHECKE	DESIGN	DRAW	UNIT	PROJECTION	DRAWING NO.	REV.
				mm	1st	HT065A-NDJHC60-R	
				SCALE		DESCRIPTION	
				1:1		6.5" TOUCH PANEL	
							1/1

