

HT4863 产品简介

HT4863 Brief Introduction

中文版 (2-3页)

English Version (Page 4 - 5)

2.2W带立体声耳机输出模式的双声道音频功率放大器

■ 特点

- 实现外围控制 低功率
- 损耗与关断模式
- 立体声耳机放大器模式和热阻保护
- 通过电路设计滴答声抑制
- 输出功率@THD+N=1%
 HT4863MTE: 2.5W@ $V_{DD}=5.0V, R_L=3\Omega$
 HT4863MTE: 2.2W@ $V_{DD}=5.0V, R_L=4\Omega$
 HT4863 : 1.2W@ $V_{DD}=5.0V, R_L=8\Omega$
- 关断电流: 0.1 μA
- 电源电压范围: 2.0V-5.5V
- TSSOP-20/SOP-16/SOP-16(W)/DIP-16封装形式

■ 应用

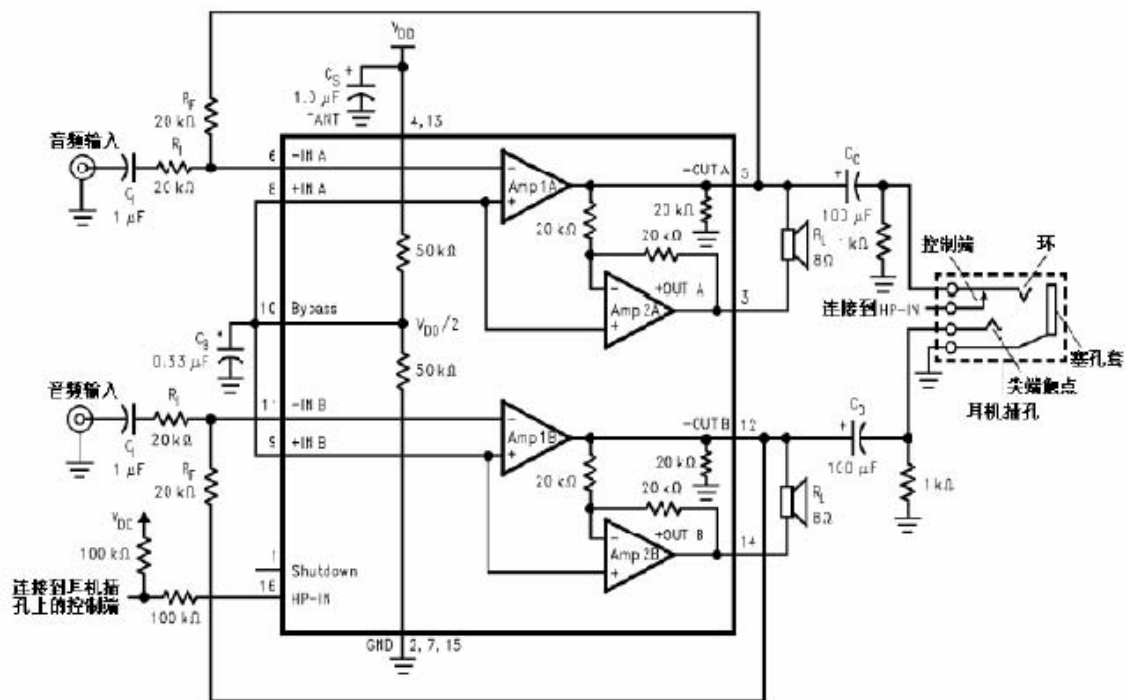
- 多媒体监听器 笔记本
- 电脑、台式电脑
- 便携式音频系统

■ 概述

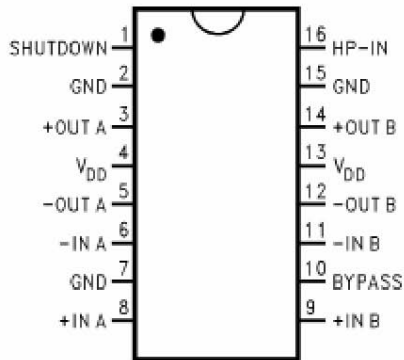
HT4863是一种带立体声耳机输出模式的双声道音频功率放大芯片。工作电压5V，负载为4 Ω 电阻时平均输出功率为2.2W；负载为3 Ω 电阻时平均输出功率为2.5W，且最大失真率低于1.0%。另外，当驱动立体声耳机时，放大器可工作在单端模式。本音频功率放大器只需要很少的外围设备，便可以提供高品质的输出功率，极大简化音频系统设计，HT4863在一块芯片上集合了双通道的桥式扬声器和立体声耳机。

HT4863采用外部控制的低功耗关断模式，立体声耳机放大模式，以及内部热敏关断保护机制，并利用电路的特性减小噪声（滴答声及爆裂声）和失真度。

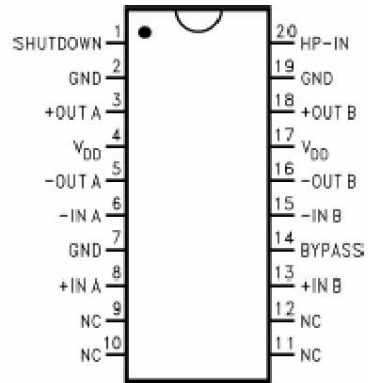
■ 典型应用图



■ 引脚分布图



SOP16, SOP16(W)和DIP16封装



TSSOP20封装

封装说明: HT4863M (SOP16宽体封装), HT4863SP (SOP16窄体封装), HT4863N (DIP封装), HT4863MT (TSSOP20封装), HT4863MTE (TSSOP20带散热片封装)。

嘉兴禾润电子科技有限公司
Jiaxing Heroic Technology Co., Ltd.

地址: 浙江省嘉兴市亚太路 JRC 大厦 A 座三层

电话: 0573-82585539 / 13738294819

传真: 0573-82585078

QQ: 1635038412

E-mail: panming@heroic.com.cn

网址: www.heroic.com.cn

Dual 2.2W Audio Amplifier

Plus Stereo Headphone Function

FEATURES

- Stereo Headphone Amplifier Mode
- "Click and Pop" Suppression Circuitry
- Unity-Gain Stable
- Thermal Shutdown Protection Circuitry
- Exposed TSSOP20, SOP16, SOP16(W) and DIP16 Packages Available
- P_o at 1% THD+N

3Ω (HT4863MTE)	2.5W(typ.)
4Ω (HT4863MTE)	2.2W(typ.)
8Ω (HT4863)	1.2W(typ.)
- Single-Ended Mode at 75mW into 32Ω

THD+N	0.5%(max)
-------	-----------
- Shutdown Current 0.1μA
- Supply Voltage Range 2.0-5.5V

APPLICATIONS

- Multimedia Monitors
- Portable and Desktop Computers
- Portable Televisions

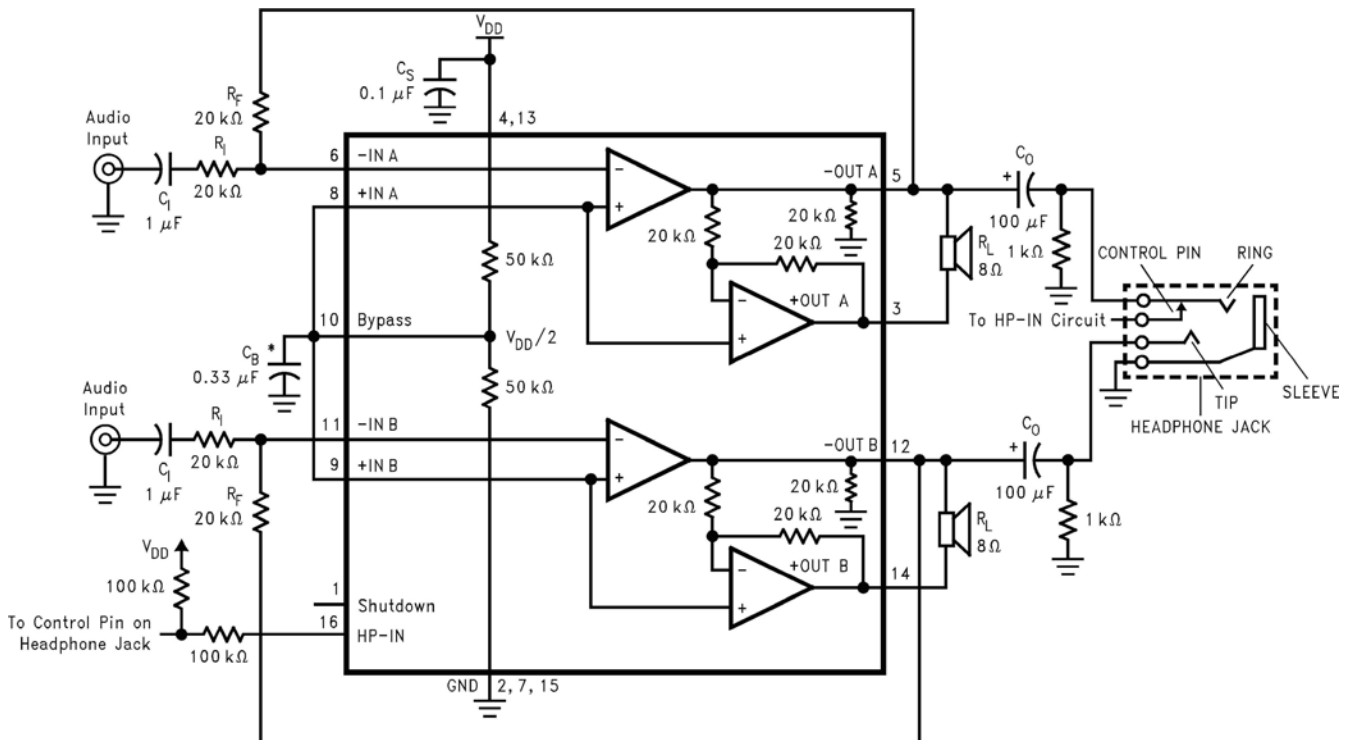
GENERAL DESCRIPTION

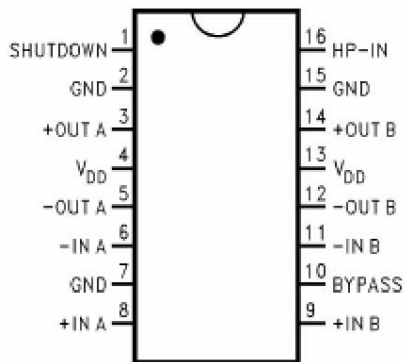
The HT4863 is a dual bridge-connected audio power amplifier which, when connected to a 5V supply, will deliver 2.2W to a 4Ω load or 2.5W to a 3Ω load with less than 1.0% THD+N. In addition, the headphone input pin allows the amplifiers to operate in single-ended mode to drive stereo headphones.

Boomer audio power amplifiers were designed specifically to provide high quality output power from a surface mount package while requiring few external components. To simplify audio system design, the HT4863 combines dual bridge speaker amplifiers and stereo headphone amplifiers on one chip.

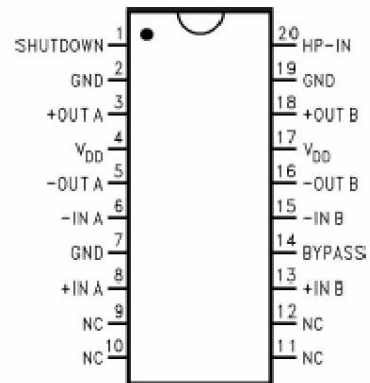
The HT4863 features an externally controlled, low-power consumption shutdown mode, a stereo headphone amplifier mode, and thermal shutdown protection. It also utilizes circuitry to reduce "clicks and pops" during device turn-on.

TYPICAL APPLICATION



■ TERMINAL CONFIGURATION


SOP16, SOP16(W) and DIP16 Top View



TSSOP20 Top View

Jiaxing Heroic Technology Corporation, Limited

Add: A 3rd floor, JRC Building, Yatai Road, Jiaxing, Zhejiang Province
 Tel: 0573-82585539 / 13738294819
 Fax: 0573-82585078
 QQ : 1635038412
 E-mail: panming@heroic.com.cn
 Web: www.heroic.com.cn