

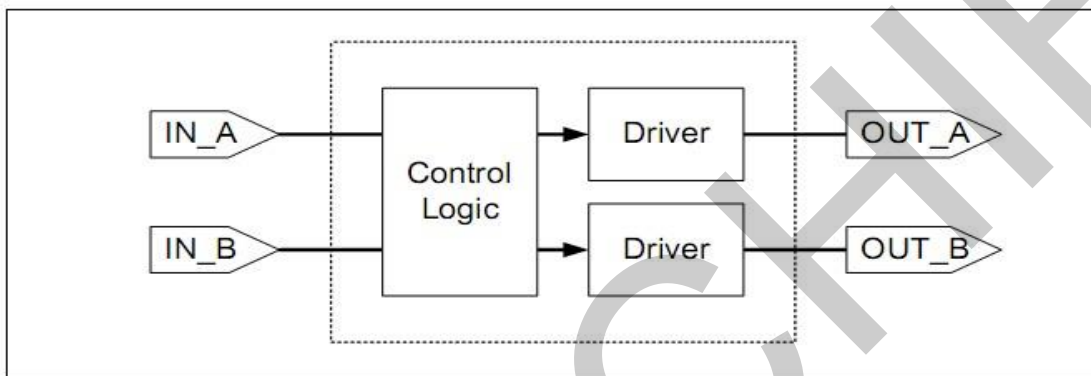
GENERAL DESCRIPTION

The HT5115 is a bi-directional motor driver with Forward/Reverse/stop/ Release function for motor driver application..

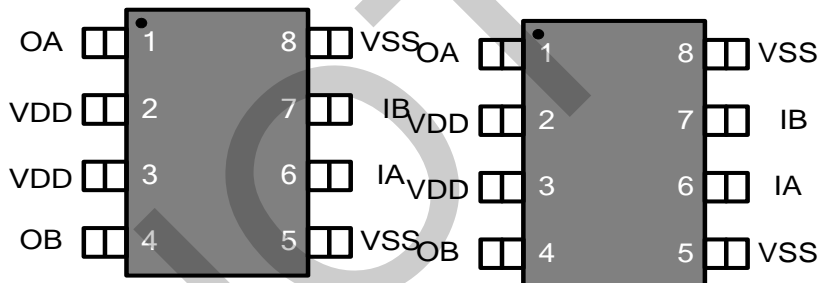
FEATURES

- ◆ Low voltage operation
- ◆ Low current drain at standby mode
- ◆ Provide 4 modes motor driver, Forward/Reverse/Stop/Release
- ◆ Over-current auto protection

BLOCKDIAGRAM



PIN DESCRIPTIONS



Symbol	I/O Type	Pin#	Description
VDD	P	2,3	Power Supply
VSS	G	5,8	Ground Supply
IN_A	I	6	Input Signal A
IN_B	I	7	Input Signal B
OUT_A	O	1	Motor Driver Output A
OUT_B	O	4	Motor Driver Output B

FUNCTIONAL DESCRIPTIONS

IN_A	IN_B	OUT_A	OUT_B	MODE
L	L	Z	Z	Release
H	L	H	L	Forward
L	H	L	H	Reverse
H	H	L	L	Break

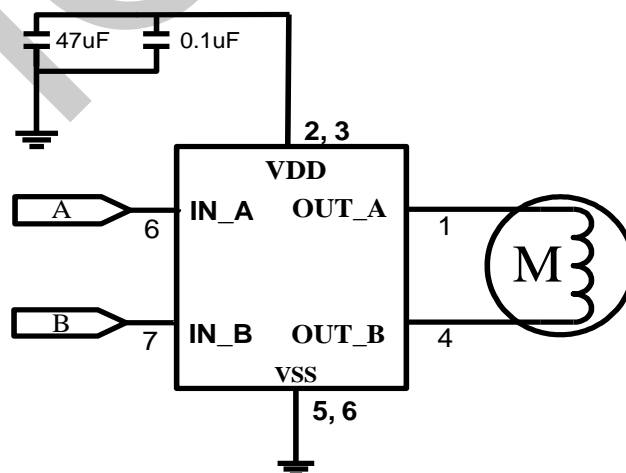
ELECTRICAL CHARACTERISTICS at 25°C

Item	Symbol	Min.	Typ.	Max.	Unit	Condition
Operating Voltage	V _{CC}	1.6	3.0	4.8	V	
Standby Current	L _{DDS}	-	1	20	uA	V _{DD} =3V, IN_A/IN_B = V _{SS}
Operating Current	L _{DDO}	-	150	-	uA	V _{DD} =3V, no load
Input High Voltage	V _{IH}	1.2	-	V _{DD}	V	V _{DD} =3V
Input Low Voltage	V _{IL}	V _{SS}	-	0.8	V	V _{DD} =3V
Output RO_UP	RO_UP		0.28		Ω	V _{DD} =3V
Output RO_DN	RO_DN		0.25		Ω	V _{DD} =3V

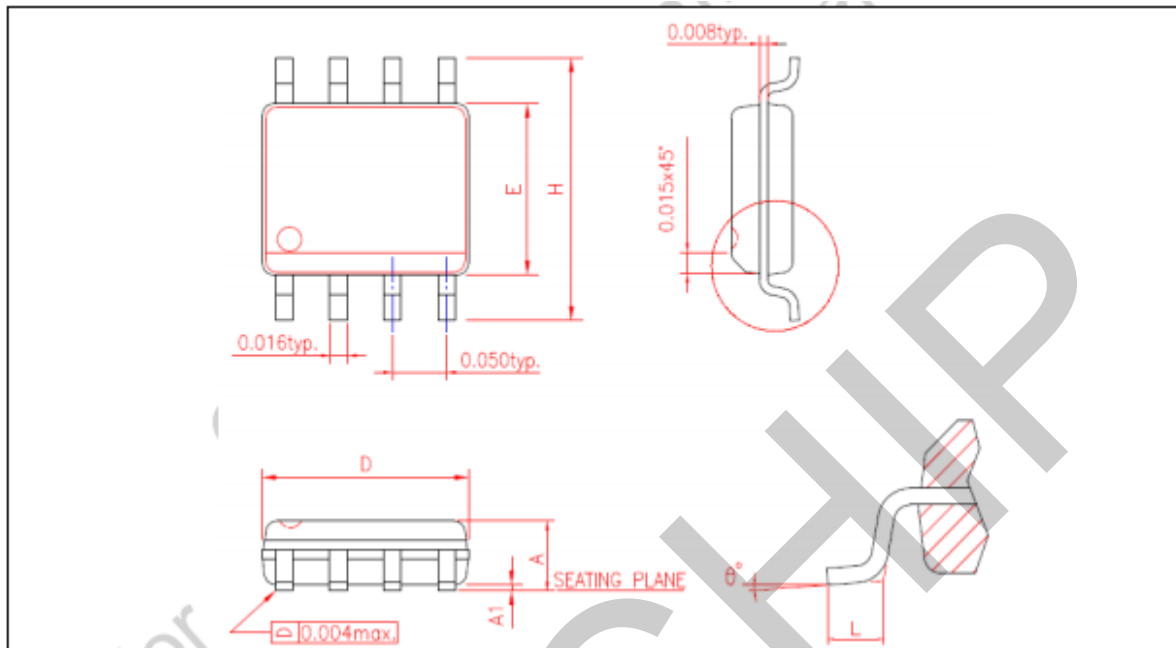
ABSOLUTE MAXIMUM RATINGS

Parameter	Symbol	Min.	Typ.	Max.	Unit	Condition
Supply Voltage	V _{DD}	-	-	6.0	V	
Output Current	L _{OUT}	-	1.5	1.8	A	
Logic Input Voltage Range	V _{IN}	-0.3	-	V _{DD} +0.3	V	
Storage Temperature Range	T _{STG}	-40	-	150	°C	

APPLICATION CIRCUITS



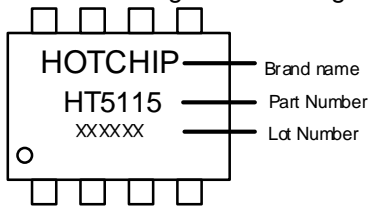
Package Information



Symbol	Dimension in inch	
	Min.	Max.
A	0.053	0.069
A1	0.004	0.010
D	0.189	0.196
E	0.150	0.157
H	0.228	0.244
L	0.016	0.050
θ°	0	8

PACKAGE DESCRIPTION

Device Marking and Ordering Information



Package	Chip surface marking	Purchasing the device name
SOP8 Pb-free	HT5115	HT5115

IMPORTANT NOTICE

- ◆ HOTCHIP reserves the right to alter its products without prior notification. For the most up-to-date information, please visit our web site at <http://www.hotchip.com.cn>.
- ◆ HOTCHIP assumes no liability for the issues about the industrial standard, licenses and the right of the third party caused by the electric circuit and chart. The schematic is just for typical application, is not for the specialized mass production application.
- ◆ The export authorization from government is needed when the product or its derivative product do not agree with the Wassenaar Arrangement or other international agreement.
- ◆ Any copy of these information without our permission to print for other uses is forbidden.
- ◆ HOTCHIP's products are not authorized for use as critical components in life support devices or systems, such as motion machine, medical machine, security system, gas equipment, airplane or any other conveyance.
- ◆ HOTCHIP cannot avoid fault or losing efficacy, though we will do the best to improve the quality and reliability. The customers use the products should go through the security design, such as the redundant design, fire protection design, failure protection about the secondary disasters, fire or other related damage.
- ◆ HOTCHIP will continuously provide better products for the customers by all our heart