

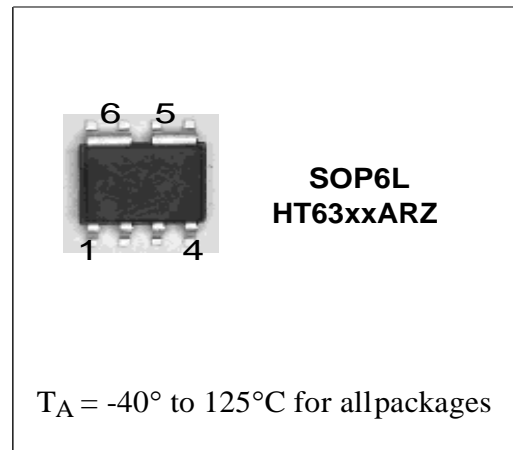
## 60V 3A 150kHz Step-Down Voltage Regulator

### GENERAL DESCRIPTION

The HT63xxA series of regulators are monolithic integrated circuits that provide all the active functions for a step-down (buck) switching regulator, capable of driving a 3A load with excellent line and load regulation. These devices are available in fixed output voltages of 3.3V, 5V, 12V, and an adjustable output version. External shutdown is included, featuring typically 30  $\mu$ A standby current. The output switch includes cycle-by-cycle current limiting, as well as thermal shutdown, and protection from output short for full protection under fault conditions.

### FEATURES

- ◆ 3.3V, 5V, 12V, 18V and adjustable output versions
- ◆ Adjustable version output voltage range, 1.2V to 57V
- ◆  $\pm 4\%$  maximum over line and load conditions
- ◆ Guaranteed 3A output load current
- ◆ Input voltage range up to 60V
- ◆ Requires only 4 external components
- ◆ Excellent line and load regulation specifications
- ◆ 150 kHz fixed frequency internal oscillator
- ◆ Low power standby mode,  $I_{stb}$  typically 30  $\mu$ A
- ◆ High efficiency
- ◆ Thermal shutdown and current limit protection
- ◆ Output short protection by reduction of frequency by 3 times.



### APPLICATIONS

- ◆ Simple high-efficiency step-down (buck) regulator
- ◆ On-card switching regulators
- ◆ Efficient pre-regulator for linear regulators

### ADDITIONAL INFORMATION

#### Pb-free products:

- ◆ RoHS compliant and compatible with the current requirements of IPC/JEDEC J-STD-020.

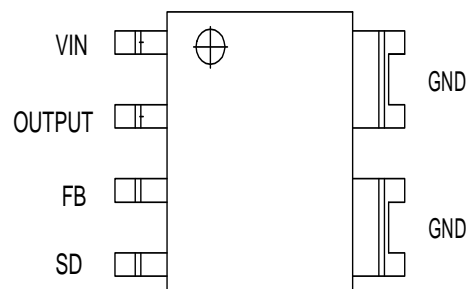
#### Green products:

- ◆ Lead-free (RoHS compliant)
- ◆ Halogen free (Br or Cl does not exceed 900ppm by weight in homogeneous material and total of Br and Cl does not exceed 1500ppm by weight).

### ORDERING INFORMATION

Nominal output voltage	Regulator
3.3V	HT6333A
5 V	HT6305A
12V	HT6312A
18V	HT6318A
ADJ	HT6300A

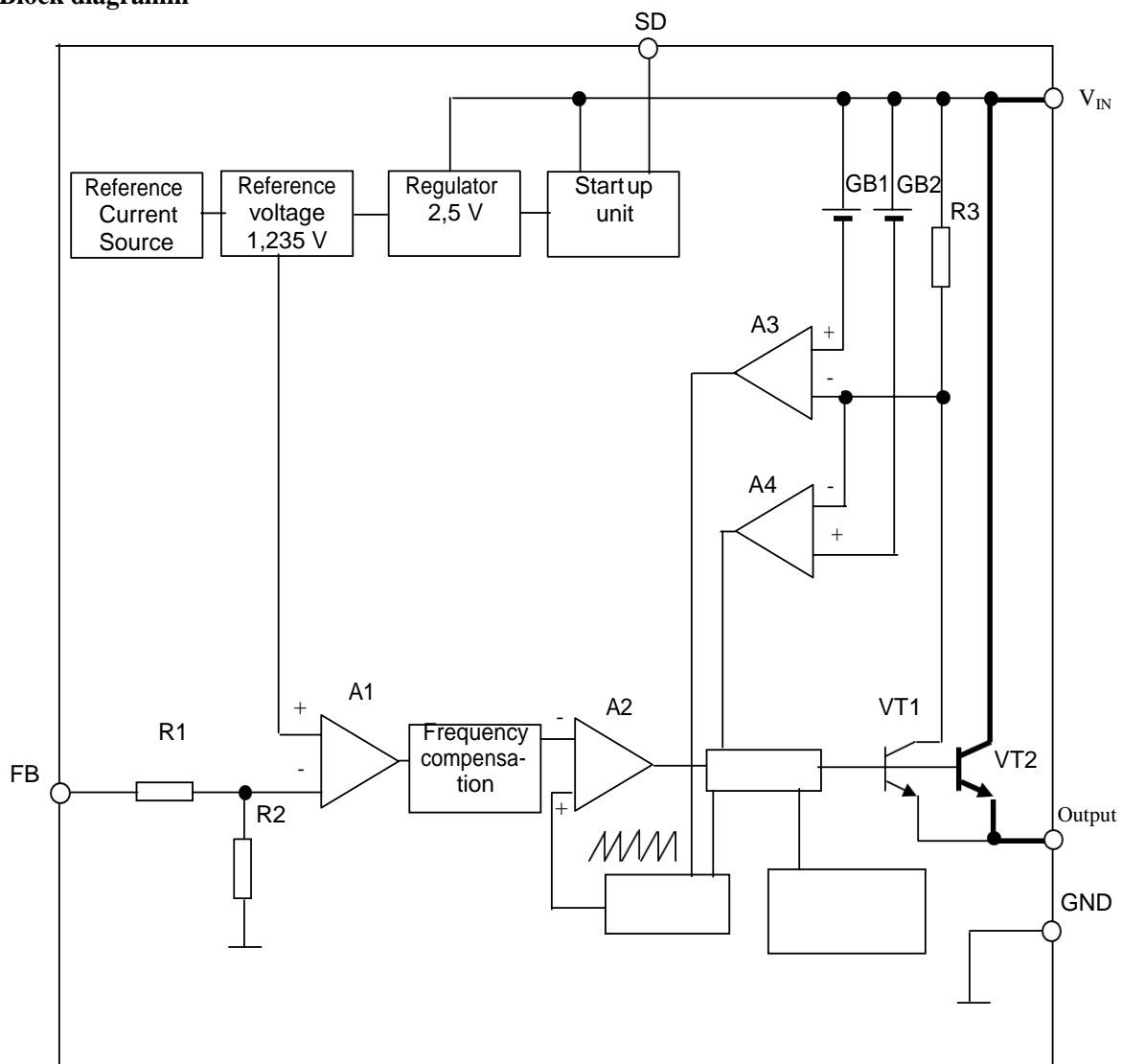
### PIN ASSIGNMENT



### Pin Description Table

Pin number	Symbol	Purpose description
01	$V_{IN}$	Input (operating voltage)
02	Output	Output
03	FB	Feedback control pin
04	SD	Switching on/off pin
05/06	GND	Common pin

### Block diagram



A1 - amplifier;  
 A2 - A4 - comparators;  
 GB1 - battery 200 mV;  
 GB2 - battery 220 mV;  
 R1 - R3 - resistors; VT1,  
 VT2 - transistors

## ABSOLUTE MAXIMUM RATINGS

Parameter	Symbol	Ratings	Unit
Maximum supply voltage	$V_{IN}$	63	V
ON/OFF Pin input voltage	$V_{ON/OFF}$	-0.3 to 60, $\leq V_{in}$	V
FB (Feedback) pin voltage	$V_{FB}$	-0.3 to 25, $\leq V_{in}$	V
Output voltage to GND	$V_{OUT}$	-1	V
Power dissipation	$P_D$	Internally limited	W
Minimum ESD rating HBM (C=100pF, R=1.5k)	ESD	2.0	kV
Maximum junction temperature	$T_{J,max}$	150° C	° C

## RECOMMENDED OPERATING CONDITIONS

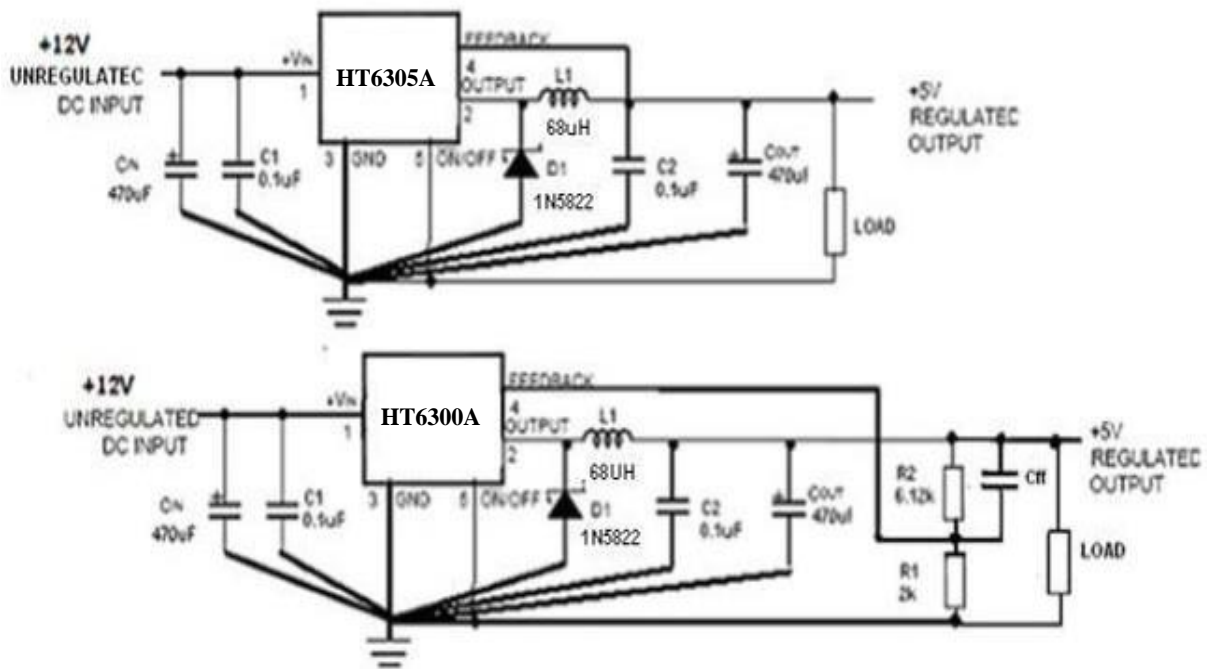
Parameter	Symbol	Ratings	Unit
Temperature range	$T_J$	-40° C $\leq T_j \leq$ +125° C	° C
Supply voltage	$V_{op}$	4.5 to 60	V
$I_{LOAD}$	$I_{LOAD}$	$I_{LOAD} \leq 3.0$	A

## ELECTRICAL CHARACTERISTICS

Unless specified otherwise,  $V_{IN}=12V$  for the 3.3V, 5V and adjustable versions,  $I_{LOAD}=0.5A$ ,  $V_{IN}=18V$  for 12V version. The \* denotes the specifications, which apply over full operating temperature range  $T_J = -40$  to  $+125^\circ C$ .

Parameter	Symbol	Conditions	*	Min	Typ	Max	Unit	
SYSTEM PARAMETERS Test Circuit Figure 1								
Output voltage	HT6333A	$V_{OUT}$	$5.5V \leq V_{IN} \leq 60V, 0.2A \leq I_{LOAD} \leq 3A$		3.185	3.300	3.432	V
				*	3.152		3.465	
	HT6305A	$8V \leq V_{IN} \leq 60V, 0.2A \leq I_{LOAD} \leq 3A$		4.825	5.00	5.20	V	
			*	4.775		5.25		
HT6312A	$15V \leq V_{IN} \leq 60V, 0.2A \leq I_{LOAD} \leq 3A$		11.58	12.00	12.48	V		
		*	11.46		12.60			
HT6300A	$8V \leq V_{IN} \leq 60V, 0.2A \leq I_{LOAD} \leq 3A$		1.193	1.230	1.273	V		
		*	1.180		1.285			
Line Regulation	Line Reg	$8 \leq V_{IN} \leq 60V, I_{LOAD} =$			0.3		%	
Load Regulation	Load Reg	$10mA \leq I_{LOAD} \leq 3A, V_{IN} = 12V$			0.3			
Efficiency	HT6333A	$\eta$	$V_{IN}=12V, I_{LOAD}=3A$		77		%	
	HT6305A			$V_{IN}=12V, I_{LOAD}=3A$		79		
	HT6312A			$V_{IN}=15V, I_{LOAD}=3A$		83		
	HT6300A			$V_{IN}=12V, I_{LOAD}=3A, V_{OUT}=5V$		79		
DEVICE PARAMETERS								
Quiescent current	$I_Q$	$V_{FB}=12V$ force driver off			5	8	mA	
Feedback bias current	$I_{FB}$	$V_{FB}=1.3V$ (Adjustable version only)		-250	-70		nA	
			*	-450				
Shutdown supply current	$I_{STB}$	$V_{ON/OFF}=5V, V_{IN}=60V$			30	220	$\mu A$	
			*			280		
Oscillator frequency	$F_{OSC}$			133	150	168	kHz	
			*	120		180		
Oscillator frequency of Short Circuit Protect	$F_{SCP}$	When $V_{OUT}<40\%$ from nominal, $I_{OUT}= CL$			50		kHz	
Max. duty cycle	$DC_{(Max)}$	$V_{FB}=0V$ force driver on	*	100			%	
Min. duty cycle	$DC_{(Min)}$	$V_{FB}=12V$ force driver off ( $V_{FB}=15V$ for -12V version)	*			0		

Current limit	CL	Peak current. No outside circuit. $V_{FB}=0V$		4.1	5.3	6.7	A
			*	3.8		7.0	
Saturation voltage	$V_{SAT}$	$I_{OUT}=3A$ . No outside circuit. $V_{FB}=0V$			1.35	1.50	V
			*			1.70	
Output leakage current	$I_L$	$V_{OUT}=0V$ . No outside circuit. $V_{FB}=12V$		-300	-50		$\mu A$
Output leakage current	$I_{L1}$	$V_{OUT}=-1V$ . No outside circuit. $V_{FB}=12V$		-30	-3		mA
ON/OFF input threshold	$V_{TH}$		*	0.6	1.3	2.0	V
ON/OFF input current	$I_H$	$V_{ON/OFF}=2.5V$		-5	-0.1	5	$\mu A$
ON/OFF input current	$I_L$	$V_{ON/OFF}=0.5V$		-1	-0.01	1	$\mu A$
Thermal shutdown	$T_{SD}$	$T_J$			160		C

**TEST CIRCUIT AND LAYOUT GUIDELINES**


$V_{out} = V_{ref} * (1 + R2/R1)$ , where  $V_{ref} = 1.23V$ ;  $R1$  between  $1k$  and  $5k$ .

FIGURE 1.

For minimal inductance and ground loops, the wires indicated by **heavy lines should be wide printed circuit traces and kept as short as possible**. Keep the FEEDBACK wiring away from the inductor flux.  $C_{ff} \sim 1$  to  $10nF$  – as option.

## TYPICAL CHARACTERISTICS

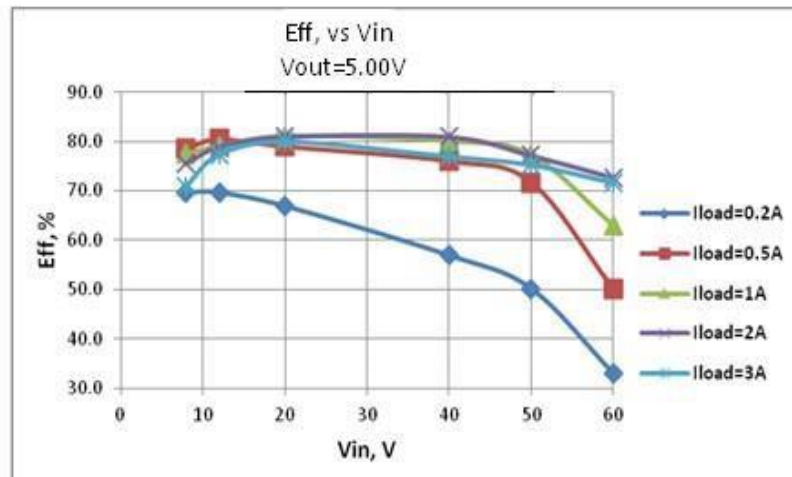


Fig. 1. Eff, vs Vin

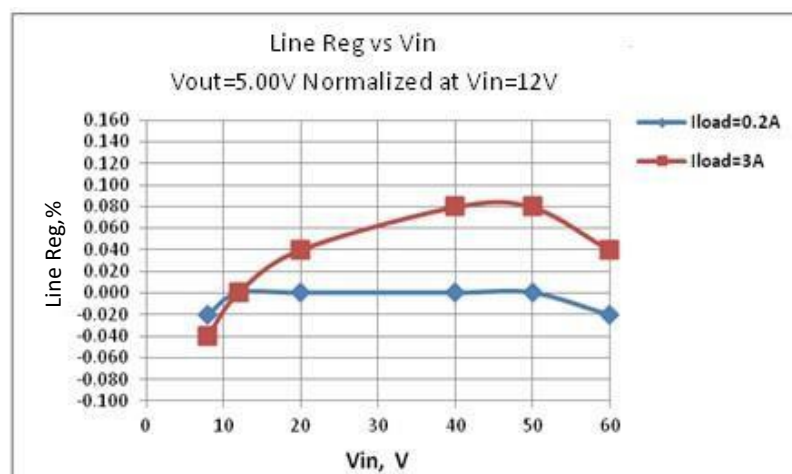


Fig. 2. Line Reg vs Vin

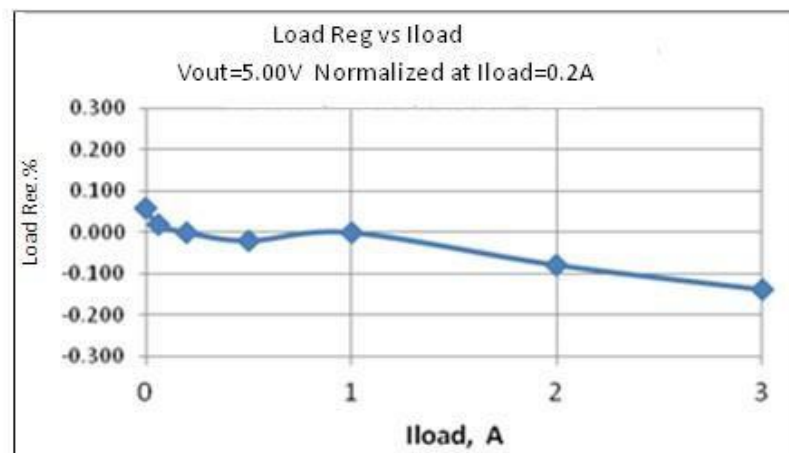


Fig. 3. Load Reg vs Iload

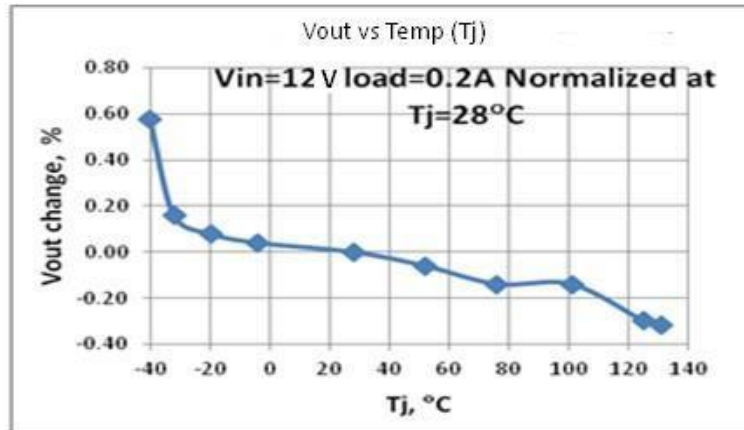


Fig. 4. Vout vs Temp (Tj)

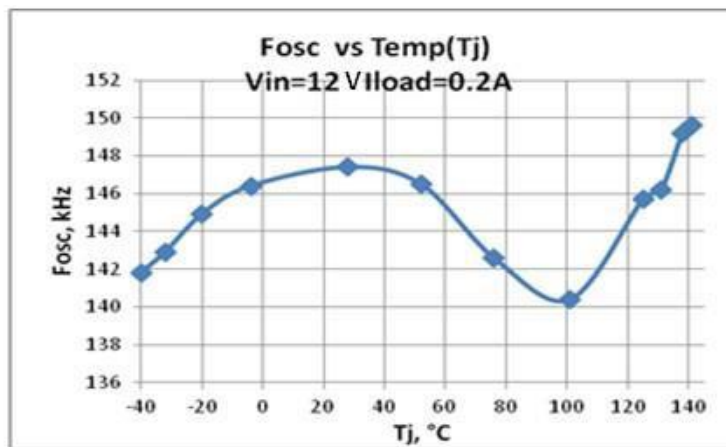


Fig. 5. Fosc vs Temp (Tj)

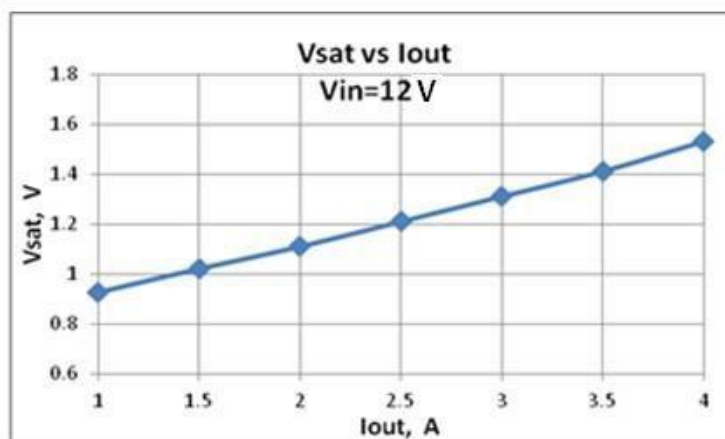


Fig. 6. Vsat vs Iout

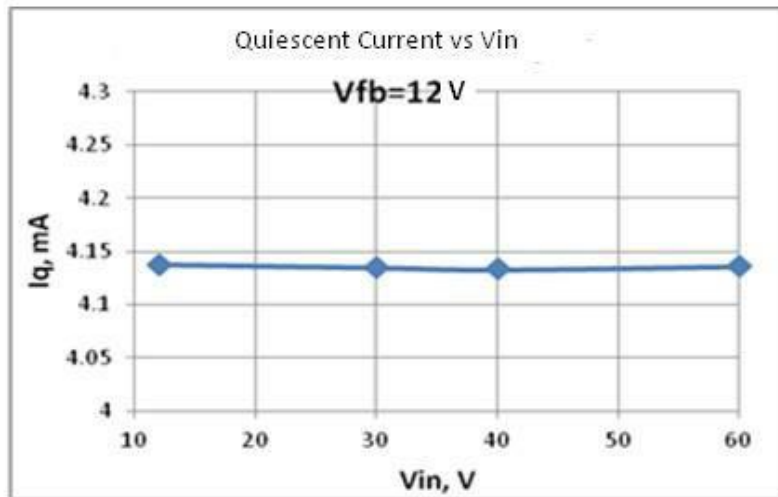


Fig. 7. Quiescent Current vs Vin

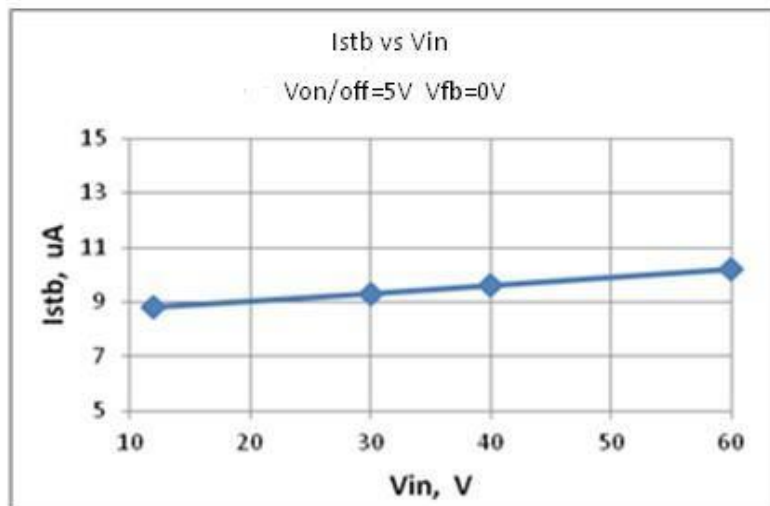


Fig. 8. Istb vs Vin



**SOP6L**

