

Features

- Operating voltage: 1.1V~3.5V
- Constant power supply voltage can be generated by externally adding a transistor: $V_{REG}=1.0V$ typ.
- Alarm function sensitivity: $V_{ALM}=1.1V$ typ.
- Low current consumption: $I_{CCQ}=1.1mA$ typ.
- Built-in 2nd stage mixer for double conversion method
- Mixer operating frequency: 10MHz~50MHz
- Built-in low-pass filter and waveform shaping circuit enable the extraction of FSK signals from voice signals
- Built-in battery-saving function for longer battery life time
- High transmission rate: 1200 bps
- 20-pin TSSOP package (0.65mm Pitch)

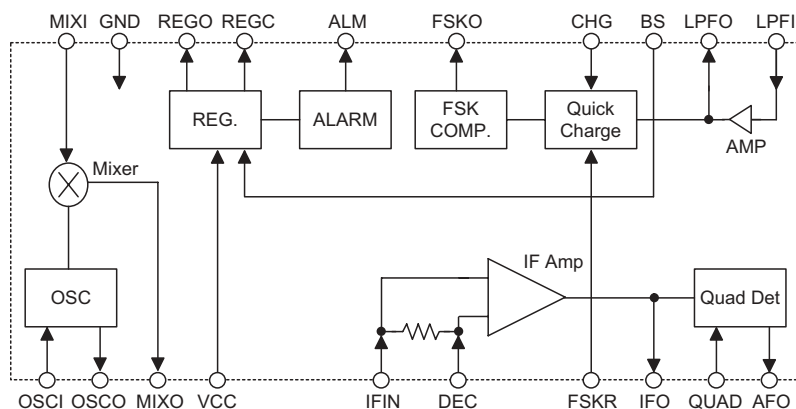
General Description

The HT9142 is designed for FM communication system devices. It combines a paging system, mixer, IF limiter, Quadrature detector, operation amplifier, comparator and more. The HT9142 could provide the customer's

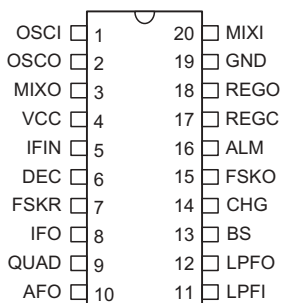
PAGER system with total solution along with Holtek's POCSAG Pager Controller series products.

The HT9142 can also use on Holtek's RF keyboard/mouse applications.

Block Diagram



Pin Assignment



HT9142
-20 TSSOP-A

Pin Description

Pin No.	Pin Name	I/O	Description
1	OSCI	I	These pins are connected to the external parts of an oscillating circuit.
2	OSCO	O	
3	MIXO	O	Mixer output pin. Connect a 455kHz ceramic filter between this pin and the IFIN pin.
4	VCC	—	Positive power supply
5	IFIN	I	Input terminal for IF Amp.
6	DEC	I	Bias Decoupling
7	FSKR	I	Reference input of differential amplifier for waveform shaping. Connect the capacitor externally.
8	IFO	O	IF Amplifier Output pin. Connect the discriminator through the coupling capacitor.
9	QUAD	I	FM demodulator phase shift input pin connected to a quadrature detector phase shifter.
10	AFO	O	FM demodulator output pin
11	LPFI	I	Low Pass Filter Input pin
12	LPFO	O	Low Pass Filter Output pin
13	BS	I	Battery-saving Control pin "H" Normal Operation "L" Battery-saving
14	CHG	I	Control pin for quick charge-discharge circuit. "H" turn on quick charge-discharge "L" turn off quick charge-discharge
15	FSKO	O	FSK NRZ data output
16	ALM	O	Output pin for Low Voltage Alarm At $V_{CC} \cong 1.1V$, this pin becomes "H" ($\cong V_{CC}$) and can indicate deterioration of battery.
17	REGC	O	Control pin of external transistor for regulator of external power supply. Externally connect the PNP transistor
18	REGO	O	Output voltage monitoring pin of regulator for external power supply.
19	GND	—	Negative power supply, ground
20	MIXI	I	MIXER Input terminal

Absolute Maximum Ratings

Power Supply Voltage..... V_{CC} -0.3V to 4.0V	Power Dissipation.....730mW
Operating Temperature range.....0°C to 45°C	Storage Temperature-55°C to 150°C

Note: These are stress ratings only. Stresses exceeding the range specified under "Absolute Maximum Ratings" may cause substantial damage to the device. Functional operation of this device at other conditions beyond those listed in the specification is not implied and prolonged exposure to extreme conditions may affect device reliability.

Electrical Characteristics

 Ta=25°C, Unless otherwise specified, F_{in} (MIX)=21.7MHz, F_{in}(IF)=455kHz, F_{dev}=±4kHz, F_{in}=600Hz

Symbol	Parameter	Test Conditions		Min.	Typ.	Max.	Unit
		V _{DD}	Conditions				
I _{ccq}	Quiescent Current	1.4V	—	—	1.1	1.6	mA
I _{cco}	Supply Current at Battery Saving	1.4V	—	—	0	5	μA
GMV	MIXER Conversion Gain	1.4V	—	9	12.5	16	dB
IP	MIXER 3rd Interception point	1.4V	—	—	-10	—	dBm
R(MIX)in	MIX Input Resistance	1.4V	—	—	5	—	kΩ
R(IF)in	IF Amp Input Resistance	1.4V	—	—	2	—	kΩ
S/N1	Signal to Noise Ration 1	1.4V	MIX IN, V _{IN} (MIX)=60dBμEMF	—	63	—	dB
S/N2	Signal to Noise Ration 2	1.4V	IF IN, V _{IN} (IF)=60dBμEMF	—	63	—	dB
S/N3	Signal to Noise Ration 3	1.4V	IF IN, V _{IN} (IF)=22dBμEMF	—	25	—	dB
V _i (LIM)1	-3dB Limiting Sensitivity 1	1.4V	MIX input	—	14	—	dBμEMF
V _i (LIM)2	-3dB Limiting Sensitivity 2	1.4V	IF input	—	23	27	dBμEMF
V _{OD}	Detected Output Level	1.4V	V _{IN} (IF)=60dBμEMF	30	45	60	mVrms
AMR	AM Rejection Ratio	1.4V	V _{IN} (IF)=60dBμEMF AM=30%	—	50	—	dB
DR	FSK OUT Duty Ratio	1.4V	V _{IN} (IF)=60dBμEMF	40	50	60	%
V _{ALM}	Alarm Detected Voltage	1.4V	—	1.05	1.1	1.15	V
V _{ALML}	"L" Level Output Voltage (ALM)	1.4V	I=100μA	—	—	0.4	V
I _{ALM}	"H" Level Output Current (ALM)	1.4V	—	—	—	2	μA
V _{FSKL}	"L" Level Output Voltage (FSK)	1.4V	I=100μA	—	—	0.4	V
I _{FSK}	"H" Level Output Current (FSK)	1.4V	—	—	—	2	μA
V _{REC}	Constant Voltage Output	1.4V	—	0.95	1.0	1.05	V

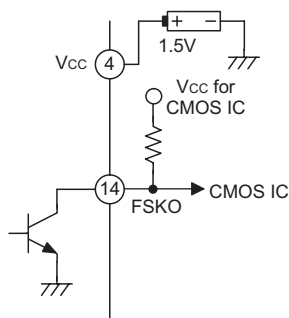
Functional Description

Battery-saving function

The battery-saving function is controlled by the pin "BS" and the battery consumption is minimized by reducing the current consumption. If the pin is logic LOW, the HT9142 enters the battery-saving mode, otherwise HT9142 is in normal operation state.

FSK NRZ output

The HT9142 has two built-in operation amplifiers. One of these operation amplifiers is connected inside the IC to the NRZ comparator. The NRZ comparator can output the input signal waveform as a square wave. The NRZ comparator output is an open collector. If the IC interfaces with CMOS devices, the possible connection is shown below.



Quick charge-discharge circuit

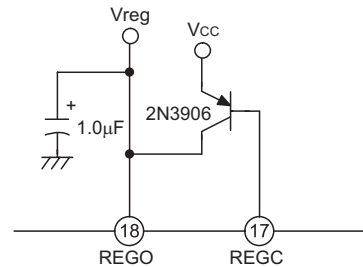
If an FSK signal inputs during the brief transition from battery-saving state to normal operation state, the time that the pin "FSKR" arrives at the reference voltage is delayed by a time constant determined by the capacitor connected to the pin "FSKR" and the internal resistor. Sometimes, the output signal becomes erroneous due to some error in the comparator input voltage. Such a case could be avoided by quickly charging or discharging the capacitor connected to the pin "FSKR". By using the quick charge-discharge circuit, the delay time for the "FSKR" pin to be of the same level with the "LPFO" pin could be minimized, hence, erroneous FSK NRZ output signal is prevented.

Battery low alarm function

In case the HT9142 is battery powered, when the power supply voltage goes low to about 1.1V, the output of the pin "ALM" rises up to about 1.1V and the battery voltage can be monitored by other devices. The output is an open collector similar to FSK NRZ output.

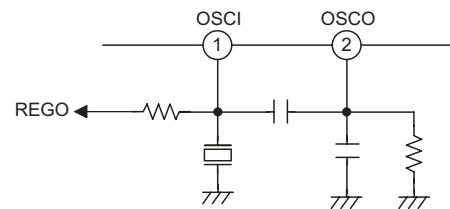
Constant voltage regulator for external part power supply

Externally connecting the transistor as shown in the figure below, the output "REGO" could be used constantly as 1.0V regulator output. At the battery-saving mode, the regulator is turned OFF.



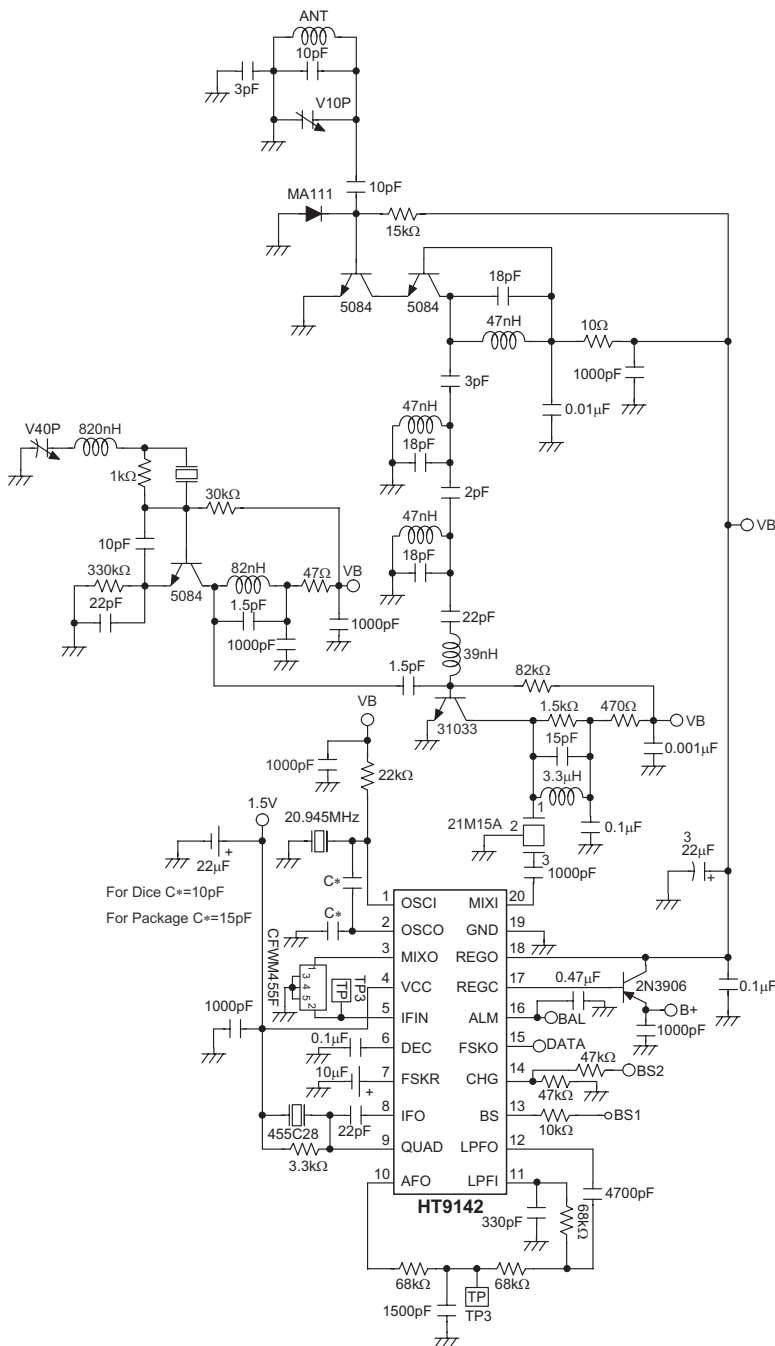
Local oscillator circuit

The HT9142 local oscillator circuit is of Colpitts type oscillator composed of internal emitter follower circuit and an external X'tal. The transistor is connected externally as shown in the figure below. Resistor "R" may be needed to increase the current of the local oscillator circuit in order to compose the overtone oscillator and improve its stability. It is recommended that the resistor be connected between OSC1 and REGO to provide battery-saving mode.

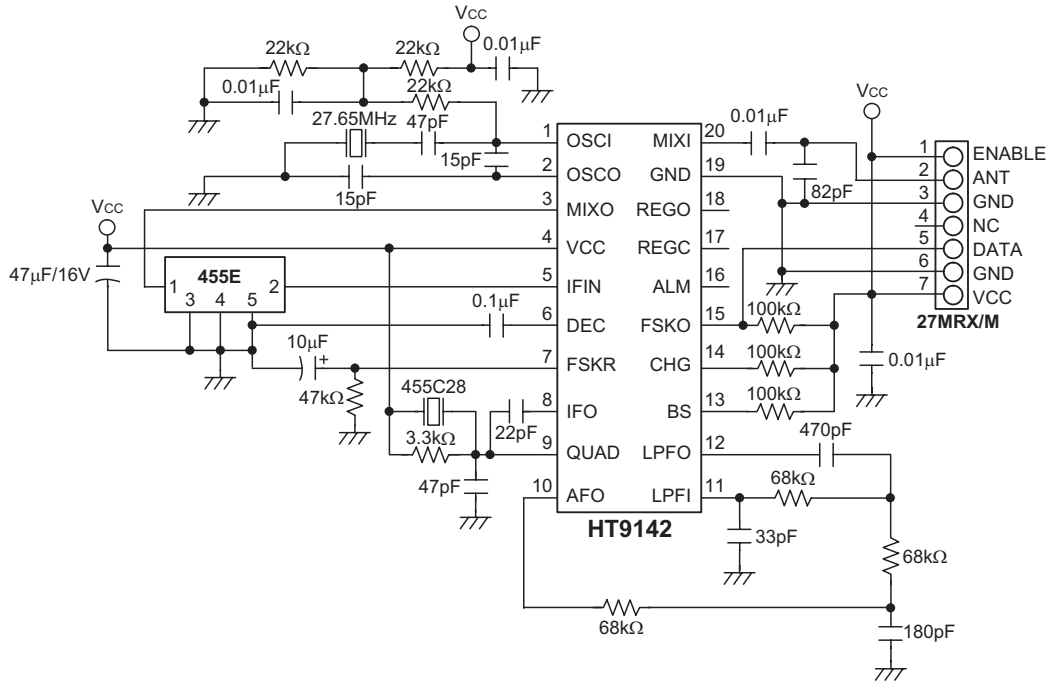


Application Circuits

Pager RF board (151.35MHz)



RF mouse receiver



Holtek Semiconductor Inc. (Headquarters)

No.3, Creation Rd. II, Science-based Industrial Park, Hsinchu, Taiwan
Tel: 886-3-563-1999
Fax: 886-3-563-1189
<http://www.holtek.com.tw>

Holtek Semiconductor Inc. (Sales Office)

11F, No.576, Sec.7 Chung Hsiao E. Rd., Taipei, Taiwan
Tel: 886-2-2782-9635
Fax: 886-2-2782-9636
Fax: 886-2-2782-7128 (International sales hotline)

Holtek Semiconductor (Hong Kong) Ltd.

RM.711, Tower 2, Cheung Sha Wan Plaza, 833 Cheung Sha Wan Rd., Kowloon, Hong Kong
Tel: 852-2-745-8288
Fax: 852-2-742-8657

Holtek Semiconductor (Shanghai) Inc.

7th Floor, Building 2, No.889, Yi Shan Rd., Shanghai, China
Tel: 021-6485-5560
Fax: 021-6485-0313
<http://www.holtek.com.cn>

Holmate Semiconductor, Inc.

48531 Warm Springs Boulevard, Suite 413, Fremont, CA 94539
Tel: 510-252-9880
Fax: 510-252-9885
<http://www.holmate.com>

Copyright © 2002 by HOLTEK SEMICONDUCTOR INC.

The information appearing in this Data Sheet is believed to be accurate at the time of publication. However, Holtek assumes no responsibility arising from the use of the specifications described. The applications mentioned herein are used solely for the purpose of illustration and Holtek makes no warranty or representation that such applications will be suitable without further modification, nor recommends the use of its products for application that may present a risk to human life due to malfunction or otherwise. Holtek reserves the right to alter its products without prior notification. For the most up-to-date information, please visit our web site at <http://www.holtek.com.tw>.