

32-Channel Serial to Parallel Converter With Open Drain Outputs

Features

- ▶ Processed with HVCMOS® technology
- ▶ Output voltages to 225V using a ramped supply voltage
- ▶ SINK current minimum 100mA
- ▶ Shift register speed 8.0MHz
- ▶ Strobe and enable inputs
- ▶ CMOS compatible inputs
- ▶ Forward and reverse shifting options
- ▶ Hi-Rel processing available

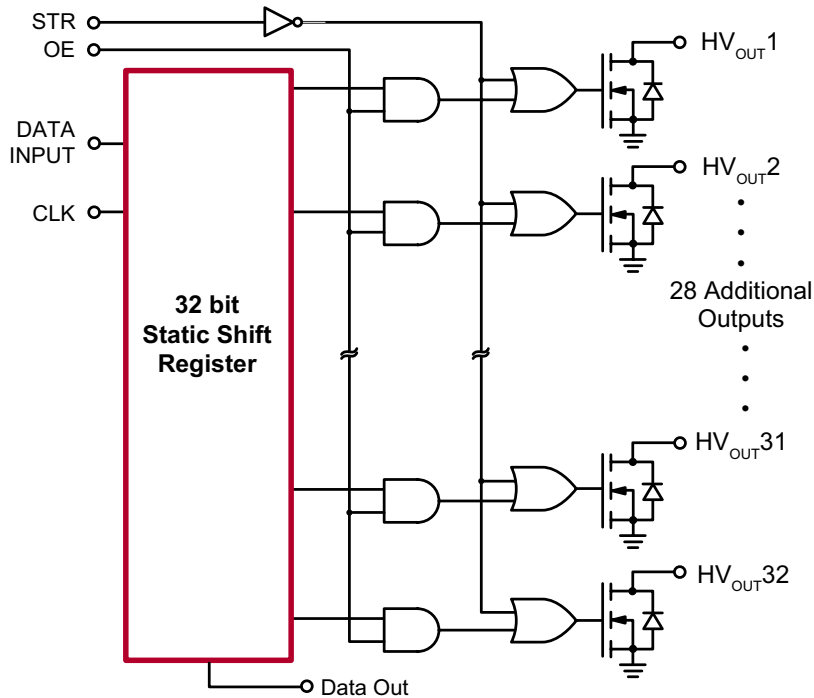
General Description

The HV5122 is a low voltage serial to high voltage parallel converter with open drain outputs. This device has been designed for use as a driver for AC electroluminescent displays. They can also be used in any application requiring multiple output high voltage current sinking capabilities such as driving inkjet and electrostatic print heads, plasma panels, vacuum fluorescent, or large matrix LCD displays.

This device consists of a 32-bit shift register and control logic to perform the Output Enable and all-on functions. Data is shifted through the shift register on the high to low transition of the clock. The HV5122 shifts in the counter-clockwise direction when viewed from the top of the package. A data output buffer is provided for cascading devices. This output reflects the current status of the last bit of the shift register. Operation of the shift register is not affected by the OE(Output Enable) or the STR(Strobe) inputs.

The HV5122 has been designed to be used in systems which either switch off the high voltage supply before changing the state of the high voltage outputs or which limit the current through each output.

Functional Block Diagram



Ordering Information

| Device | Package Options | | |
|--------|---|--|--|
| | 44-Lead Quad Cerpac Chip Carrier .650x.650in body .190in height (max) .050in pitch | 44-Lead Quad Plastic Gullwing 10.00x10.00mm body 2.35mm height (max) 0.80mm pitch | 44-Lead Quad Plastic Chip Carrier .653x.653in body .180in height (max) .050in pitch |
| HV5122 | HV5122DJ* | HV5122PG-G | HV5122PJ-G |



-G indicates package is RoHS compliant ("Green")
* Hi-Rel processing available

Absolute Maximum Ratings

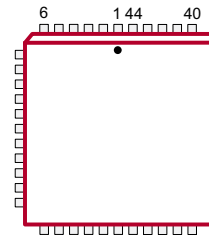
| Parameter | Value |
|---|--------------------------|
| Supply voltage, V_{DD} | -0.5V to +15V |
| Supply voltage, V_{PP} | -0.5V to +250V |
| Logic input levels | -0.5V to $V_{DD} + 0.5V$ |
| Ground current ¹ | 1.5A |
| Continuous total power dissipation ² | |
| Plastic | 1200W |
| Ceramic | 1500W |
| Operating temperature range | |
| Plastic | -40°C to +85°C |
| Ceramic | -55°C to +125°C |
| Storage temperature range | -65°C to +150°C |

Absolute Maximum Ratings are those values beyond which damage to the device may occur. Functional operation under these conditions is not implied. Continuous operation of the device at the absolute rating level may affect device reliability. All voltages are referenced to device ground.

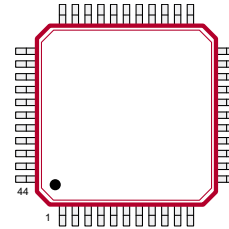
Notes:

- Duty cycle is limited by the total power dissipated in the package.
- For operation above 25°C ambient derate linearly to maximum operating temperature at 20mW/°C for plastic and at 15mW/°C for ceramic.

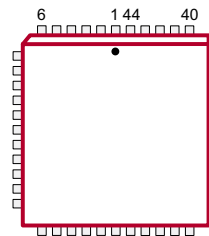
Pin Configurations



44-Lead Quad Cerpac Chip Carrier (DJ)



44-Lead Quad Plastic Gullwing (PG)



44-Lead Quad Plastic Chip Carrier (PJ)

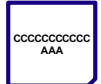
Product Marking

Top Marking



YY = Year Sealed
WW = Week Sealed
L = Lot Number

Bottom Marking



C = Country of Origin*
A = Assembler ID*
*May be part of top marking

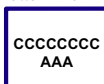
44-Lead Quad Plastic Chip Carrier (DJ)

Top Marking



YY = Year Sealed
WW = Week Sealed
L = Lot Number
C = Country of Origin*
A = Assembler ID*

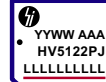
Bottom Marking



— = "Green" Packaging
*May be part of top marking

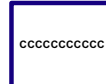
44-Lead Quad Plastic Gullwing (PG)

Top Marking



YY = Year Sealed
WW = Week Sealed
L = Lot Number
A = Assembler ID

Bottom Marking



C = Country of Origin*
— = "Green" Packaging
*May be part of top marking

44-Lead Quad Plastic Chip Carrier (PJ)

Packages may or may not include the following marks: Si or

Recommended Operating Conditions

| Sym | Parameter | Min | Typ | Max | Units | |
|------------|--------------------------------|----------------|-----|----------|-------|----|
| V_{DD} | Logic voltage supply | 10.8 | 12 | 13.2 | V | |
| HV_{OUT} | High voltage output | -0.3 | - | 225 | V | |
| V_{IH} | High-level input voltage | $V_{DD} - 2.0$ | - | V_{DD} | V | |
| V_{IL} | Low-level input voltage | 0 | - | 2.0 | V | |
| f_{CLK} | Clock frequency | - | - | 8.0 | MHz | |
| T_A | Operating free-air temperature | Plastic | -40 | - | +85 | °C |
| | | Ceramic | -55 | - | +125 | |

Power-Up Sequence

Power-up sequence should be the following:

1. Connect ground
2. Apply V_{DD}
3. Set all inputs to a known state

Power-down sequence should be the reverse of the above.

Electrical Characteristics (Over recommended operating conditions unless otherwise specified)

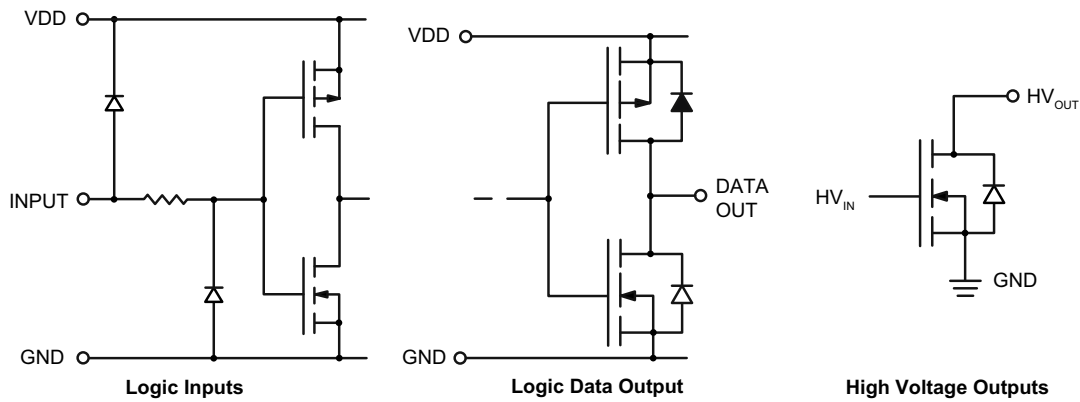
DC Characteristics

| Sym | Parameter | Min | Max | Units | Conditions | |
|--------------|-----------------------------------|------------------------|------|---------------|--|------------------------------|
| I_{DD} | V_{DD} supply current | - | 15 | mA | $f_{CLK} = 8.0\text{MHz}$, $F_{DATA} = 4.0\text{MHz}$ | |
| I_{DDQ} | Quiescent V_{DD} supply current | - | 100 | μA | All $V_{IN} = 0\text{V}$ | |
| $I_{O(OFF)}$ | Off-state output current | - | 10 | μA | All outputs high, all SWS parallel | |
| I_{IH} | High level logic input current | - | 1.0 | μA | $V_{IH} = 12\text{V}$ | |
| I_{IL} | Low level logic input current | - | -1.0 | μA | $V_{IL} = 0$ | |
| V_{OH} | High level output data out | $V_{DD} - 1.0\text{V}$ | - | V | $I_{DOUT} = -100\mu\text{A}$ | |
| V_{OL} | Low level output voltage | HV_{OUT} | - | 15 | V | $I_{HVOUT} = +100\text{mA}$ |
| | | Data out | - | 1.0 | | $I_{DOUT} = +100\mu\text{A}$ |
| V_{OC} | HV_{OUT} clamp voltage | - | -1.5 | V | $I_{OL} = -100\text{mA}$ | |

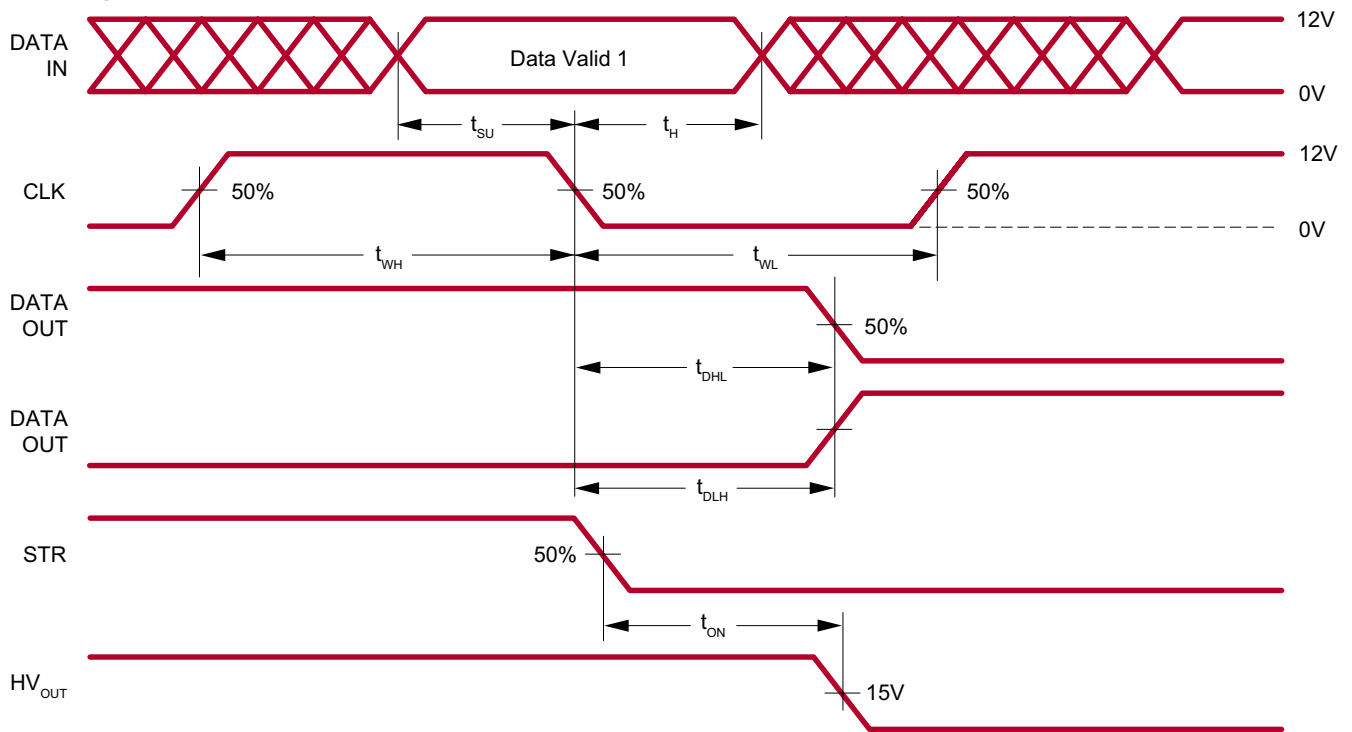
AC Characteristics ($V_{DD} = 12\text{V}$, $T_A = 25^\circ\text{C}$)

| Sym | Parameter | Min | Max | Units | Conditions |
|-----------|--------------------------------------|-----|-----|-------|-----------------------------------|
| f_{CLK} | Clock frequency | - | 8.0 | MHz | --- |
| t_W | Clock width, high or low | 62 | - | ns | --- |
| t_{SU} | Data setup time before CLK falls | 25 | - | ns | --- |
| t_H | Data hold time after CLK falls | 10 | - | ns | --- |
| t_{ON} | Turn-on time, HV_{OUT} from strobe | - | 500 | ns | $R_L = 2.0\text{K}\Omega$ to 200V |
| t_{DHL} | Data output delay after H to L CLK | - | 100 | ns | $C_L = 15\text{pF}$ |
| t_{DLH} | Data output delay after L to H CLK | - | 100 | ns | $C_L = 15\text{pF}$ |

Input and Output Equivalent Circuits



Switching Waveforms



Function Table

| Function | Inputs | | | | Outputs | | | | |
|---------------|---------|--------|----|-----|-----------|--------|------------|-----------|----------|
| | Data In | CLK | OE | STR | Shift Reg | | HV Outputs | | Data Out |
| | | | | | 1 | 2...32 | 1 | 2...32 | |
| All on | X | X | X | L | • | •...• | ON | ON...ON | • |
| All off | X | X | L | H | • | •...• | OFF | OFF...OFF | • |
| Load S/R | H OR L | ↓ | L | H | H or L | •...• | OFF | OFF...OFF | - |
| Output Enable | X | H OR L | H | H | H or L | •...• | ON or OFF | •...• | • |

Notes:

- H = high level, L = low level, X = irrelevant, ↓ = high-to-low transition
- = dependent on previous stage's state before the last CLK: High-to-low transition

44-Lead PQFP Pin Assignment (PG)

| HV5122PG | | |
|----------|----------------------|---|
| Pin | Function | Description |
| 1 | HV _{OUT} 11 | High voltage outputs. |
| 2 | HV _{OUT} 12 | |
| 3 | HV _{OUT} 13 | |
| 4 | HV _{OUT} 14 | |
| 5 | HV _{OUT} 15 | |
| 6 | HV _{OUT} 16 | |
| 7 | HV _{OUT} 17 | |
| 8 | HV _{OUT} 18 | |
| 9 | HV _{OUT} 19 | |
| 10 | HV _{OUT} 20 | |
| 11 | HV _{OUT} 21 | |
| 12 | HV _{OUT} 22 | |
| 13 | HV _{OUT} 23 | |
| 14 | HV _{OUT} 24 | |
| 15 | HV _{OUT} 25 | |
| 16 | HV _{OUT} 26 | |
| 17 | HV _{OUT} 27 | |
| 18 | HV _{OUT} 28 | |
| 19 | HV _{OUT} 29 | |
| 20 | HV _{OUT} 30 | |
| 21 | HV _{OUT} 31 | |
| 22 | HV _{OUT} 32 | |
| 23 | DATA OUT | Data output for cascading to the data input of the next device. |
| 24 | N/C | No connect. |
| 25 | | |
| 26 | | |
| 27 | | |
| 28 | OE | Output enable input. When OE is LOW, all HV outputs are forced into a LOW state, regardless of data in each channel. When OE is HIGH, all HV outputs reflect data latched. |
| 29 | CLK | Data shift register clock. Input are shifted into the shift register on the positive edge of the clock. |
| 30 | GND | Logic and high voltage ground. |
| 31 | VDD | Low voltage logic power rail. |
| 32 | STR | Strobe. |

44-Lead PQFP Pin Assignment (PG) (cont.)

| HV5122PG | | |
|----------|----------------------|---|
| Pin | Function | Description |
| 33 | DATA IN | Serial data input. Data needs to be present before each rising edge of the clock. |
| 34 | N/C | No connect. |
| 35 | HV _{OUT} 1 | High voltage outputs. |
| 36 | HV _{OUT} 2 | |
| 37 | HV _{OUT} 3 | |
| 38 | HV _{OUT} 4 | |
| 39 | HV _{OUT} 5 | |
| 40 | HV _{OUT} 6 | |
| 41 | HV _{OUT} 7 | |
| 42 | HV _{OUT} 8 | |
| 43 | HV _{OUT} 9 | |
| 44 | HV _{OUT} 10 | |

44-Lead PLCC Pin Assignment (DJ/PJ)

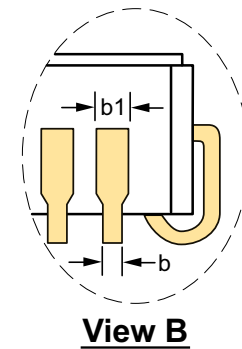
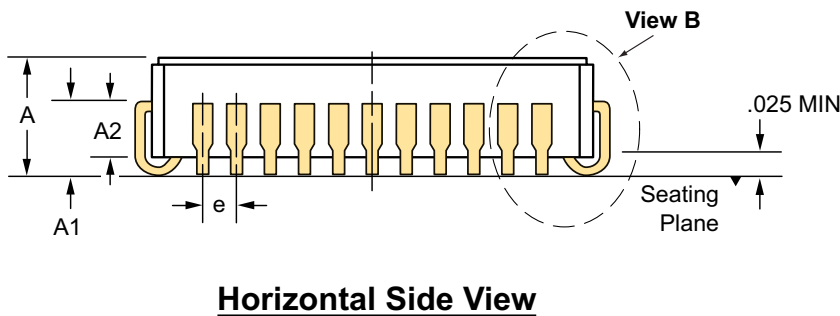
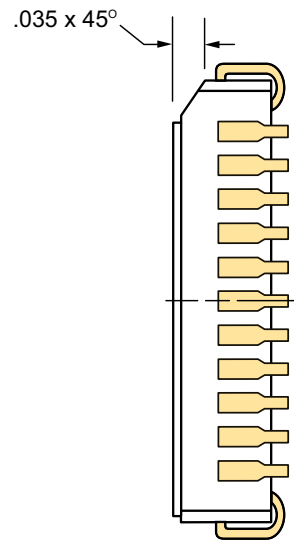
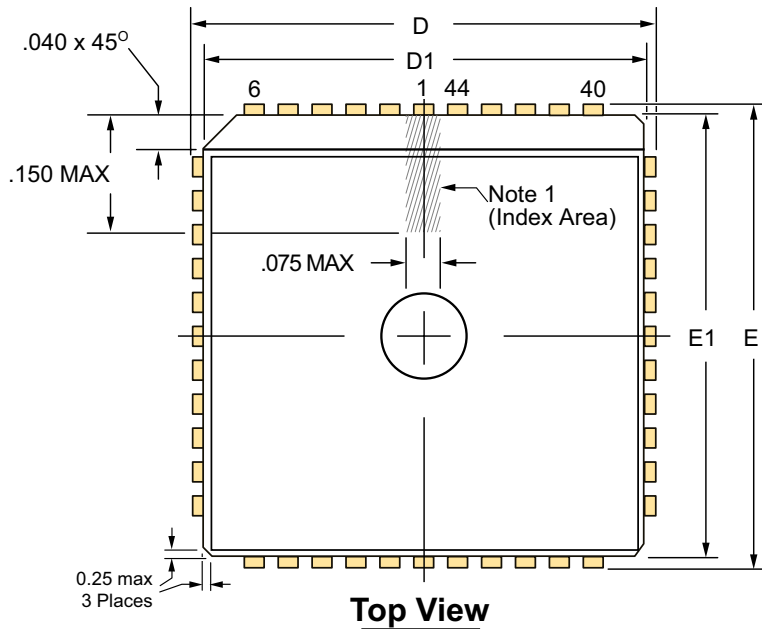
| HV5122PJ | | |
|----------|----------------------|----------------------|
| Pin | Function | Function |
| 1 | HV _{OUT} 16 | High voltage outputs |
| 2 | HV _{OUT} 17 | |
| 3 | HV _{OUT} 18 | |
| 4 | HV _{OUT} 19 | |
| 5 | HV _{OUT} 20 | |
| 6 | HV _{OUT} 21 | |
| 7 | HV _{OUT} 22 | |
| 8 | HV _{OUT} 23 | |
| 9 | HV _{OUT} 24 | |
| 10 | HV _{OUT} 25 | |
| 11 | HV _{OUT} 26 | |
| 12 | HV _{OUT} 27 | |
| 13 | HV _{OUT} 28 | |
| 14 | HV _{OUT} 29 | |
| 15 | HV _{OUT} 30 | |
| 16 | HV _{OUT} 31 | |
| 17 | HV _{OUT} 32 | |

44-Lead PLCC Pin Assignment (DJ/PJ) (cont.)

| HV5122PJ | | |
|----------|----------------------|---|
| Pin | Function | Function |
| 18 | DATA OUT | Data output for cascading to the data input of the next device. |
| 19 | N/C | No connect. |
| 20 | | |
| 21 | | |
| 22 | | |
| 23 | OE | Output enable input. When OE is LOW, all HV outputs are forced into a LOW state, regardless of data in each channel. When OE is HIGH, all HV outputs reflect data latched. |
| 24 | CLK | Data shift register clock. Input are shifted into the shift register on the positive edge of the clock. |
| 25 | GND | Logic and high voltage ground. |
| 26 | VDD | Low voltage logic power rail. |
| 27 | STR | Strobe. |
| 28 | DATA IN | Serial data input. Data needs to be present before each rising edge of the clock. |
| 29 | N/C | No connect. |
| 30 | HV _{OUT} 1 | High voltage outputs. |
| 31 | HV _{OUT} 2 | |
| 32 | HV _{OUT} 3 | |
| 33 | HV _{OUT} 4 | |
| 34 | HV _{OUT} 5 | |
| 35 | HV _{OUT} 6 | |
| 36 | HV _{OUT} 7 | |
| 37 | HV _{OUT} 8 | |
| 38 | HV _{OUT} 9 | |
| 39 | HV _{OUT} 10 | |
| 40 | HV _{OUT} 11 | |
| 41 | HV _{OUT} 12 | |
| 42 | HV _{OUT} 13 | |
| 43 | HV _{OUT} 14 | |
| 44 | HV _{OUT} 15 | |

44-Lead Quad Cerpac Package Outline (DJ)

.650x.650in body, .190in height (max), .050in pitch



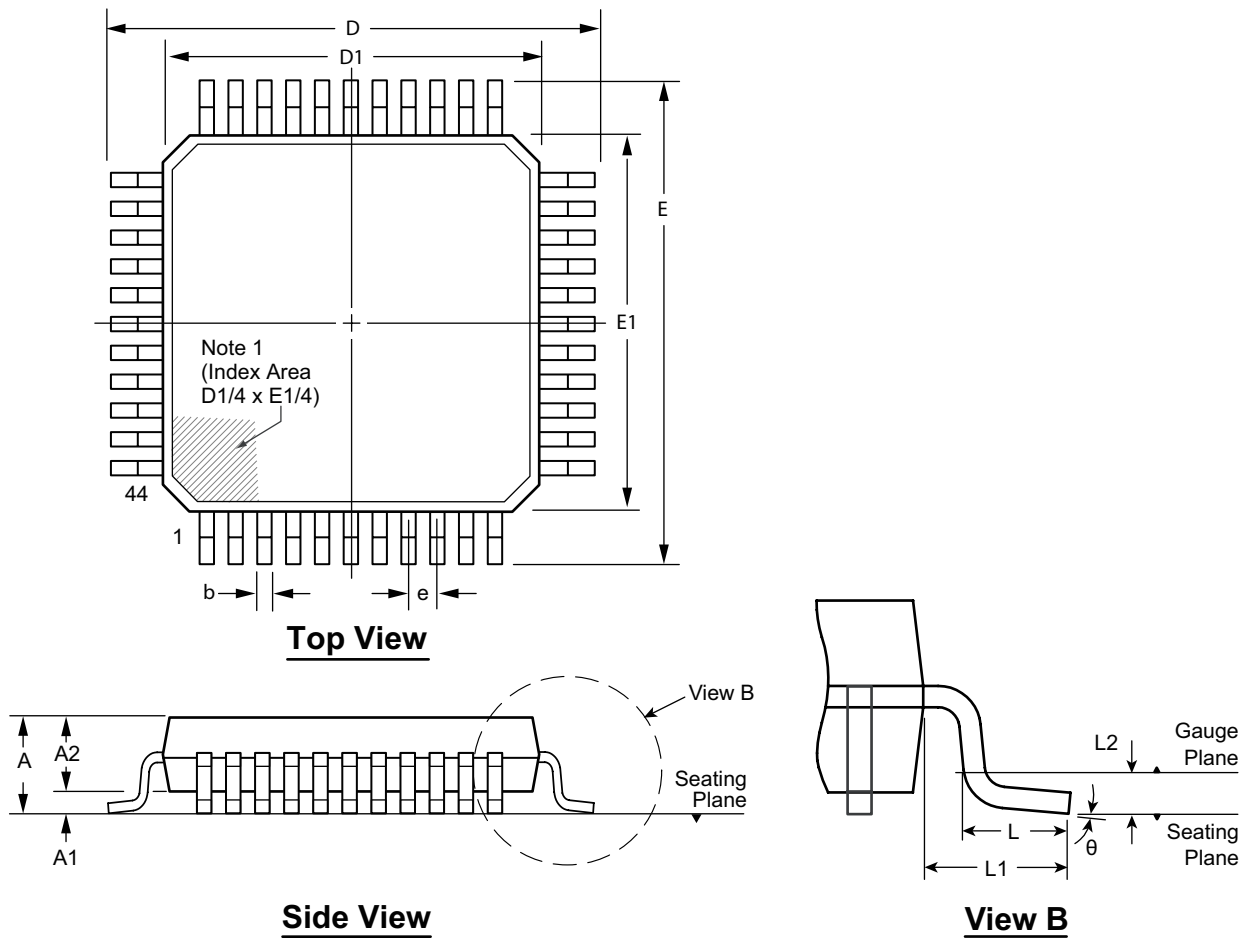
Note:
 1. A Pin 1 identifier must be located in the index area indicated. The Pin 1 identifier can be: a molded mark/identifier; an embedded metal marker; or a printed indicator.

| Symbol | A | A1 | A2 | b | b1 | D | D1 | E | E1 | e | |
|--------------------|-----|------|------|----------|------|------|------|------|------|------|----------|
| Dimension (inches) | MIN | .155 | .090 | .060 REF | .017 | .026 | .685 | .630 | .685 | .630 | .050 BSC |
| | NOM | .172 | .100 | | .019 | .029 | .690 | .650 | .690 | .650 | |
| | MAX | .190 | .120 | | .021 | .032 | .695 | .665 | .695 | .665 | |

JEDEC Registration MO-087, Variation AB, Issue B, August, 1991.
 Drawings not to scale.
 Supertex Doc. #: DSPD-44CERPACDJ, Version D090808.

44-Lead PQFP Package Outline (PG)

10.00x10.00mm body, 2.35mm height (max), 0.80mm pitch



Note:
 1. A Pin 1 identifier must be located in the index area indicated. The Pin 1 identifier can be: a molded mark/identifier; an embedded metal marker; or a printed indicator.

| Symbol | A | A1 | A2 | b | D | D1 | E | E1 | e | L | L1 | L2 | θ | |
|----------------|-----|-------|------|------|------|--------|--------|--------|--------|-------------|-------------|-------------|------|------|
| Dimension (mm) | MIN | 1.95* | 0.00 | 1.95 | 0.30 | 13.65* | 9.80* | 13.65* | 9.80* | 0.80 BSC | 1.95 REF | 0.25 BSC | 0° | |
| | NOM | - | - | 2.00 | - | 13.90 | 10.00 | 13.90 | 10.00 | | | | 0.73 | 3.5° |
| | MAX | 2.35 | 0.25 | 2.10 | 0.45 | 14.15* | 10.20* | 14.15* | 10.20* | | | | 0.88 | 7° |

JEDEC Registration MO-112, Variation AA-2, Issue B, Sep. 1995.

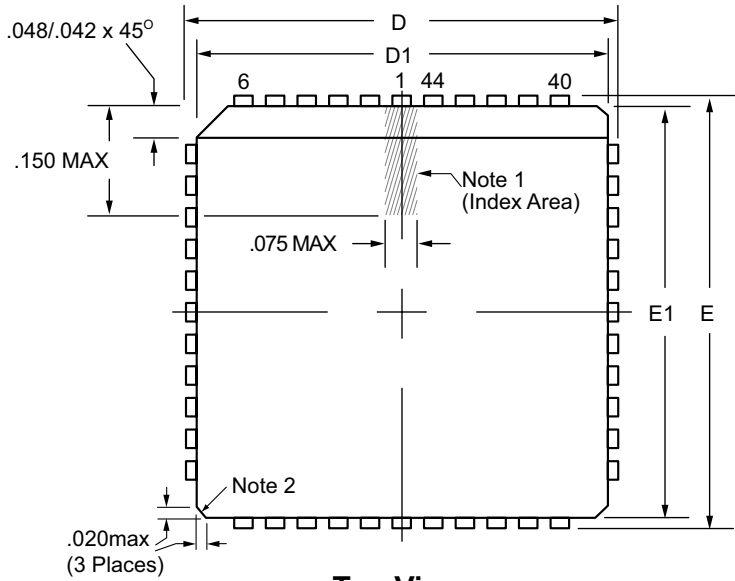
* This dimension is not specified in the JEDEC drawing.

Drawings not to scale.

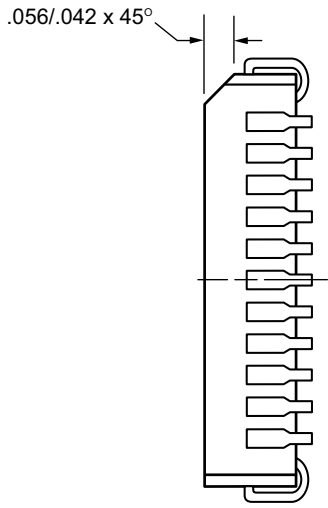
Supertex Doc. #: DSPD-44PQFP, Version C041309.

44-Lead PLCC Package Outline (PJ)

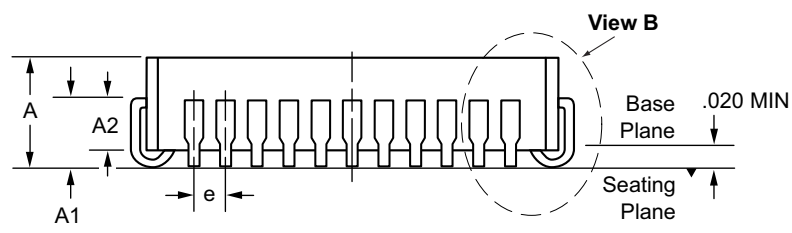
.653x.653in body, .180in height (max), .050in pitch



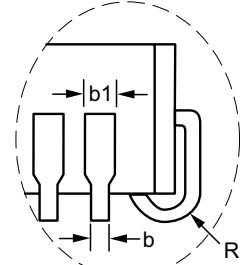
Top View



Vertical Side View



Horizontal Side View



View B

Notes:

1. A Pin 1 identifier must be located in the index area indicated. The Pin 1 identifier can be: a molded mark/identifier; an embedded metal marker; or a printed indicator.
2. Actual shape of this feature may vary.

| Symbol | | A | A1 | A2 | b | b1 | D | D1 | E | E1 | e | R |
|--------------------|-----|------|------|------|------|-------|------|------|------|------|----------|------|
| Dimension (inches) | MIN | .165 | .090 | .062 | .013 | .026 | .685 | .650 | .685 | .650 | .050 BSC | .025 |
| | NOM | .172 | .105 | - | - | - | .690 | .653 | .690 | .653 | | .035 |
| | MAX | .180 | .120 | .083 | .021 | .036† | .695 | .656 | .695 | .656 | | .045 |

JEDEC Registration MS-018, Variation AC, Issue A, June, 1993.

† This dimension differs from the JEDEC drawing.

Drawings not to scale.

Supertex Doc. #: DSPD-44PLCCPJ, Version F031111.

(The package drawing(s) in this data sheet may not reflect the most current specifications. For the latest package outline information go to <http://www.supertex.com/packaging.html>.)

Supertex inc. does not recommend the use of its products in life support applications, and will not knowingly sell them for use in such applications unless it receives an adequate "product liability indemnification insurance agreement." **Supertex inc.** does not assume responsibility for use of devices described, and limits its liability to the replacement of the devices determined defective due to workmanship. No responsibility is assumed for possible omissions and inaccuracies. Circuitry and specifications are subject to change without notice. For the latest product specifications refer to the **Supertex inc.** (website: <http://www.supertex.com>)