

High Voltage, Low Noise, Inductorless EL Lamp Driver

Features

- ▶ No external components required when using an external EL clock frequency
- ▶ Audible noise reduction with improved EMI
- ▶ EL frequency can be set by an external resistor
- ▶ DC to AC converter
- ▶ Drives up to 5.3nF (approx. 1.5in² lamp) load
- ▶ Output voltage regulation
- ▶ Enable function
- ▶ Available in 8-Lead DFN and MSOP packages

Applications

- ▶ Cellular phone keypad
- ▶ Watches
- ▶ Small handheld wireless devices
- ▶ MP3 Players

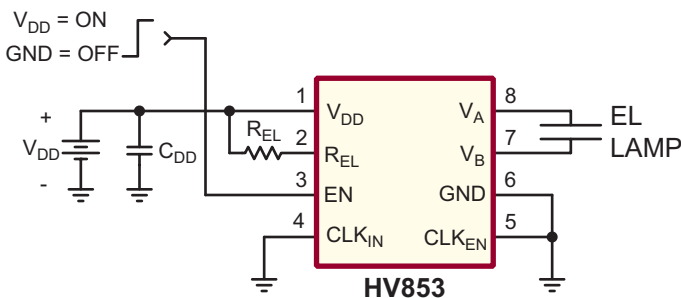
General Description

The Supertex HV853 is a high voltage, low noise EL (electroluminescent) lamp driver. It is the low noise version of the HV852 with improved EMI performance, operating over an input voltage range of 3.2V to 5.0V. It is designed to drive EL lamps of up to 1.5in², with capacitive values up to 5.3nF. The HV853 converts a low voltage DC input to a high voltage AC output across an EL lamp. A nominal regulated output voltage of $\pm 80V$ is applied to the EL lamp. It uses a charge pump scheme to boost the input voltage eliminating the need for an external inductor, diode, and high voltage capacitor commonly found in conventional topologies.

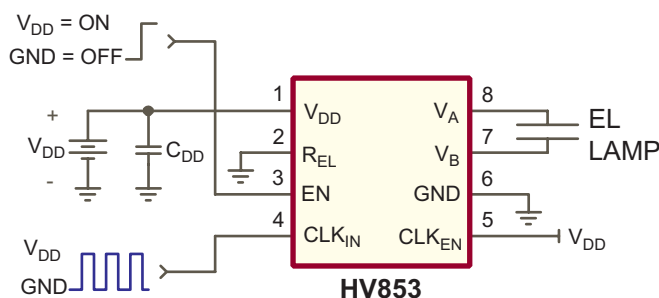
The charge pump circuit discharges its energy into an EL lamp through a high voltage H-bridge. Once the voltage reaches its regulated limit, it is turned off to conserve power. The EL lamp is then discharged to ground and the H-bridge changes state to allow the charge pump to charge the EL lamp in the opposite direction.

The EL lamp frequency can be set either by an external resistor R_{EL} or by applying an external clock where the clock frequency is divided by 128 to set the EL lamp frequency.

Typical Application Circuits



EL Lamp Frequency set by R_{EL}



EL Lamp Frequency set by External Clock

Ordering Information

DEVICE	Package Options	
	8-Lead DFN 3x3mm body, 0.80mm height (max), 0.65mm pitch	8-Lead MSOP 3x3mm body, 1.10mm height (max), 0.65mm pitch
HV853	HV853K7-G	HV853MG-G

-G indicates package is RoHS compliant ("Green")



Absolute Maximum Ratings

Parameter	Value
V _{DD} , supply voltage	-0.5V to 6.5V
Storage temperature	-65°C to +150°C
Power dissipation (8-Lead DFN)	1.6W
Power dissipation (8-Lead MSOP)	300mW

Absolute Maximum Ratings are those values beyond which damage to the device may occur. Functional operation under these conditions is not implied. Continuous operation of the device at the absolute rating level may affect device reliability. All voltages are referenced to device ground.

Electrical Characteristics

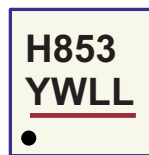
(Over recommended operating conditions unless otherwise specified, T_A = 25°C)

Symbol	Parameter	Min	Typ	Max	Units	Conditions
I _{DDQ}	Quiescent current	-	-	150	nA	EN = 0V
V _A or V _B	Peak output voltage	68	80	92	V	No load
V _A -V _B	Peak to peak output voltage	136	160	184	V	
I _{DD}	Operating current	-	15	30	mA	See Figure 1 V _{DD} = 3.5V R _{EL} = 1.5MΩ Load = 3.3nF + 1.0kΩ
V _A or V _B	Peak output voltage	68	80	92	V	
V _A -V _B	Peak to peak output voltage	136	160	184	V	
f _{EL}	EL lamp frequency	240	280	320	Hz	
t _{rou}	Output voltage rise time	-	450	-	μs	1.0in ² lamp 0V to 90% of final value
t _{fo}	Output voltage fall time	150	-	-	μs	90% to 10% of final value

Logic Inputs

V _{IL}	Input logic low voltage	0	-	0.5	V	---
V _{IH}	Input logic high voltage	2.0	-	V _{DD}	V	---
I _{IL}	Input logic low current	-	-	1.0	μA	---
I _{IH}	Input logic high current	-	-	1.0	μA	---

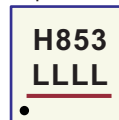
Product Marking



Y = Last Digit of Year Sealed
W = Code for Week Sealed
L = Lot Number
— = "Green" Packaging

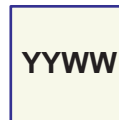
8-Lead DFN Package (K7)

Top Marking



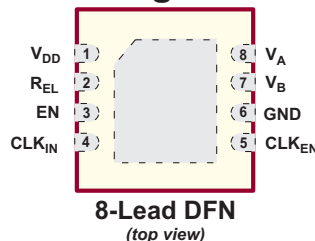
L = Lot Number
YY = Year Sealed
WW = Week Sealed
— = "Green" Packaging

Bottom Marking

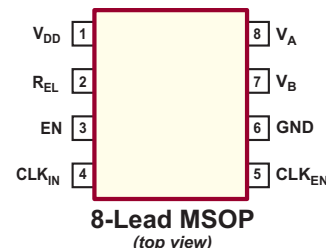


8-Lead MSOP Package (MG)

Pin Configuration



8-Lead DFN
(top view)



8-Lead MSOP
(top view)

Note:

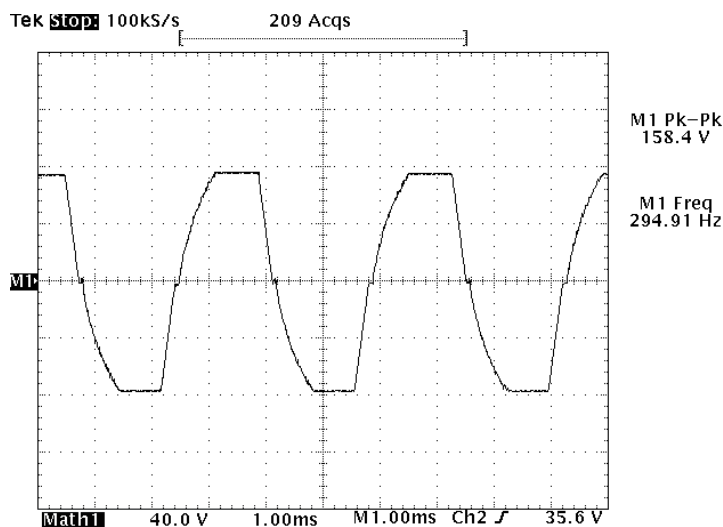
Pads are at the bottom of the package.
Center heat slug is at ground potential.

Symbol	Parameter	Min	Typ	Max	Units	Conditions
EN_{rise}	Enable input rise time (for delay turn off)	0.01	-	10	ms	Using external R-C circuit, see Figure 2
EN_{fall}	Enable input fall time (for delay turn off)	10	-	5.0	μ s	
C_{in}	Logic input capacitance	-	-	10	pF	---

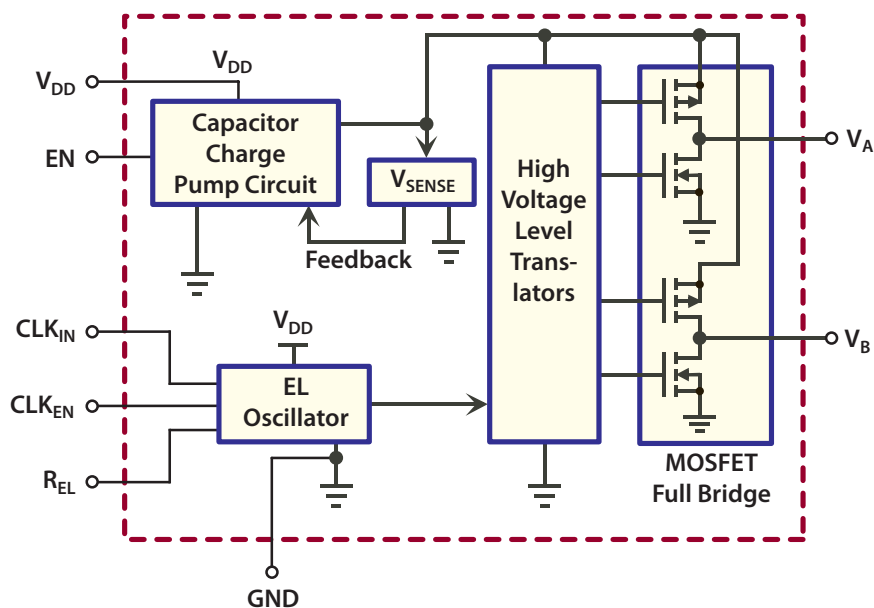
Recommended Operating Conditions

Symbol	Parameter	Min	Typ	Max	Units	Conditions
V_{DD}	Input voltage	3.2	-	5.0	V	---
f_{EL}	EL lamp frequency	50	-	500	Hz	---
C_{load}	EL lamp capacitance	0	-	5.3	nF	---
T_A	Operating temperature	-25	-	+85	$^{\circ}$ C	---

Typical Output Waveform



Functional Block Diagram



Typical Performance

(The following was the observed performance when driving a 1.0in² green lamp)

Load	R _{EL}	V _{DD}	I _{DD}	V _A -V _B	f _{EL}
3.3nF + 1.0kΩ	1.5MΩ	3.2	13.1	158	294
		3.5	12.9	158	
		3.8	12.7	158	
		4.2	12.5	158	
		5.0	12.3	158	

Figure 1: Typical Application

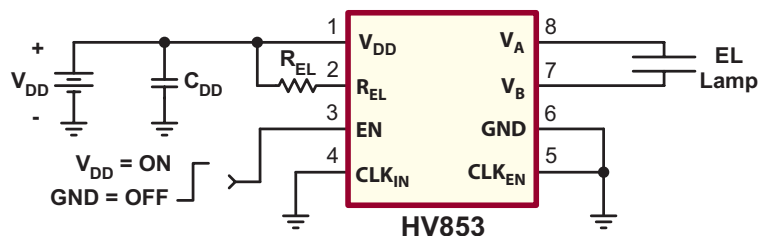


Figure 2: Push Button Turn on with Delay Turn off

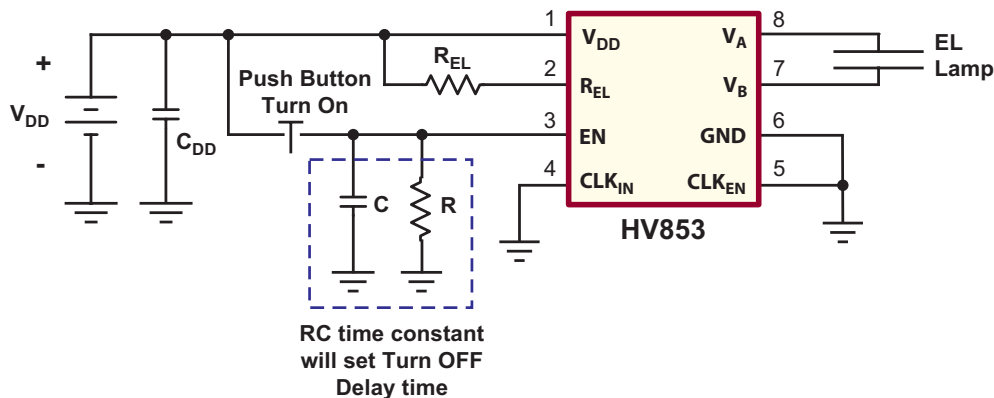
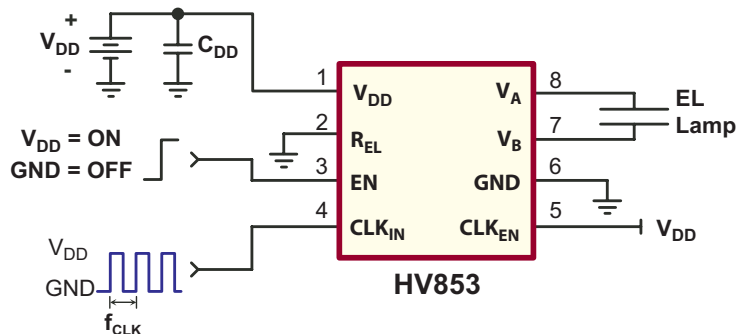


Figure 3: Independent Programmable Output Frequency (f_{EL})



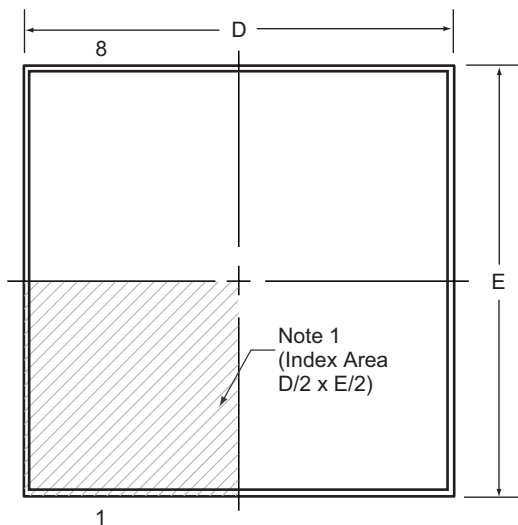
Note: f_{EL} = f_{CLK}/128

Pin Description

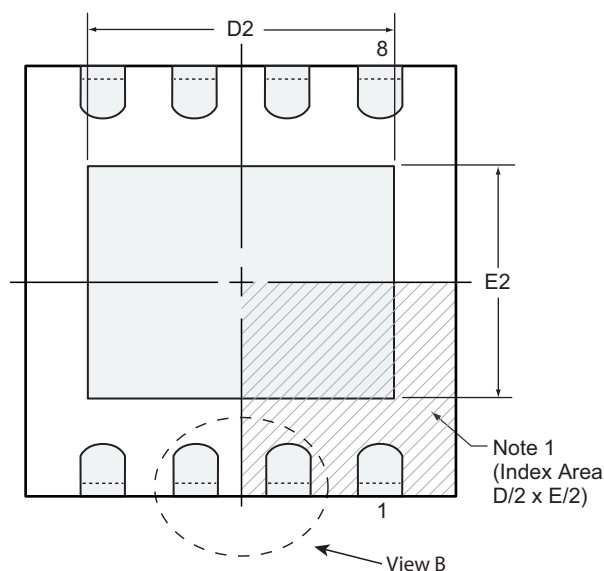
Pin #	Name	Description
1	V _{DD}	Input supply voltage pin.
2	R _{EL}	<p>An external resistor to V_{DD} will set the EL lamp frequency. The EL frequency is inversely proportional to the R_{EL} resistor value. A 1.5MΩ resistor would provide a nominal lamp frequency of 294Hz</p> $f_{EL} = \frac{(1.5M\Omega)(294)}{R_{EL}}$ <p>When using an external clock to set the EL lamp frequency, the R_{EL} pin should be connected to ground.</p>
3	EN	Enable input pin. Logic high will turn the device on. An external R-C circuit can be added for a delayed turn off.
4	CLK _{IN}	Logic input pin. An external logic clock applied to this pin can be used to set the EL lamp frequency (see Figure 3). The EL lamp frequency is the external clock frequency divided by 128. This is useful for applications requiring the EL lamp to be synchronized to a system clock. Connect to ground when not in use.
5	CLK _{EN}	Logic input pin. Logic high will cause the EL lamp frequency to be set by the CLK _{IN} input. Logic low will cause the EL lamp frequency to be set by the external R _{EL} resistor.
6	GND	IC ground pin.
7	V _B	EL lamp driver output pin. The EL lamp is connected across V _A and V _B terminals.
8	V _A	EL lamp driver output pin. The EL lamp is connected across V _A and V _B terminals.

8-Lead DFN Package Outline (K7)

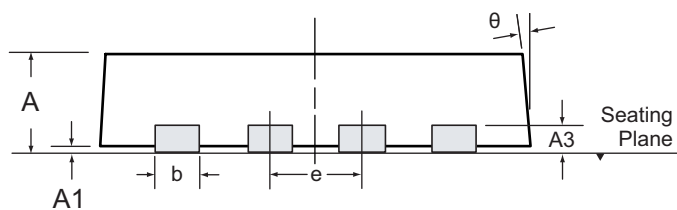
3x3mm body, 0.80mm height (max), 0.65mm pitch



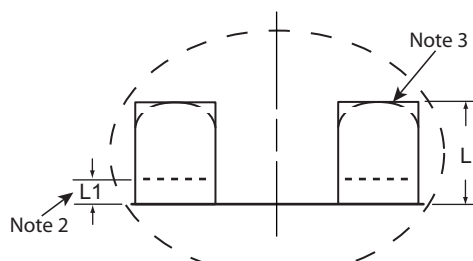
Top View



Bottom View



Side View



View B

Notes:

1. Details of Pin 1 identifier are optional, but must be located within the indicated area. The Pin 1 identifier may be either a mold, or an embedded metal or marked feature.
2. Depending on the method of manufacturing, a maximum of 0.15mm pullback (L1) may be present.
3. The inner tip of the lead may be either rounded or square.

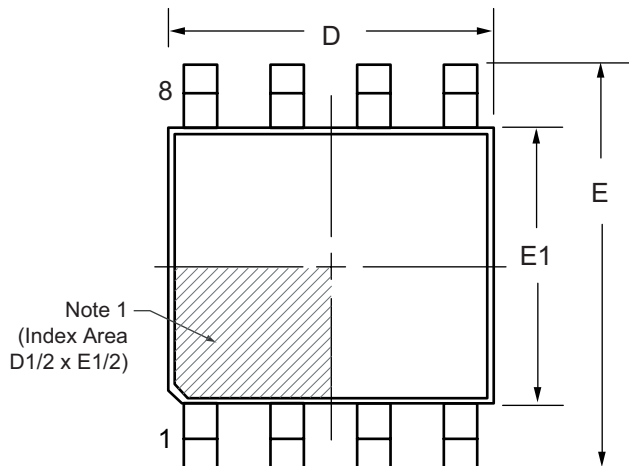
Symbol	A	A1	A3	b	D	D2	E	E2	e	L	L1	θ	
Dimension (mm)	MIN	0.70	0.00	0.20 REF	0.25	2.85	1.60	2.85	1.35	0.65 BSC	0.30	-	0°
	NOM	0.75	0.02		0.30	3.00	-	3.00	-		0.40	-	-
	MAX	0.80	0.05		0.35	3.15	2.50	3.15	1.75		0.50	0.15	14°

JEDEC Registration MO-229, Variation WEEC-2, Issue C, Aug. 2003.

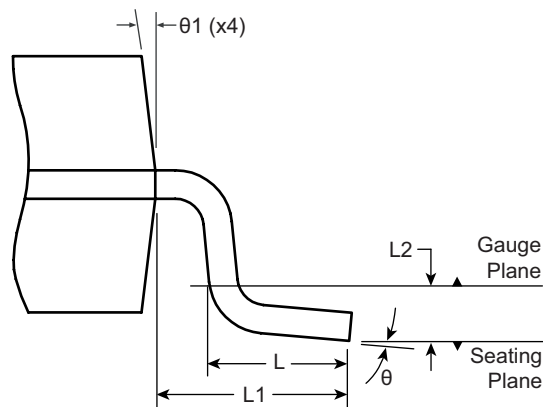
Drawings not to scale

8-Lead MSOP Package Outline (MG)

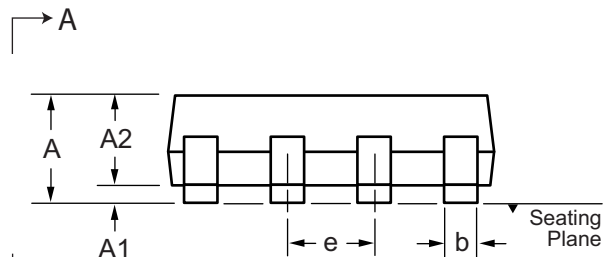
3x3mm body, 1.10mm height (max), 0.65mm pitch



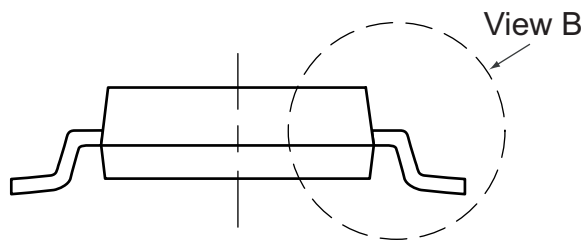
Top View



View B



Side View



View A-A

Note 1:

A Pin 1 identifier must be located in the index area indicated. The Pin 1 identifier may be either a mold, or an embedded metal or marked feature.

Symbol		A	A1	A2	b	D	E	E1	e	L	L1	L2	θ	$\theta 1$
Dimension (mm)	MIN	0.75	0.00	0.75	0.22	2.80	4.65	2.80	0.65 BSC	0.40	0.95 REF	0.25 BSC	0°	5°
	NOM	-	-	0.85	-	3.00	4.90	3.00		0.60			-	-
	MAX	1.10	0.15	0.95	0.38	3.20	5.15	3.20		0.80			8°	15°

JEDEC Registration MO-187, Variation AA, Issue E, Dec. 2004.

Drawings not to scale.

(The package drawing(s) in this data sheet may not reflect the most current specifications. For the latest package outline information go to <http://www.supertex.com/packaging.html>.)

Supertex inc. does not recommend the use of its products in life support applications, and will not knowingly sell its products for use in such applications, unless it receives an adequate "product liability indemnification insurance agreement". **Supertex** does not assume responsibility for use of devices described and limits its liability to the replacement of the devices determined defective due to workmanship. No responsibility is assumed for possible omissions or inaccuracies. Circuitry and specifications are subject to change without notice. For the latest product specifications, refer to the **Supertex** website: <http://www.supertex.com>.