

High-Voltage Low-Noise EL Lamp Driver IC

Features

- Audible Noise Reduction
- 190 V_{PP} Output Voltage for Higher Brightness
- Single-cell Lithium Ion-Compatible
- 150 nA Shutdown Current
- Wide Input Voltage Range, 1.8V to 5V
- Separately Adjustable Lamp and Converter Frequencies
- Output Voltage Regulation
- Split Supply Capability

Applications

- Mobile Cellular Phones
- Keypad Backlighting
- LCD Backlighting
- PDAs
- Handheld Wireless Communication Devices
- Global Positioning Systems (GPS)

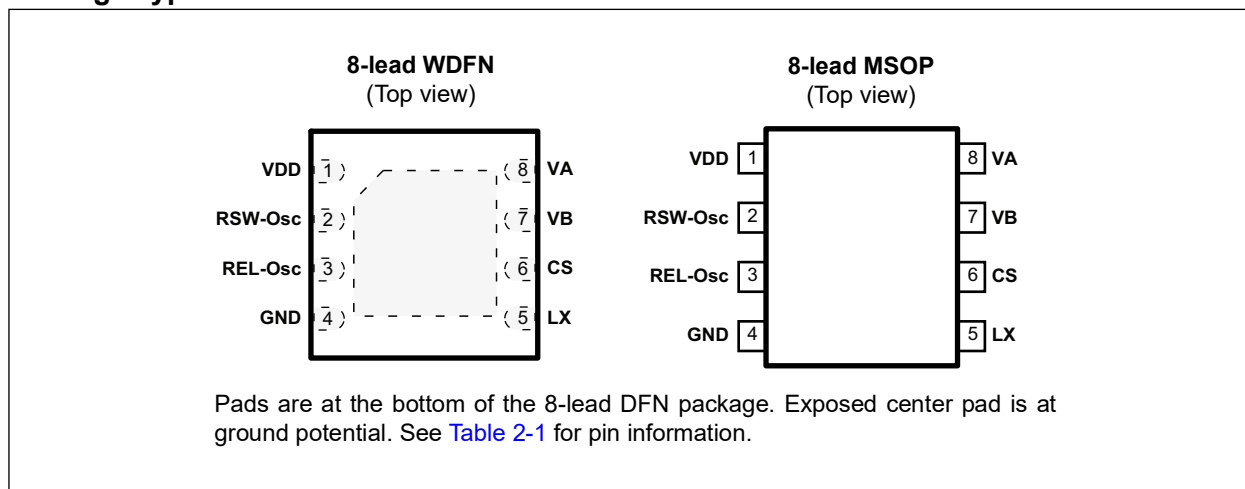
General Description

The HV857L is a low-noise high-voltage driver designed for driving Electroluminescent (EL) lamps of up to 5 in². It is the low-noise version of the EL lamp driver HV857. The input supply voltage range is from 1.8V to 5V. The device uses a single inductor and a minimum number of passive components. The nominal regulated output voltage that is applied to the EL lamp is ±95V. The chip can be enabled and disabled by connecting the resistor on RSW-Osc to VDD/ground.

The HV857L has two internal oscillators, a switching MOSFET, and a high-voltage EL lamp driver. The frequency for the switching MOSFET is set by an external resistor connected between the RSW-Osc pin and the supply pin, VDD. The EL lamp driver frequency is set by an external resistor connected between the REL-Osc and VDD pins. An external inductor is connected between the LX and VDD pins, or VIN for split supply applications. A 0.003 μF to 0.1 μF capacitor is connected between C_S and ground. The EL lamp is connected between the V_A and V_B pins.

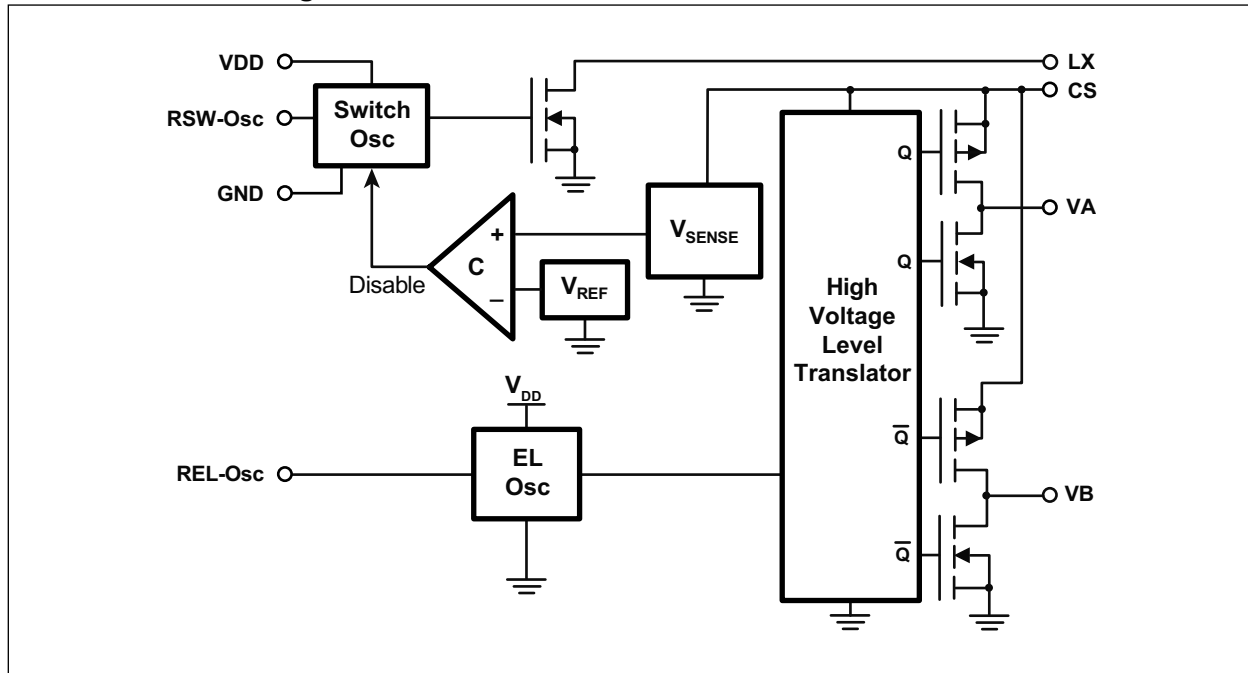
The switching MOSFET charges the external inductor and discharges it into the capacitor at C_S. The voltage at C_S will start to increase. Once the voltage at C_S reaches a nominal value of 95V, the switching MOSFET is turned OFF to conserve power. The outputs V_A and V_B are configured as an H-bridge and are switching in opposite states to achieve ±95V across the EL lamp.

Package Types

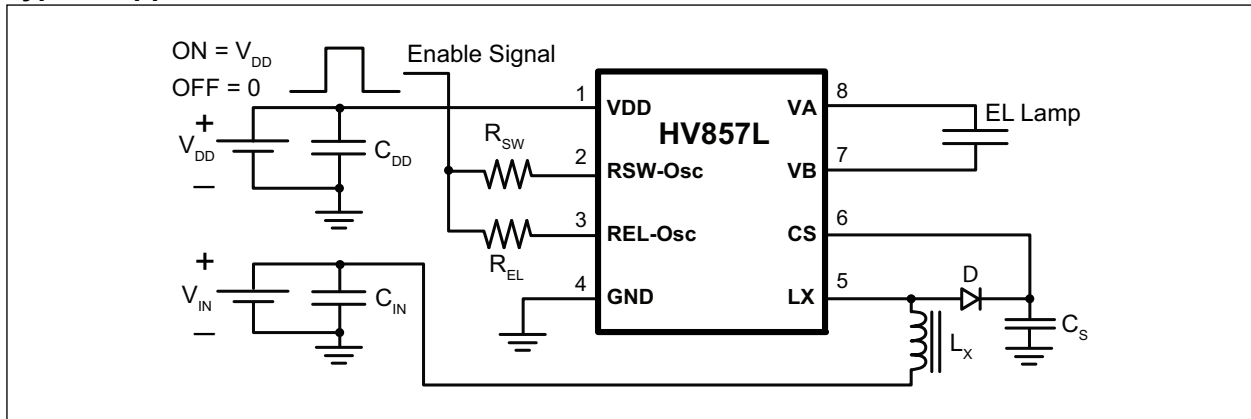


HV857L

Functional Block Diagram



Typical Application Circuit



HV857L

1.0 ELECTRICAL CHARACTERISTICS

Absolute Maximum Ratings^(†)

Supply Voltage, V_{DD}	-0.5V to 6.5V
Output Voltage, V_{CS}	-0.5V to +120V
Operating Temperature, T_A	-40°C to +85°C
Storage Temperature, T_S	-65°C to +150°C
Power Dissipation:	
8-lead WDFN	1.6W
8-lead MSOP	300 mW

† **Notice:** Stresses above those listed under “Absolute Maximum Ratings” may cause permanent damage to the device. This is a stress rating only, and functional operation of the device at those or any other conditions above those indicated in the operational sections of this specification is not intended. Exposure to maximum rating conditions for extended periods may affect device reliability.

RECOMMENDED OPERATING CONDITIONS

Parameter	Sym.	Min.	Typ.	Max.	Unit	Conditions
Supply Voltage	V_{DD}	1.8	—	5	V	
Operating Drive Frequency	f_{EL}	—	—	1	kHz	
Operating Temperature	T_A	-40	—	+85	°C	

ELECTRICAL CHARACTERISTICS

Electrical Specifications: Over recommended operating conditions unless otherwise specified, $T_A = 25^\circ\text{C}$.

Parameter	Sym.	Min.	Typ.	Max.	Unit	Conditions
On-Resistance of Switching Transistor	$R_{DS(ON)}$	—	—	6.0	Ω	$I = 100\text{ mA}$
Maximum Output Regulation Voltage	V_{CS}	85	95	105	V	$V_{DD} = 1.8\text{V to }5\text{V}$
Peak-to-Peak Output Voltage	$V_A - V_B$	170	190	210	V	$V_{DD} = 1.8\text{V to }5\text{V}$
Quiescent V_{DD} Supply Current	I_{DDQ}	—	—	150	nA	$R_{SW-Osc} = \text{Low}$
Input Current going into the V_{DD} pin	I_{DD}	—	—	150	μA	$V_{DD} = 1.8\text{V to }5\text{V}$ (See Figure 3-1.)
Input Current including Inductor Current	I_{IN}	—	25	40	mA	See Figure 3-1. (Note 1)
Output Voltage on V_{CS}	V_{CS}	—	92	—	V	See Figure 3-1.
EL Lamp Frequency	f_{EL}	175	205	235	Hz	See Figure 3-1.
Switching Transistor Frequency	f_{SW}	65	77	89	kHz	See Figure 3-1.
Switching Transistor Duty Cycle	D	—	88	—	%	See Figure 3-1.

Note 1: The inductor used is 220 μH with a maximum DC resistance of 8.4 Ω .

TEMPERATURE SPECIFICATIONS

Parameter	Sym.	Min.	Typ.	Max.	Unit	Conditions
TEMPERATURE RANGE						
Operating Temperature	T_A	-40	—	+85	°C	
Storage Temperature	T_S	-65	—	+150	°C	
PACKAGE THERMAL RESISTANCE						
8-lead WDFN	θ_{JA}	—	37	—	°C/W	
8-lead MSOP	θ_{JA}	—	171	—	°C/W	

Note 1: Mounted on an FR4 board, 25 mm x 25 mm x 1.57 mm.

ENABLE/DISABLE FUNCTION TABLE

Parameter	Sym.	Min.	Typ.	Max.	Unit	Conditions
Logic Input Low Voltage	EN-L	0	—	0.2	V	$V_{DD} = 1.8V$ to $5V$
Logic Input High Voltage	EN-H	$V_{DD} - 0.2$	—	V_{DD}	V	$V_{DD} = 1.8V$ to $5V$

HV857L

2.0 PIN DESCRIPTION

The details on the pins of HV857L are listed in [Table 2-1](#). See location of pins in [Package Types](#).

TABLE 2-1: PIN FUNCTION TABLE

8-lead WDFN Pin Number	8-lead MSOP Pin Number	Pin Name	Description
1	1	VDD	Power supply pin
2	2	RSW-Osc	<p>The switching frequency of the converter is controlled via an external resistor, R_{SW}, between RSW-Osc and VDD of the device. The switching frequency increases as R_{SW} decreases. Given the inductor, as the switching frequency increases, the amount of current drawn from the battery decreases and the output voltage, V_{CS}, also decreases.</p> $f_{SW} = \frac{560k\Omega \times 77Hz}{R_{SW}}$
3	3	REL-Osc	<p>The EL lamp frequency is controlled via an external R_{EL} resistor connected between REL-Osc and VDD of the device. The lamp frequency increases as R_{EL} decreases. As the EL lamp frequency increases, the amount of current drawn from the battery will increase and the output voltage V_{CS} will decrease. The color of the EL lamp is dependent upon its frequency.</p> <p>A 2 MΩ resistor would provide a lamp frequency of 205 Hz. Decreasing the R_{EL} resistor by a factor of two will increase the lamp frequency by a factor of two.</p> $f_{EL} = \frac{2M\Omega \times 205Hz}{R_{EL}}$
4	4	GND	Ground pin
5	5	LX	<p>The inductor L_X is used to boost the low input voltage by inductive flyback. When the internal switch is on, the inductor is being charged. When the internal switch is off, the charge stored in the inductor will be transferred to the high-voltage capacitor C_S. The energy stored in the capacitor is connected to the internal H-bridge, and therefore to the EL lamp. In general, smaller value inductors, which can handle more current, are more suitable to drive larger sized lamps. As the inductor value decreases, the switching frequency of the inductor (controlled by R_{SW}) should be increased to avoid saturation.</p> <p>A 220 μH inductor with 8.4Ω series DC resistance is typically recommended. For inductors with the same inductance value, but with a lower series DC resistance, a lower R_{SW} resistor value is needed to prevent high current draw and inductor saturation.</p>
6	6	CS	A fast reverse recovery diode, BAS21 or equivalent, needs to be connected between the CS pin and LX pin. A 0.003 μ F to 0.1 μ F, 100V capacitor to GND is used to store the energy transferred from the inductor.
7,8	7,8	VB,VA	The EL lamp terminals are connected to the VA and VB pins. Polarity is irrelevant. As the EL lamp size increases, more current will be drawn from the battery to maintain high voltage across the EL lamp. The input power ($V_{IN} \times I_{IN}$) will also increase. If the input power is greater than the power dissipation of the package, an external resistor in series with one side of the lamp is recommended to help reduce the package power dissipation.

3.0 APPLICATION INFORMATION

3.1 Typical Application/Test Circuit

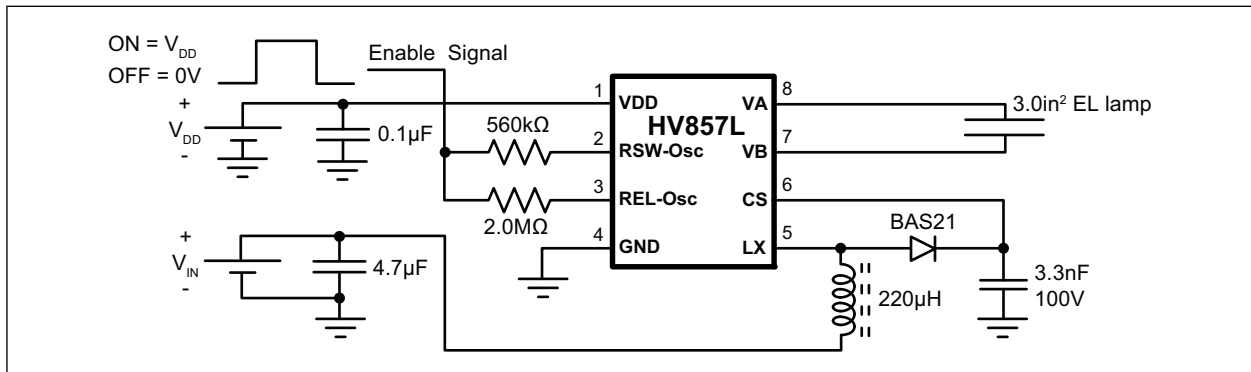


FIGURE 3-1: Typical Application/Test Circuit.

TABLE 3-1: TYPICAL PERFORMANCE

Device	Lamp Size	$V_{DD} = V_{IN}$	I_{IN}	V_{CS}	f_{EL}	Brightness
HV857L	3 in ²	3.3V	25.4 mA	92V	205 Hz	5.7 ft-Im

3.1.1 TYPICAL PERFORMANCE CURVES FOR TYPICAL APPLICATION/TEST CIRCUIT (Figure 3-1)

Note 1: The graphs and tables provided following this note are a statistical summary based on a limited number of samples and are provided for informational purposes only. The performance characteristics listed herein are not tested or guaranteed. In some graphs or tables, the data presented may be outside the specified operating range (e.g. outside specified power supply range) and therefore outside the warranted range.

2: EL Lamp = 3 in², $V_{DD} = 3V$

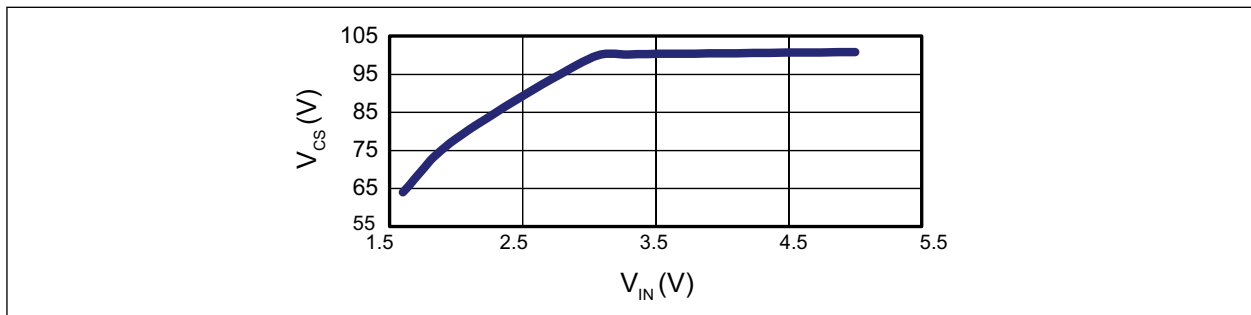


FIGURE 3-2: V_{CS} vs. V_{IN} .

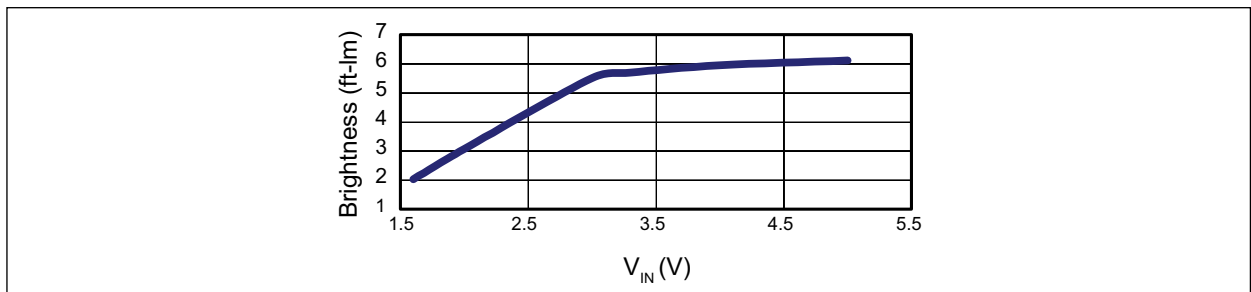


FIGURE 3-3: Brightness vs. V_{IN} .

HV857L

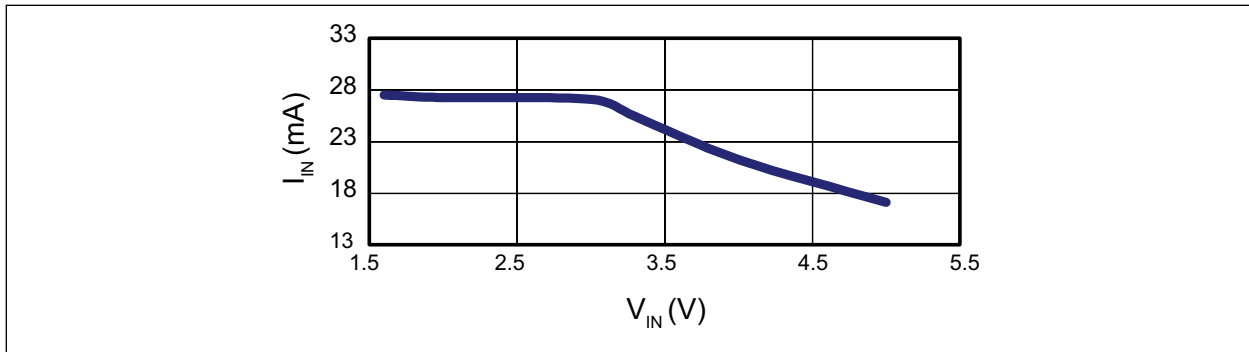


FIGURE 3-4: I_{IN} vs. V_{IN} .

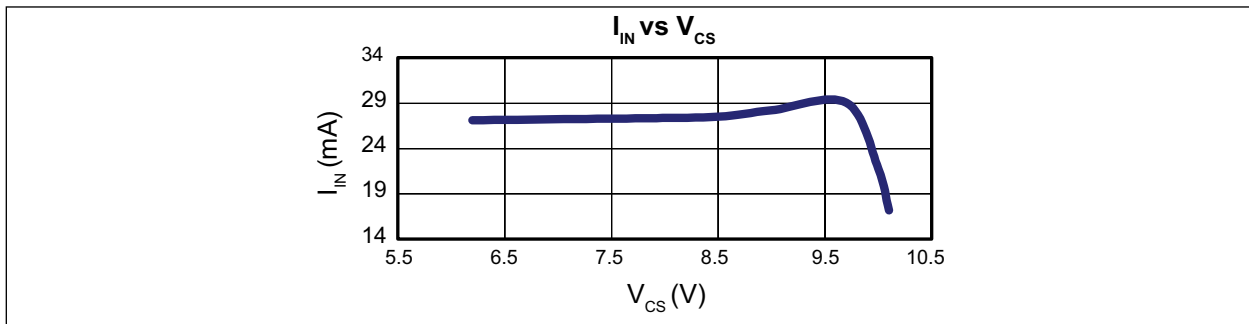


FIGURE 3-5: I_{IN} vs. V_{CS} .

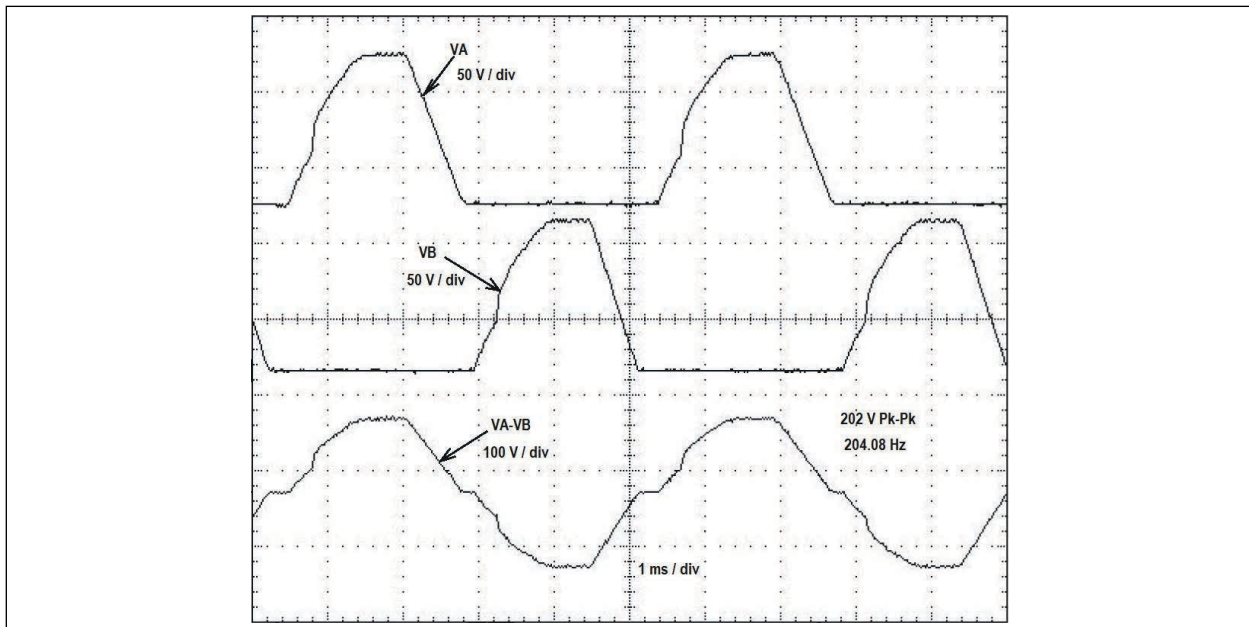


FIGURE 3-6: Typical VA, VB, VA-VB Output Voltage Waveform.

3.2 Split Supply and Enable/Disable Configuration

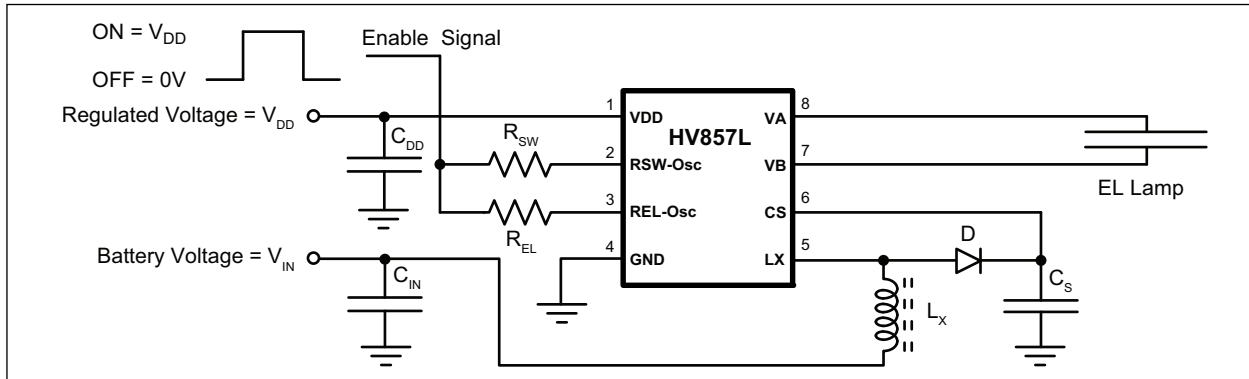


FIGURE 3-7: Split Supply and Enable/Disable Configuration.

3.2.1 SPLIT SUPPLY CONFIGURATION

The HV857L can also be used for handheld devices operating from a battery where a regulated voltage is available. This is shown in [Figure 3-7](#). The regulated voltage can be used to run the internal logic of the HV857L. The amount of current necessary to run the internal logic is 150 μA maximum at a V_{DD} of 5V. Therefore, the regulated voltage could easily provide the current without being loaded down.

3.2.2 ENABLE/DISABLE CONFIGURATION

The HV857L can be easily enabled and disabled via a logic control signal on the R_{SW} and R_{EL} resistors as illustrated in [Figure 3-7](#). The control signal, which can be from a microprocessor, has to track the V_{DD} supply. R_{SW} and R_{EL} are typically very high values. Therefore, only 10s of microamperes will be drawn from the logic signal when it is at a Logic High (enable) state. When the microprocessor signal is high, the device is enabled, but when the signal is low, it is disabled.

3.2.3 AUDIBLE NOISE REDUCTION

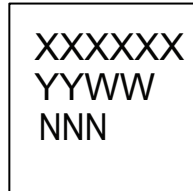
Due to the EL lamp's construction, the EL Lamp emits an audible noise when lit. The noise creates a major problem for applications where the lamp is used in devices often placed close to the ear, such as cellular phones. The HV857L employs a circuit designed to help minimize the EL lamp's audible noise by slowing down the rise and fall times of the voltage applied on the lamp.

HV857L

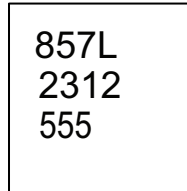
4.0 PACKAGING INFORMATION

4.1 Package Marking Information

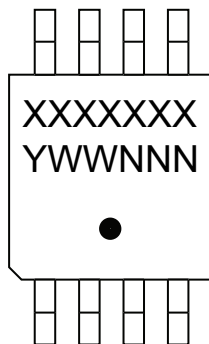
8-lead WDFN



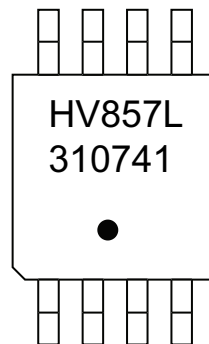
Example



8-lead MSOP



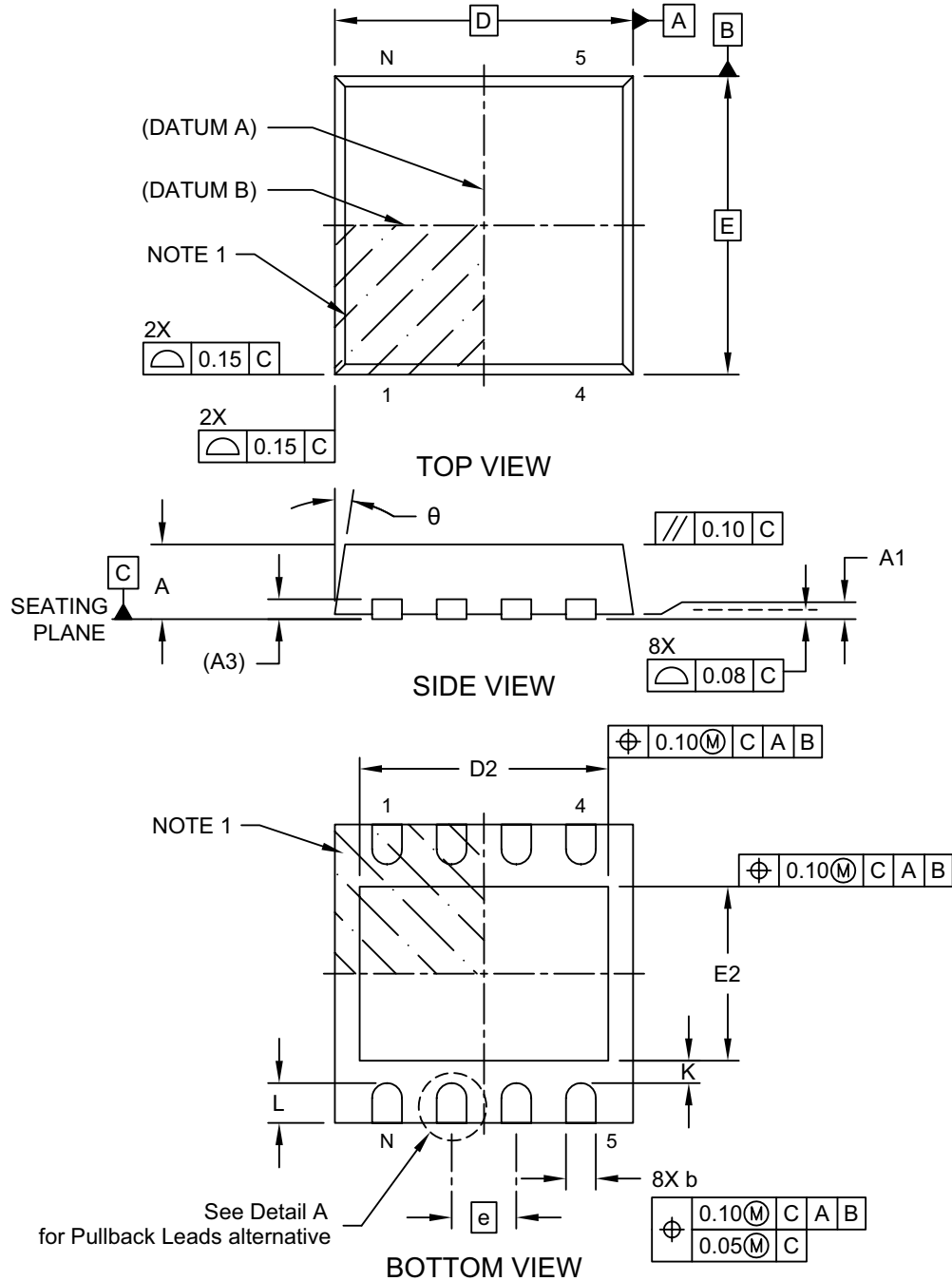
Example



Legend:	XX...X	Product Code or Customer-specific information
	Y	Year code (last digit of calendar year)
	YY	Year code (last 2 digits of calendar year)
	WW	Week code (week of January 1 is week '01')
	NNN	Alphanumeric traceability code
	(e3)	Pb-free JEDEC® designator for Matte Tin (Sn)
	*	This package is Pb-free. The Pb-free JEDEC designator (e3) can be found on the outer packaging for this package.
Note:	In the event the full Microchip part number cannot be marked on one line, it will be carried over to the next line, thus limiting the number of available characters for product code or customer-specific information. Package may or not include the corporate logo.	

8-Lead Very, Very Thin Plastic Dual Flat, No Lead Package (UQ) - 3x3 mm Body [WDFN]; Supertex Legacy Package

Note: For the most current package drawings, please see the Microchip Packaging Specification located at <http://www.microchip.com/packaging>

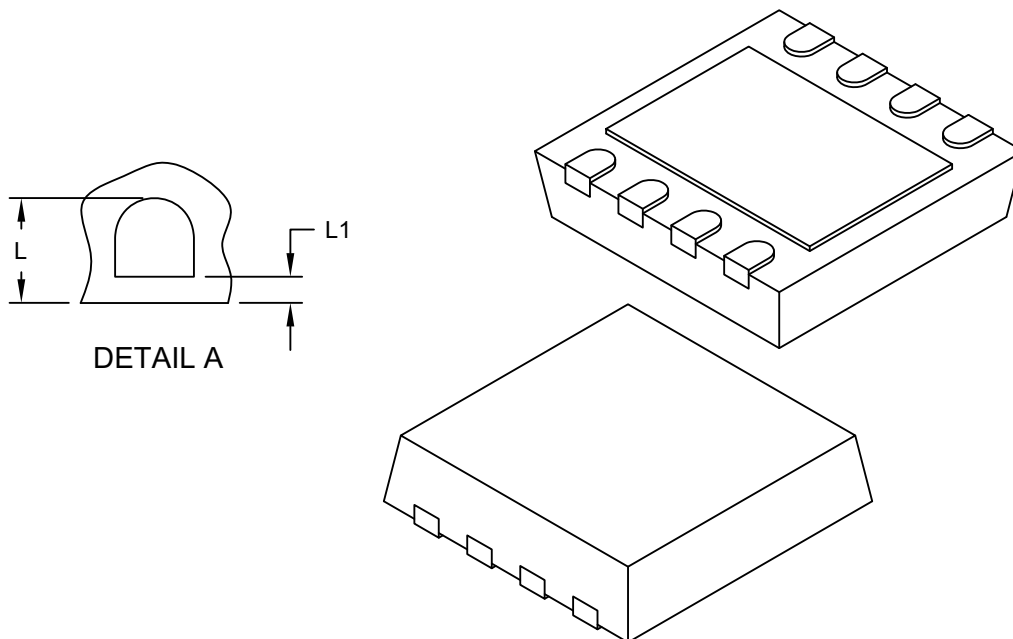


Microchip Technology Drawing C04-291A Sheet 1 of 2

HV857L

8-Lead Very, Very Thin Plastic Dual Flat, No Lead Package (UQ) - 3x3 mm Body [WDFN]; Supertex Legacy Package

Note: For the most current package drawings, please see the Microchip Packaging Specification located at <http://www.microchip.com/packaging>



Dimension Limits	Units	MILLIMETERS		
		MIN	NOM	MAX
Number of Terminals	N	8		
Pitch	e	0.65 BSC		
Overall Height	A	0.70	0.75	0.80
Standoff	A1	0.00	0.02	0.05
Terminal Thickness	A3	0.20 REF		
Overall Length	D	3.00 BSC		
Exposed Pad Length	D2	1.60	-	2.50
Overall Width	E	3.00 BSC		
Exposed Pad Width	E2	1.35	-	1.75
Terminal Width	b	0.25	0.30	0.35
Terminal Length	L	0.30	0.40	0.50
Pullback	L1	-	-	0.15
Mold Angle	θ	0°	7°	14°
Terminal-to-Exposed-Pad	K	0.20	-	-

Notes:

1. Pin 1 visual index feature may vary, but must be located within the hatched area.
2. Package is saw singulated
3. Dimensioning and tolerancing per ASME Y14.5M

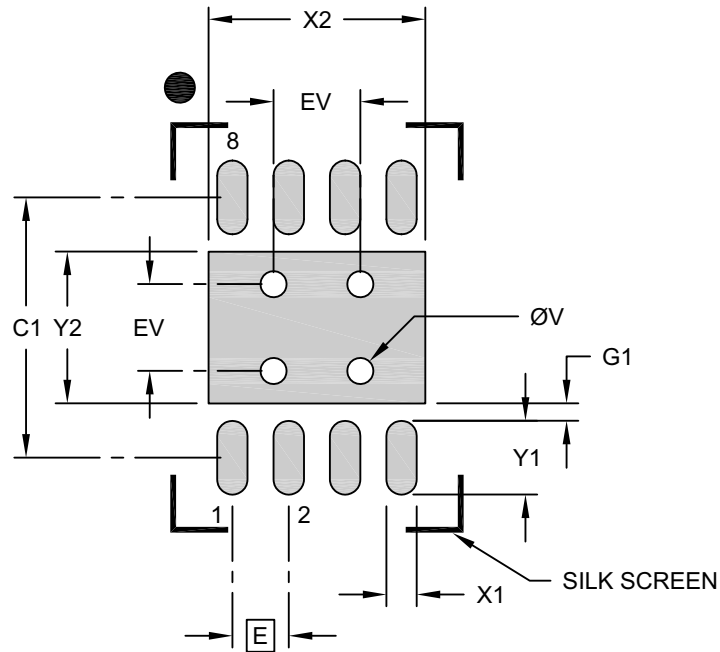
BSC: Basic Dimension. Theoretically exact value shown without tolerances.

REF: Reference Dimension, usually without tolerance, for information purposes only.

Microchip Technology Drawing C04-291A Sheet 2 of 2

8-Lead Very, Very Thin Plastic Dual Flat, No Lead Package (UQ) - 3x3 mm Body [WDFN]; Supertex Legacy Package

Note: For the most current package drawings, please see the Microchip Packaging Specification located at <http://www.microchip.com/packaging>



RECOMMENDED LAND PATTERN

Dimension Limits	Units	MILLIMETERS		
		MIN	NOM	MAX
Contact Pitch	E	0.65 BSC		
Optional Center Pad Width	X2			2.50
Optional Center Pad Length	Y2			1.75
Contact Pad Spacing	C1		3.00	
Contact Pad Width (X8)	X1			0.35
Contact Pad Length (X8)	Y1			0.85
Contact Pad to Center Pad (X8)	G1	0.20		
Thermal Via Diameter	V		0.33	
Thermal Via Pitch	EV		1.20	

Notes:

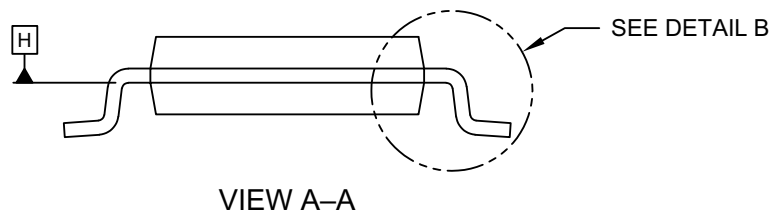
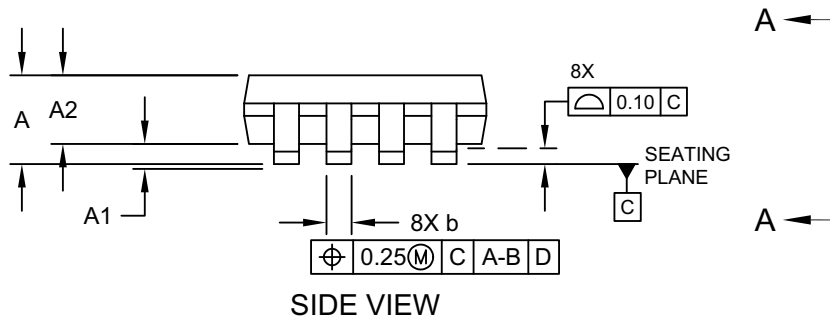
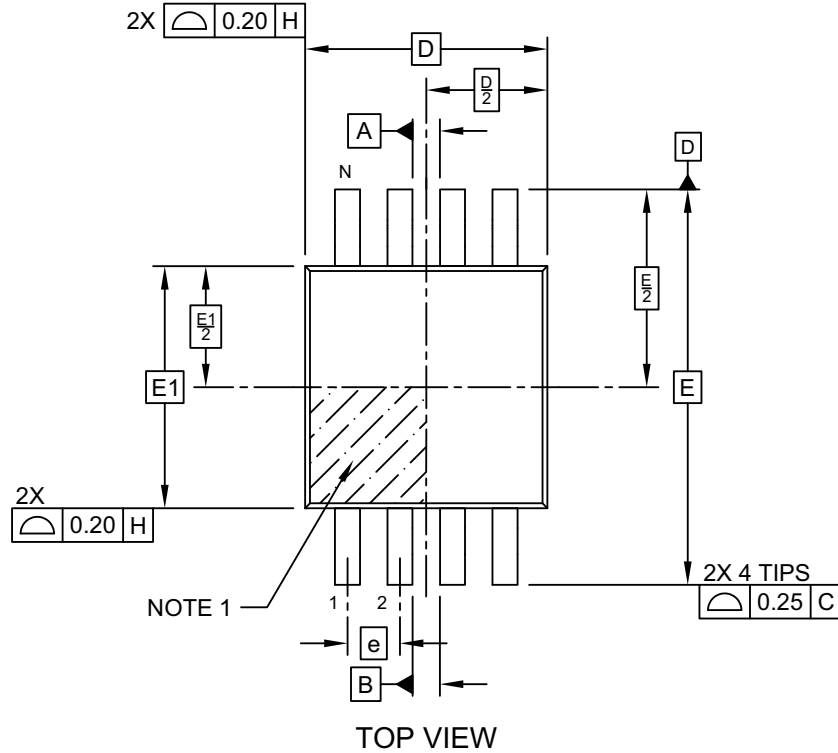
- Dimensioning and tolerancing per ASME Y14.5M
BSC: Basic Dimension. Theoretically exact value shown without tolerances.
- For best soldering results, thermal vias, if used, should be filled or tented to avoid solder loss during reflow process

Microchip Technology Drawing C04-2291A

HV857L

8-Lead Plastic Micro Small Outline Package (A3X) - 3x3 mm Body [MSOP]

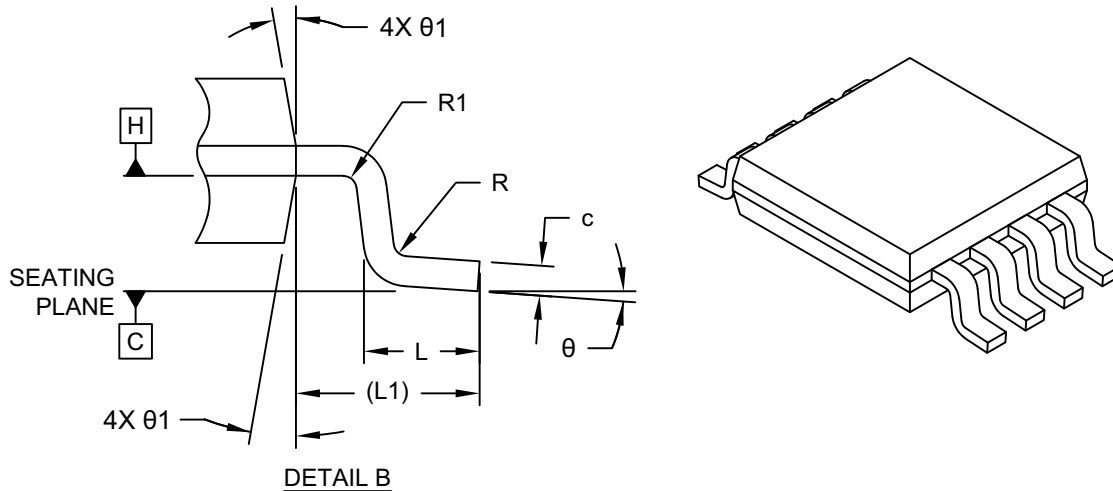
Note: For the most current package drawings, please see the Microchip Packaging Specification located at <http://www.microchip.com/packaging>



Microchip Technology Drawing C04-111-A3X Rev F Sheet 1 of 2

8-Lead Plastic Micro Small Outline Package (A3X) - 3x3 mm Body [MSOP]

Note: For the most current package drawings, please see the Microchip Packaging Specification located at <http://www.microchip.com/packaging>



Dimension Limits	Units	MILLIMETERS		
		MIN	NOM	MAX
Number of Terminals	N	8		
Pitch	e	0.65 BSC		
Overall Height	A	–	–	1.10
Standoff	A1	0.00	–	0.15
Molded Package Thickness	A2	0.75	0.85	0.95
Overall Length	D	3.00 BSC		
Overall Width	E	4.90 BSC		
Molded Package Width	E1	3.00 BSC		
Terminal Width	b	0.22	–	0.40
Terminal Thickness	c	0.08	–	0.23
Terminal Length	L	0.40	0.60	0.80
Footprint	L1	0.95 REF		
Lead Bend Radius	R	0.07	–	–
Lead Bend Radius	R1	0.07	–	–
Foot Angle	θ	0°	–	8°
Mold Draft Angle	θ1	5°	–	15°

Notes:

- Pin 1 visual index feature may vary, but must be located within the hatched area.
- Dimensions D and E1 do not include mold flash or protrusions. Mold flash or protrusions shall not exceed 0.15mm per side.
- Dimensioning and tolerancing per ASME Y14.5M
 BSC: Basic Dimension. Theoretically exact value shown without tolerances.
 REF: Reference Dimension, usually without tolerance, for information purposes only.

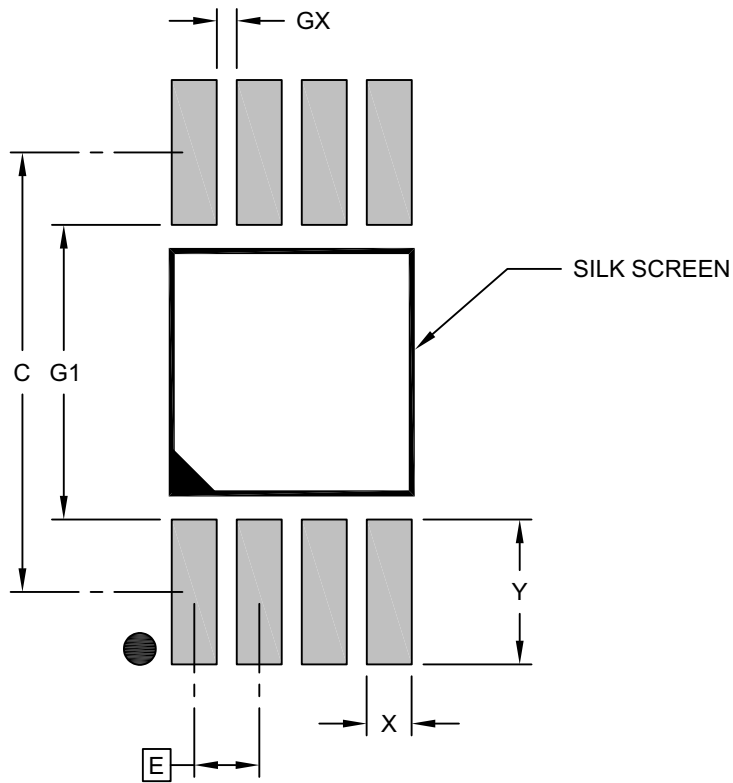
Microchip Technology Drawing C04-111-A3X Rev F Sheet 2 of 2

© 2022 Microchip Technology Inc.

HV857L

8-Lead Plastic Micro Small Outline Package (A3X) - 3x3 mm Body [MSOP]

Note: For the most current package drawings, please see the Microchip Packaging Specification located at <http://www.microchip.com/packaging>



RECOMMENDED LAND PATTERN

Dimension Limits	Units	MILLIMETERS		
		MIN	NOM	MAX
Contact Pitch	E	0.65 BSC		
Contact Pad Spacing	C		4.40	
Contact Pad Width (X8)	X			0.45
Contact Pad Length (X8)	Y			1.45
Contact Pad to Contact Pad (X4)	G1	2.95		
Contact Pad to Contact Pad (X6)	GX	0.20		

Notes:

1. Dimensioning and tolerancing per ASME Y14.5M

BSC: Basic Dimension. Theoretically exact value shown without tolerances.

Microchip Technology Drawing C04-2111-A3X Rev F

© 2022 Microchip Technology Inc.

APPENDIX A: REVISION HISTORY

Revision A (September 2023)

- Converted Supertex Doc# DSFP-HV857L to Microchip DS20005691A
- Changed the quantity of the K7 package from 3000/Reel to 3300/Reel to align packaging specifications with the actual BQM
- Updated the package outline drawings
- Made minor text changes throughout the document

HV857L

PRODUCT IDENTIFICATION SYSTEM

To order or obtain information, e.g., on pricing or delivery, contact your local Microchip representative or sales office.

<u>PART NO.</u>	<u>XX</u>	-	<u>X</u>	-	<u>X</u>
Device	Package Options		Environmental		Media Type
Device:	HV857L	=	High-Voltage Low-Noise EL Lamp Driver IC		
Packages:	K7	=	8-lead WDFN		
	MG	=	8-lead MSOP		
Environmental:	G	=	Lead (Pb)-free/RoHS-compliant Package		
Media Type:	(blank)	=	3300/Reel for a K7 Package 2500/Reel for an MG Package		

Examples:

a) HV857LK7-G: High-Voltage Low-Noise EL Lamp Driver IC, 8-lead WDFN Package, 3300/Reel

b) HV857LMG-G: High-Voltage Low-Noise EL Lamp Driver IC, 8-lead MSOP Package, 2500/Reel

Note the following details of the code protection feature on Microchip products:

- Microchip products meet the specifications contained in their particular Microchip Data Sheet.
- Microchip believes that its family of products is secure when used in the intended manner, within operating specifications, and under normal conditions.
- Microchip values and aggressively protects its intellectual property rights. Attempts to breach the code protection features of Microchip product is strictly prohibited and may violate the Digital Millennium Copyright Act.
- Neither Microchip nor any other semiconductor manufacturer can guarantee the security of its code. Code protection does not mean that we are guaranteeing the product is "unbreakable" Code protection is constantly evolving. Microchip is committed to continuously improving the code protection features of our products.

This publication and the information herein may be used only with Microchip products, including to design, test, and integrate Microchip products with your application. Use of this information in any other manner violates these terms. Information regarding device applications is provided only for your convenience and may be superseded by updates. It is your responsibility to ensure that your application meets with your specifications. Contact your local Microchip sales office for additional support or, obtain additional support at <https://www.microchip.com/en-us/support/design-help/client-support-services>.

THIS INFORMATION IS PROVIDED BY MICROCHIP "AS IS". MICROCHIP MAKES NO REPRESENTATIONS OR WARRANTIES OF ANY KIND WHETHER EXPRESS OR IMPLIED, WRITTEN OR ORAL, STATUTORY OR OTHERWISE, RELATED TO THE INFORMATION INCLUDING BUT NOT LIMITED TO ANY IMPLIED WARRANTIES OF NON-INFRINGEMENT, MERCHANTABILITY, AND FITNESS FOR A PARTICULAR PURPOSE, OR WARRANTIES RELATED TO ITS CONDITION, QUALITY, OR PERFORMANCE.

IN NO EVENT WILL MICROCHIP BE LIABLE FOR ANY INDIRECT, SPECIAL, PUNITIVE, INCIDENTAL, OR CONSEQUENTIAL LOSS, DAMAGE, COST, OR EXPENSE OF ANY KIND WHATSOEVER RELATED TO THE INFORMATION OR ITS USE, HOWEVER CAUSED, EVEN IF MICROCHIP HAS BEEN ADVISED OF THE POSSIBILITY OR THE DAMAGES ARE FORESEEABLE. TO THE FULLEST EXTENT ALLOWED BY LAW, MICROCHIP'S TOTAL LIABILITY ON ALL CLAIMS IN ANY WAY RELATED TO THE INFORMATION OR ITS USE WILL NOT EXCEED THE AMOUNT OF FEES, IF ANY, THAT YOU HAVE PAID DIRECTLY TO MICROCHIP FOR THE INFORMATION.

Use of Microchip devices in life support and/or safety applications is entirely at the buyer's risk, and the buyer agrees to defend, indemnify and hold harmless Microchip from any and all damages, claims, suits, or expenses resulting from such use. No licenses are conveyed, implicitly or otherwise, under any Microchip intellectual property rights unless otherwise stated.

For information regarding Microchip's Quality Management Systems, please visit www.microchip.com/quality.

Trademarks

The Microchip name and logo, the Microchip logo, Adaptec, AVR, AVR logo, AVR Freaks, BesTime, BitCloud, CryptoMemory, CryptoRF, dsPIC, flexPWR, HELDO, IGLOO, JukeBlox, KeeLoq, Kleer, LANCheck, LinkMD, maXStylus, maXTouch, MediaLB, megaAVR, Microsemi, Microsemi logo, MOST, MOST logo, MPLAB, OptoLyzer, PIC, picoPower, PICSTART, PIC32 logo, PolarFire, Prochip Designer, QTouch, SAM-BA, SenGenuity, SpyNIC, SST, SST Logo, SuperFlash, Symmetricom, SyncServer, Tachyon, TimeSource, tinyAVR, UNI/O, Vectron, and XMEGA are registered trademarks of Microchip Technology Incorporated in the U.S.A. and other countries.

AgileSwitch, ClockWorks, The Embedded Control Solutions Company, EtherSynch, Flashtec, Hyper Speed Control, HyperLight Load, Libero, motorBench, mTouch, Powermite 3, Precision Edge, ProASIC, ProASIC Plus, ProASIC Plus logo, Quiet-Wire, SmartFusion, SyncWorld, TimeCesium, TimeHub, TimePictra, TimeProvider, and ZL are registered trademarks of Microchip Technology Incorporated in the U.S.A.

Adjacent Key Suppression, AKS, Analog-for-the-Digital Age, Any Capacitor, AnyIn, AnyOut, Augmented Switching, BlueSky, BodyCom, Clockstudio, CodeGuard, CryptoAuthentication, CryptoAutomotive, CryptoCompanion, CryptoController, dsPICDEM, dsPICDEM.net, Dynamic Average Matching, DAM, ECAN, Espresso T1S, EtherGREEN, EyeOpen, GridTime, IdealBridge, IGaT, In-Circuit Serial Programming, ICSP, INICnet, Intelligent Paralleling, IntelliMOS, Inter-Chip Connectivity, JitterBlocker, Knob-on-Display, MarginLink, maxCrypto, maxView, memBrain, Mindi, MiWi, MPASM, MPF, MPLAB Certified logo, MPLIB, MPLINK, mSiC, MultiTRAK, NetDetach, Omniscient Code Generation, PICDEM, PICDEM.net, PICkit, PICtail, Power MOS IV, Power MOS 7, PowerSmart, PureSilicon, QMatrix, REAL ICE, Ripple Blocker, RTAX, RTG4, SAM-ICE, Serial Quad I/O, simpleMAP, SimpliPHY, SmartBuffer, SmartHLS, SMART-I.S., storClad, SQL, SuperSwitcher, SuperSwitcher II, Switchtec, SynchroPHY, Total Endurance, Trusted Time, TSHARC, Turing, USBCheck, VariSense, VectorBlox, VeriPHY, ViewSpan, WiperLock, XpressConnect, and ZENA are trademarks of Microchip Technology Incorporated in the U.S.A. and other countries.

SQTP is a service mark of Microchip Technology Incorporated in the U.S.A.

The Adaptec logo, Frequency on Demand, Silicon Storage Technology, and Symmcom are registered trademarks of Microchip Technology Inc. in other countries.

GestIC is a registered trademark of Microchip Technology Germany II GmbH & Co. KG, a subsidiary of Microchip Technology Inc., in other countries.

All other trademarks mentioned herein are property of their respective companies.

© 2023, Microchip Technology Incorporated and its subsidiaries.

All Rights Reserved.

ISBN: 978-1-6683-3116-3



MICROCHIP

Worldwide Sales and Service

AMERICAS

Corporate Office
2355 West Chandler Blvd.
Chandler, AZ 85224-6199
Tel: 480-792-7200
Fax: 480-792-7277
Technical Support:
<http://www.microchip.com/support>
Web Address:
www.microchip.com

Atlanta
Duluth, GA
Tel: 678-957-9614
Fax: 678-957-1455

Austin, TX
Tel: 512-257-3370

Boston
Westborough, MA
Tel: 774-760-0087
Fax: 774-760-0088

Chicago
Itasca, IL
Tel: 630-285-0071
Fax: 630-285-0075

Dallas
Addison, TX
Tel: 972-818-7423
Fax: 972-818-2924

Detroit
Novi, MI
Tel: 248-848-4000

Houston, TX
Tel: 281-894-5983

Indianapolis
Noblesville, IN
Tel: 317-773-8323
Fax: 317-773-5453
Tel: 317-536-2380

Los Angeles
Mission Viejo, CA
Tel: 949-462-9523
Fax: 949-462-9608
Tel: 951-273-7800

Raleigh, NC
Tel: 919-844-7510

New York, NY
Tel: 631-435-6000

San Jose, CA
Tel: 408-735-9110
Tel: 408-436-4270

Canada - Toronto
Tel: 905-695-1980
Fax: 905-695-2078

ASIA/PACIFIC

Australia - Sydney
Tel: 61-2-9868-6733

China - Beijing
Tel: 86-10-8569-7000

China - Chengdu
Tel: 86-28-8665-5511

China - Chongqing
Tel: 86-23-8980-9588

China - Dongguan
Tel: 86-769-8702-9880

China - Guangzhou
Tel: 86-20-8755-8029

China - Hangzhou
Tel: 86-571-8792-8115

China - Hong Kong SAR
Tel: 852-2943-5100

China - Nanjing
Tel: 86-25-8473-2460

China - Qingdao
Tel: 86-532-8502-7355

China - Shanghai
Tel: 86-21-3326-8000

China - Shenyang
Tel: 86-24-2334-2829

China - Shenzhen
Tel: 86-755-8864-2200

China - Suzhou
Tel: 86-186-6233-1526

China - Wuhan
Tel: 86-27-5980-5300

China - Xian
Tel: 86-29-8833-7252

China - Xiamen
Tel: 86-592-2388138

China - Zhuhai
Tel: 86-756-3210040

ASIA/PACIFIC

India - Bangalore
Tel: 91-80-3090-4444

India - New Delhi
Tel: 91-11-4160-8631

India - Pune
Tel: 91-20-4121-0141

Japan - Osaka
Tel: 81-6-6152-7160

Japan - Tokyo
Tel: 81-3-6880-3770

Korea - Daegu
Tel: 82-53-744-4301

Korea - Seoul
Tel: 82-2-554-7200

Malaysia - Kuala Lumpur
Tel: 60-3-7651-7906

Malaysia - Penang
Tel: 60-4-227-8870

Philippines - Manila
Tel: 63-2-634-9065

Singapore
Tel: 65-6334-8870

Taiwan - Hsin Chu
Tel: 886-3-577-8366

Taiwan - Kaohsiung
Tel: 886-7-213-7830

Taiwan - Taipei
Tel: 886-2-2508-8600

Thailand - Bangkok
Tel: 66-2-694-1351

Vietnam - Ho Chi Minh
Tel: 84-28-5448-2100

EUROPE

Austria - Wels
Tel: 43-7242-2244-39
Fax: 43-7242-2244-393

Denmark - Copenhagen
Tel: 45-4485-5910
Fax: 45-4485-2829

Finland - Espoo
Tel: 358-9-4520-820

France - Paris
Tel: 33-1-69-53-63-20
Fax: 33-1-69-30-90-79

Germany - Garching
Tel: 49-8931-9700

Germany - Haan
Tel: 49-2129-3766400

Germany - Heilbronn
Tel: 49-7131-72400

Germany - Karlsruhe
Tel: 49-721-625370

Germany - Munich
Tel: 49-89-627-144-0
Fax: 49-89-627-144-44

Germany - Rosenheim
Tel: 49-8031-354-560

Israel - Ra'anana
Tel: 972-9-744-7705

Italy - Milan
Tel: 39-0331-742611
Fax: 39-0331-466781

Italy - Padova
Tel: 39-049-7625286

Netherlands - Drunen
Tel: 31-416-690399
Fax: 31-416-690340

Norway - Trondheim
Tel: 47-7288-4388

Poland - Warsaw
Tel: 48-22-3325737

Romania - Bucharest
Tel: 40-21-407-87-50

Spain - Madrid
Tel: 34-91-708-08-90
Fax: 34-91-708-08-91

Sweden - Gothenberg
Tel: 46-31-704-60-40

Sweden - Stockholm
Tel: 46-8-5090-4654

UK - Wokingham
Tel: 44-118-921-5800
Fax: 44-118-921-5820