

## High Voltage RF Power Capacitors Class 1 Ceramic

Plate Type



Finger Terminal Type



QUICK REFERENCE DATA		
DESCRIPTION	VALUE	
Ceramic Class	1	
Ceramic Dielectric	N750	
Part Number	HVCHF81	HVCHFPE
Voltage ( $V_p$ )	30 000	
Min. Capacitance (pF)	50	400
Max. Capacitance (pF)	6000	6000
Mounting	Screw terminal	

### MATERIAL

Capacitor elements made from Class 1 ceramic dielectric with noble metal electrodes.

Flexible connection terminals copper/brass, silver plated, to allow for series and parallel interconnection

### FINISH

Noble metal electrodes and terminals protective lacquered. The contoured insulating rim is additionally glazed

### FEATURES

- Low losses
- High reliability
- High voltage ratings

### APPLICATIONS

These high technology are designed for usage in high frequency heating and welding equipment where high voltage ratings are required.

### CAPACITANCE RANGE

50 pF to 6000 pF

### CAPACITANCE TOLERANCE

$\pm 20 \%$ ,  $\pm 10 \%$

### CERAMIC DIELECTRIC

N750: ( - 750 ppm/°C)

### RATED VOLTAGE

3.3 to 30 kV<sub>p</sub> (= RF peak voltage + DC voltage)

### DIELECTRIC STRENGTH TEST

$U_R \leq 15KV$  : 200% of  $U_R$

$U_R > 15KV$  : 150% of  $U_R$

### DISSIPATION FACTOR

Max. 0.006 %

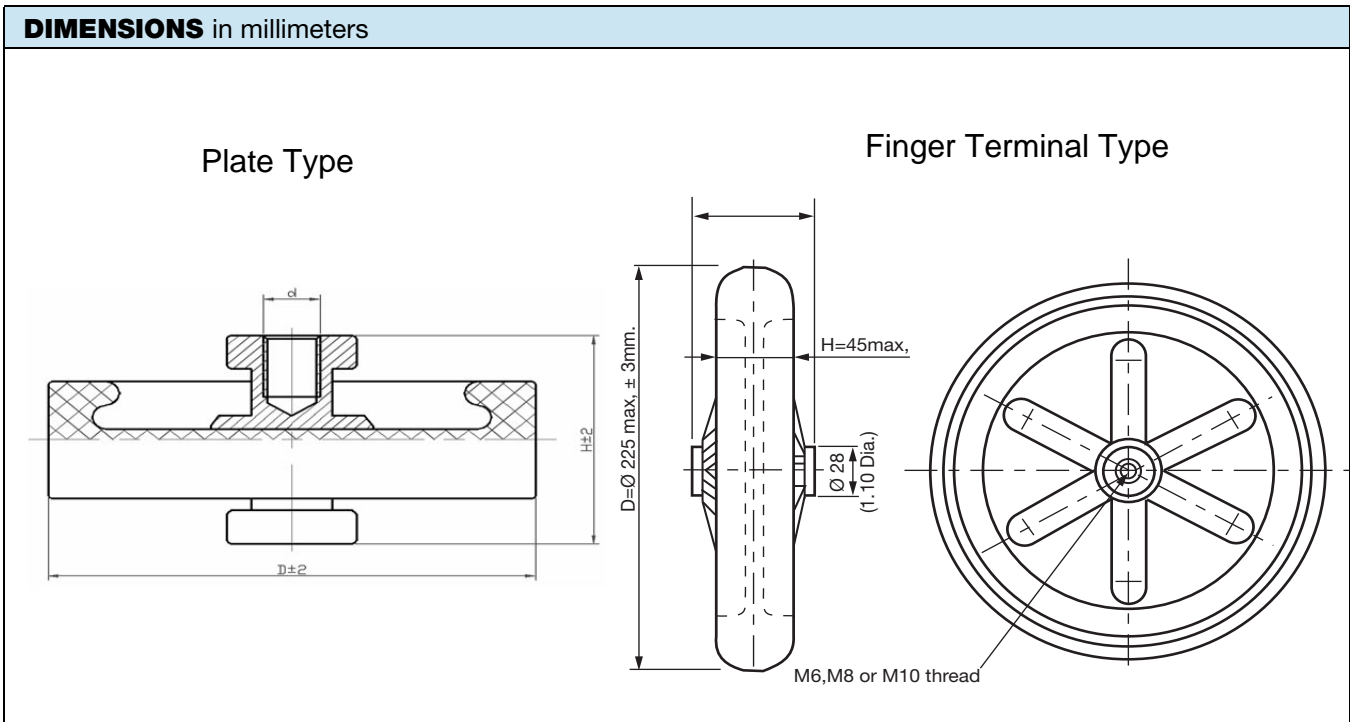
### INSULATION RESISTANCE

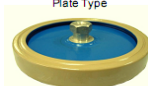
Min. 10 000 M $\Omega$  (at 25 °C)

### OPERATING TEMPERATURE RANGE

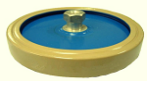
- 40 °C to + 85 °C

## High Voltage RF Power Capacitors




Part Number 	Cap.(PF)		Rated Voltage(KV)		Reactive Power (KVA)	Dissipation Factor	Insulation Resistance		Dimensions (mm)		
	Value	Tol.	DC Voltage	H.F Voltage (rms)			<=	>=	D	H	d
HVCHF81-A-50P-15	50	±10%	15	12	10	0.006%	10000MΩ	45	55	M6	
HVCHF81-A101-12	100	±10%	12	10	18	0.006%	10000MΩ	60	39	M6	
HVCHF81-A151-12	150	±10%	12	10	12	0.006%	10000MΩ	60	38	M6	
HVCHF81-A201-8	200	±10%	8	5	12	0.006%	10000MΩ	60	34	M6	
HVCHF81-A301-12	300	±10%	12	10	8	0.006%	10000MΩ	60	33	M6	
HVCHF81-A401-7	400	±10%	7	5	8	0.006%	10000MΩ	60	32	M6	
HVCHF81-A451-7	450	±10%	7	5	8	0.006%	10000MΩ	60	31	M6	
HVCHF81-A501-10	500	±10%	10	8	8	0.006%	10000MΩ	60	31	M6	
HVCHF81-B101-13	100	±10%	13	10	15	0.006%	10000MΩ	80	39	M6	
HVCHF81-B202-15	200	±10%	15	12	25	0.006%	10000MΩ	80	37	M6	
HVCHF81-B301-15	300	±10%	15	12	30	0.006%	10000MΩ	80	35	M6	
HVCHF81-B501-15	500	±10%	15	12	15	0.006%	10000MΩ	80	34	M6	
HVCHF81-B901-7	900	±10%	7	5	15	0.006%	10000MΩ	80	33	M6	
HVCHF81-B102-7	1000	±10%	7	5	15	0.006%	10000MΩ	80	32	M6	
HVCHF81-B152-10	1500	±10%	10	8	20	0.006%	10000MΩ	90	31	M6	
HVCHF81-C301-25	300	±10%	25	20	90	0.006%	10000MΩ	110	54	M8	
HVCHF81-C401-25	400	±10%	25	20	90	0.006%	10000MΩ	110	53	M8	

## High Voltage RF Power Capacitors

Part Number <small>Plate Type</small> 	Cap.(pF)		Rated Voltage(KV)		Reactive Power (KVA)	Dissipation Factor <=	Insulation Resistance >=	Dimensions (mm)		
	Value	Tol.	DC Voltage	H.F Voltage				D	H	d
				(rms)						
HVCHF81-C-501-15	500	±10%	15	12	90	0.006%	10000MΩ	110	48	M8
HVCHF81-C-102-10	1000	±10%	10	8	30	0.006%	10000MΩ	110	46	M8
HVCHF81-C-152-7	1500	±10%	7	4	30	0.006%	10000MΩ	110	44	M8
HVCHF81-C-252-3.3	2500	±10%	3.3	3	30	0.006%	10000MΩ	110	43	M8
HVCHF81-D-501-25	500	±10%	25	20	90	0.006%	10000MΩ	140	50	M8
HVCHF81-D-801-25	800	±10%	25	20	90	0.006%	10000MΩ	140	49	M8
HVCHF81-D-102-20	1000	±10%	20	15	100	0.006%	10000MΩ	140	50	M8
HVCHF81-D-152-15	1500	±10%	15	12	90	0.006%	10000MΩ	140	46	M8
HVCHF81-D-202-10	2000	±10%	10	8	90	0.006%	10000MΩ	140	45	M8
HVCHF81-E-501-25	500	±10%	25	20	120	0.006%	10000MΩ	150	51	M8
HVCHF81-E-152-21	1500	±10%	21	15	120	0.006%	10000MΩ	160	48	M8
HVCHF81-F-202-20	2000	±10%	20	15	130	0.006%	10000MΩ	160	46	M8
HVCHF81-F-252-10	2500	±10%	10	8	90	0.006%	10000MΩ	160	45	M8
HVCHF81-F-302-10	3000	±10%	10	8	90	0.006%	10000MΩ	160	44	M8
HVCHF81-G-102-30	1000	±10%	30	25	300	0.006%	10000MΩ	200	53	M10
HVCHF81-G-152-25	1500	±10%	25	20	250	0.006%	10000MΩ	200	50	M10
HVCHF81-G-252-20	2500	±10%	20	15	200	0.006%	10000MΩ	200	47	M10
HVCHF81-G-302-20	3000	±10%	20	15	200	0.006%	10000MΩ	200	47	M10
HVCHF81-G-502-13	5000	±10%	13	10	150	0.006%	10000MΩ	200	45	M10
HVCHF81-G-602-12	6000	±10%	12	10	150	0.006%	10000MΩ	200	45	M10

## High Voltage RF Power Capacitors

Part Number Finger Terminal Type 	Cap.(pF)		Rated Voltage(KV)		Reactive Power (KVA)	Dissipation Factor <=	Insulation Resistance >=	Dimensions (mm)		
	Value	Tol.	DC Voltage	Max. Current (A)				D	H	d
					HVCHFPE100-401-14	400	20%			
HVCHFPE100-501-14	500	20%	14	35	40	0.006%	10000MΩ	100	40	M8
HVCHFPE100-601-14	600	20%	14	35	40	0.006%	10000MΩ	100	40	M8
HVCHFPD100-801-14	800	20%	14	35	40	0.006%	10000MΩ	100	40	M8
HVCHFPD100-102-13	1000	20%	13	35	40	0.006%	10000MΩ	100	40	M8
HVCHFPD100-122-13	1200	20%	13	35	40	0.006%	10000MΩ	100	40	M8
HVCHFPD100-162-11	1600	20%	11	35	40	0.006%	10000MΩ	140	40	M8
HVCHFPE140-102-14	1000	20%	14	45	90	0.006%	10000MΩ	140	40	M8
HVCHFPE140-122-14	1200	20%	14	45	90	0.006%	10000MΩ	140	40	M8
HVCHFPE140-162-14	1600	20%	14	45	90	0.006%	10000MΩ	140	40	M8
HVCHFPD140-202-13	2000	20%	13	45	90	0.006%	10000MΩ	140	40	M8
HVCHFPD140-252-13	2500	20%	13	45	90	0.006%	10000MΩ	140	40	M8
HVCHFPD140-302-12	3000	20%	12	45	90	0.006%	10000MΩ	140	40	M8
HVCHFPE200-202-14	2000	20%	14	60	150	0.006%	10000MΩ	200	45	M10
HVCHFPE200-252-14	2500	20%	14	60	150	0.006%	10000MΩ	200	45	M10
HVCHFPE200-302-14	3000	20%	14	60	150	0.006%	10000MΩ	200	45	M10
HVCHFPD200-402-13	4000	20%	13	60	150	0.006%	10000MΩ	200	45	M10
HVCHFPD200-502-13	5000	20%	13	60	150	0.006%	10000MΩ	200	45	M10
HVCHFPD200-602-12	6000	20%	12	60	150	0.006%	10000MΩ	200	45	M10
HVCHFPEF220-202-20	2000	20%	20	60	140	0.006%	10000MΩ	225	45	M10
HVCHFPEF220-252-20	2500	20%	20	60	140	0.006%	10000MΩ	225	45	M10
HVCHFPEF220-302-17	3000	20%	17	60	140	0.006%	10000MΩ	225	45	M10
HVCHFPDF220-402-13	4000	20%	13	60	140	0.006%	10000MΩ	225	45	M10
HVCHFPDF220-502-13	5000	20%	13	60	140	0.006%	10000MΩ	225	45	M10
HVCHFPDF220-602-12	6000	20%	12	60	140	0.006%	10000MΩ	225	45	M10

Remark: HFDP for 3 Finger Terminals, HFPE for 6 Finger, HFPEF for 8 Finger Terminals.