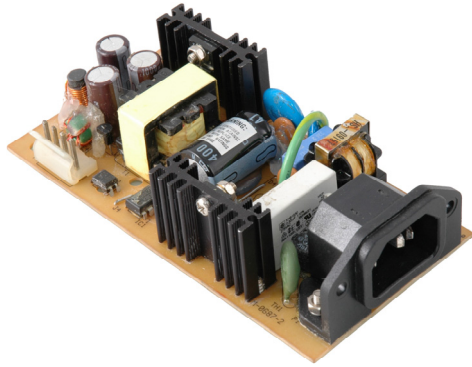


HiTRON

UNIVERSAL INPUT AC-DC PCB OPEN FRAME SINGLE OUTPUT 10-25 WATTS INTERNAL SWITCHING POWER SUPPLIES HVI20 SERIES



FEATURES:

- ACCOMMODATE UNIVERSAL AC SOURCES
- MEET UNIVERSAL SAFETY STANDARDS
- EMI MEET CISPR PUB. 22 & FCC CLASS B
- CE MARKING COMPLIANCE

SPECIFICATION

INPUT SPECIFICATION

Input Voltage: Range typ. 90-264Vac.

Rating 100-240Vac.

Input Connector: IEC320-3P DT7.

Input Frequency: 47-63Hz.

Inrush Current: Typ. 25A @ 230Vac.

Input Current: Typ. 0.47A @ 115Vac, 0.21A @ 230Vac.

Dielectric Withstand: Meet IEC 60950-1.

EMI: Meet CISPR PUB. 22 & FCC Class B.

Hold-up Time: Typ. 10.0mS @ 115Vac, 40.0mS@ 230Vac.

Earth Leakage: Less than 0.7mA @ 230Vac.

OUTPUT SPECIFICATION

Output Voltage: See Ratings Chart.

Output Current: See Ratings Chart.

Output Wattage: Typ. 20 Watts.

Output Connector: Molex 5273.

Line Regulation: Typ. 0.1%.

Load Regulation: Typ. $\pm 1.0\%$.

Noise & Ripple: Typ. 1.0% peak to peak.

OVP: Built-in at main VO1 only.

Adjustability: Not adjustable.

Overload Protection (OLP):

Fully protected against output overload and short circuit.

OLP set at about 125-150% rating output wattage.

Consult the factory for OLP setting.

GENERAL SPECIFICATION

Efficiency: Typ. 70-75%

Switching Frequency: 40K Hz.

Circuit Topology: Fixed Frequency Flyback circuit.

Transient Response: Output voltage returns in less than 3mS following a 25% load change.

Safety Standard: IEC 60950-1/UL 60950-1 Class I.

Operating Temperature: 0 to +50 °C.

Storage Temperature: -20 to +85 °C.

Temperature Coefficient: Typ. 0.04%/ °C.

Cooling: Free air convection.

Construction: PCB open frame format.

Power Density: 1.79Watts / Cubic Inch.

Note: Due to requests in market and advances in technology, specifications subject to change without notification.



For the details of safety approval, please consult the factory.

OUTPUT VOLTAGE / CURRENT RATINGS CHART

SINGLE OUTPUT

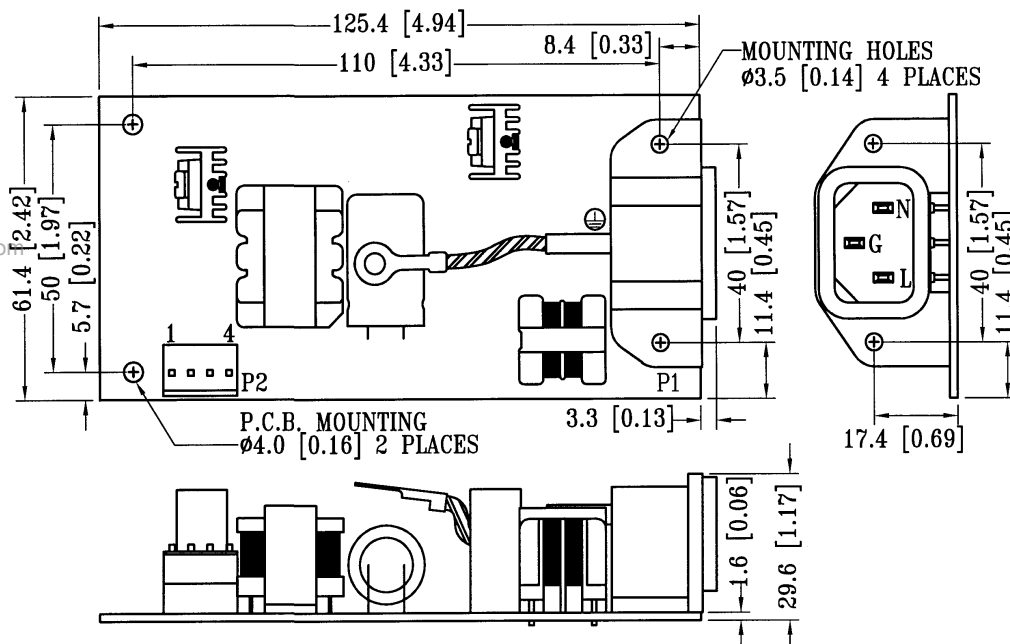
MODEL NO	MAIN VO1★		
	Typ.	Volt.	Peak
HVI20-10A	2.0A	5V	2.5A
HVI20-10B	3.0A	5V	3.5A
HVI20-10C	4.0A	5V	4.5A
HVI20-10D	5.0A	5V	5.5A

Symbol: "★" OVP built-in.

Remark: (1) At least 20% of typical main output current is required to maintain stated regulation.
 (2) Peak output, less than 60 Sec. with 10% duty cycle.

MECHANICAL DIMENSIONS: MM [INCHES]

WEIGHT: 132.5g (4.7 Oz.)



INPUT & OUTPUT CONNECTORS PIN ASSIGNMENT

ASSIGNMENT CONNECTOR & PIN #	AC INPUT			SINGLE OUTPUT	
	AC-LINE	AC-NEUTRAL	AC-GROUND	VO1	DC COM
	P1-L	P1-N	P1-G	P2-1,2	P2-3,4

Mating connector: P2 Molex 5195 or 5239 series.