

# Low-Power, Slew-Rate-Limited RS-485/RS-422 Transceivers

## General Description

The HWD481, HWD483, HWD485, HWD487–HWD491, and HWD1487 are low-power transceivers for RS-485 and RS-422 communication. Each part contains one driver and one receiver. The HWD483, HWD487, HWD488, and HWD489 feature reduced slew-rate drivers that minimize EMI and reduce reflections caused by improperly terminated cables, thus allowing error-free data transmission up to 250kbps. The driver slew rates of the HWD481, HWD485, HWD490, HWD491, and HWD1487 are not limited, allowing them to transmit up to 2.5Mbps.

These transceivers draw between 120 $\mu$ A and 500 $\mu$ A of supply current when unloaded or fully loaded with disabled drivers. Additionally, the HWD481, HWD483, and HWD487 have a low-current shutdown mode in which they consume only 0.1 $\mu$ A. All parts operate from a single 5V supply.

Drivers are short-circuit current limited and are protected against excessive power dissipation by thermal shutdown circuitry that places the driver outputs into a high-impedance state. The receiver input has a fail-safe feature that guarantees a logic-high output if the input is open circuit.

The HWD487 and HWD1487 feature quarter-unit-load receiver input impedance, allowing up to 128 HWD487/HWD1487 transceivers on the bus. Full-duplex communications are obtained using the HWD488–HWD491, while the HWD481, HWD483, HWD485, HWD487, and HWD1487 are designed for half-duplex applications.

## Applications

Low-Power RS-485 Transceivers  
 Low-Power RS-422 Transceivers  
 Level Translators  
 Transceivers for EMI-Sensitive Applications  
 Industrial-Control Local Area Networks

## Next Generation Device Features

- ◆ **For Fault-Tolerant Applications**  
**HWD3430:  $\pm$ 80V Fault-Protected, Fail-Safe, 1/4 Unit Load, +3.3V, RS-485 Transceiver**  
**HWD3440E–HWD3444E:  $\pm$ 15kV ESD-Protected,  $\pm$ 60V Fault-Protected, 10Mbps, Fail-Safe, RS-485/J1708 Transceivers**
- ◆ **For Space-Constrained Applications**  
**HWD3460–HWD3464: +5V, Fail-Safe, 20Mbps, Profibus RS-485/RS-422 Transceivers**  
**HWD3362: +3.3V, High-Speed, RS-485/RS-422 Transceiver in a SOT23 Package**  
**HWD3280E–HWD3284E:  $\pm$ 15kV ESD-Protected, 52Mbps, +3V to +5.5V, SOT23, RS-485/RS-422, True Fail-Safe Receivers**  
**HWD3293/HWD3294/HWD3295: 20Mbps, +3.3V, SOT23, RS-855/RS-422 Transmitters**
- ◆ **For Multiple Transceiver Applications**  
**HWD3030E–HWD3033E:  $\pm$ 15kV ESD-Protected, +3.3V, Quad RS-422 Transmitters**
- ◆ **For Fail-Safe Applications**  
**HWD3080–HWD3089: Fail-Safe, High-Speed (10Mbps), Slew-Rate-Limited RS-485/RS-422 Transceivers**
- ◆ **For Low-Voltage Applications**  
**HWD3483E/HWD3485E/HWD3486E/HWD3488E/HWD3490E/HWD3491E: +3.3V Powered,  $\pm$ 15kV ESD-Protected, 12Mbps, Slew-Rate-Limited, True RS-485/RS-422 Transceivers**

Ordering Information appears at end of data sheet.

## Selection Table

PART NUMBER	HALF/FULL DUPLEX	DATA RATE (Mbps)	SLEW-RATE LIMITED	LOW-POWER SHUTDOWN	RECEIVER/DRIVER ENABLE	QUIESCENT CURRENT ( $\mu$ A)	NUMBER OF TRANSMITTERS ON BUS	PIN COUNT
HWD481	Half	2.5	No	Yes	Yes	300	32	8
HWD483	Half	0.25	Yes	Yes	Yes	120	32	8
HWD485	Half	2.5	No	No	Yes	300	32	8
HWD487	Half	0.25	Yes	Yes	Yes	120	128	8
HWD488	Full	0.25	Yes	No	No	120	32	8
HWD489	Full	0.25	Yes	No	Yes	120	32	14
HWD490	Full	2.5	No	No	No	300	32	8
HWD491	Full	2.5	No	No	Yes	300	32	14
HWD1487	Half	2.5	No	No	Yes	230	128	8

# Low-Power, Slew-Rate-Limited RS-485/RS-422 Transceivers

## ABSOLUTE MAXIMUM RATINGS

Supply Voltage ( $V_{CC}$ ).....	12V	14-Pin SO (derate 8.33mW/°C above +70°C).....	667mW
Control Input Voltage ( $\overline{RE}$ , DE).....	-0.5V to ( $V_{CC} + 0.5V$ )	8-Pin $\mu$ MAX (derate 4.1mW/°C above +70°C).....	830mW
Driver Input Voltage (DI).....	-0.5V to ( $V_{CC} + 0.5V$ )	8-Pin CERDIP (derate 8.00mW/°C above +70°C).....	640mW
Driver Output Voltage (A, B).....	-8V to +12.5V	14-Pin CERDIP (derate 9.09mW/°C above +70°C).....	727mW
Receiver Input Voltage (A, B).....	-8V to +12.5V	Operating Temperature Ranges	
Receiver Output Voltage (RO).....	-0.5V to ( $V_{CC} + 0.5V$ )	HWD4__C_/HWD1487C_A.....	0°C to +70°C
Continuous Power Dissipation ( $T_A = +70^\circ\text{C}$ )		HWD4__E_/HWD1487E_A.....	-40°C to +85°C
8-Pin Plastic DIP (derate 9.09mW/°C above +70°C) ....	727mW	HWD4__MJ_/HWD1487MJA.....	-55°C to +125°C
14-Pin Plastic DIP (derate 10.00mW/°C above +70°C) ..	800mW	Storage Temperature Range.....	-65°C to +160°C
8-Pin SO (derate 5.88mW/°C above +70°C).....	471mW	Lead Temperature (soldering, 10sec).....	+300°C

## DC ELECTRICAL CHARACTERISTICS

( $V_{CC} = 5V \pm 5\%$ ,  $T_A = T_{MIN}$  to  $T_{MAX}$ , unless otherwise noted.) (Notes 1, 2)

PARAMETER	SYMBOL	CONDITIONS	MIN	TYP	MAX	UNITS
Differential Driver Output (no load)	$V_{OD1}$				5	V
Differential Driver Output (with load)	$V_{OD2}$	$R = 50\Omega$ (RS-422)	2			V
		$R = 27\Omega$ (RS-485), Figure 4	1.5		5	
Change in Magnitude of Driver Differential Output Voltage for Complementary Output States	$\Delta V_{OD}$	$R = 27\Omega$ or $50\Omega$ , Figure 4			0.2	V
Driver Common-Mode Output Voltage	$V_{OC}$	$R = 27\Omega$ or $50\Omega$ , Figure 4			3	V
Change in Magnitude of Driver Common-Mode Output Voltage for Complementary Output States	$\Delta V_{OD}$	$R = 27\Omega$ or $50\Omega$ , Figure 4			0.2	V
Input High Voltage	$V_{IH}$	DE, DI, $\overline{RE}$	2.0			V
Input Low Voltage	$V_{IL}$	DE, DI, $\overline{RE}$			0.8	V
Input Current	$I_{IN1}$	DE, DI, $\overline{RE}$			$\pm 2$	$\mu\text{A}$
Input Current (A, B)	$I_{IN2}$	DE = 0V; $V_{CC} = 0V$ or 5.25V, all devices except HWD487/HWD1487	$V_{IN} = 12V$		1.0	mA
			$V_{IN} = -7V$		-0.8	
	HWD487/HWD1487, DE = 0V, $V_{CC} = 0V$ or 5.25V	$V_{IN} = 12V$		0.25	mA	
		$V_{IN} = -7V$		-0.2		
Receiver Differential Threshold Voltage	$V_{TH}$	$-7V \leq V_{CM} \leq 12V$	-0.2		0.2	V
Receiver Input Hysteresis	$\Delta V_{TH}$	$V_{CM} = 0V$		70		mV
Receiver Output High Voltage	$V_{OH}$	$I_O = -4\text{mA}$ , $V_{ID} = 200\text{mV}$	3.5			V
Receiver Output Low Voltage	$V_{OL}$	$I_O = 4\text{mA}$ , $V_{ID} = -200\text{mV}$			0.4	V
Three-State (high impedance) Output Current at Receiver	$I_{OZR}$	$0.4V \leq V_O \leq 2.4V$			$\pm 1$	$\mu\text{A}$
Receiver Input Resistance	$R_{IN}$	$-7V \leq V_{CM} \leq 12V$ , all devices except HWD487/HWD1487	12			$k\Omega$
		$-7V \leq V_{CM} \leq 12V$ , HWD487/HWD1487	48			$k\Omega$

# Low-Power, Slew-Rate-Limited RS-485/RS-422 Transceivers

## DC ELECTRICAL CHARACTERISTICS (continued)

( $V_{CC} = 5V \pm 5\%$ ,  $T_A = T_{MIN}$  to  $T_{MAX}$ , unless otherwise noted.) (Notes 1, 2)

PARAMETER	SYMBOL	CONDITIONS	MIN	TYP	MAX	UNITS
No-Load Supply Current (Note 3)	I <sub>CC</sub>	HWD488/HWD489, DE, DI, $\overline{RE} = 0V$ or $V_{CC}$		120	250	μA
		HWD490/HWD491, DE, DI, $\overline{RE} = 0V$ or $V_{CC}$		300	500	
		HWD481/HWD485, $\overline{RE} = 0V$ or $V_{CC}$	DE = $V_{CC}$	500	900	
			DE = 0V	300	500	
		HWD1487, $\overline{RE} = 0V$ or $V_{CC}$	DE = $V_{CC}$	300	500	
			DE = 0V	230	400	
		HWD483/HWD487, $\overline{RE} = 0V$ or $V_{CC}$	DE = 5V	HWD483 HWD487	350 250	
DE = 0V			120	250		
Supply Current in Shutdown	I <sub>SHDN</sub>	HWD481/483/487, DE = 0V, $\overline{RE} = V_{CC}$		0.1	10	μA
Driver Short-Circuit Current, V <sub>O</sub> = High	I <sub>OSD1</sub>	-7V ≤ V <sub>O</sub> ≤ 12V (Note 4)	35		250	mA
Driver Short-Circuit Current, V <sub>O</sub> = Low	I <sub>OSD2</sub>	-7V ≤ V <sub>O</sub> ≤ 12V (Note 4)	35		250	mA
Receiver Short-Circuit Current	I <sub>OSR</sub>	0V ≤ V <sub>O</sub> ≤ V <sub>CC</sub>	7		95	mA

## SWITCHING CHARACTERISTICS—HWD481/HWD485, HWD490/HWD491, HWD1487

( $V_{CC} = 5V \pm 5\%$ ,  $T_A = T_{MIN}$  to  $T_{MAX}$ , unless otherwise noted.) (Notes 1, 2)

PARAMETER	SYMBOL	CONDITIONS	MIN	TYP	MAX	UNITS	
Driver Input to Output	t <sub>PLH</sub>	Figures 6 and 8, R <sub>DIFF</sub> = 54Ω, C <sub>L1</sub> = C <sub>L2</sub> = 100pF	10	30	60	ns	
	t <sub>PHL</sub>		10	30	60		
Driver Output Skew to Output	t <sub>SKEW</sub>	Figures 6 and 8, R <sub>DIFF</sub> = 54Ω, C <sub>L1</sub> = C <sub>L2</sub> = 100pF		5	10	ns	
Driver Rise or Fall Time	t <sub>R</sub> , t <sub>F</sub>	Figures 6 and 8, R <sub>DIFF</sub> = 54Ω, C <sub>L1</sub> = C <sub>L2</sub> = 100pF	HWD481, HWD485, HWD1487	3	15	40	ns
			HWD490C/E, HWD491C/E	5	15	25	
			HWD490M, HWD491M	3	15	40	
Driver Enable to Output High	t <sub>ZH</sub>	Figures 7 and 9, C <sub>L</sub> = 100pF, S2 closed		40	70	ns	
Driver Enable to Output Low	t <sub>ZL</sub>	Figures 7 and 9, C <sub>L</sub> = 100pF, S1 closed		40	70	ns	
Driver Disable Time from Low	t <sub>LZ</sub>	Figures 7 and 9, C <sub>L</sub> = 15pF, S1 closed		40	70	ns	
Driver Disable Time from High	t <sub>HZ</sub>	Figures 7 and 9, C <sub>L</sub> = 15pF, S2 closed		40	70	ns	
Receiver Input to Output	t <sub>PLH</sub> , t <sub>PHL</sub>	Figures 6 and 10, R <sub>DIFF</sub> = 54Ω, C <sub>L1</sub> = C <sub>L2</sub> = 100pF	HWD481, HWD485, HWD1487	20	90	200	ns
			HWD490C/E, HWD491C/E	20	90	150	
			HWD490M, HWD491M	20	90	200	
t <sub>PLH</sub> - t <sub>PHL</sub>   Differential Receiver Skew	t <sub>SKD</sub>	Figures 6 and 10, R <sub>DIFF</sub> = 54Ω, C <sub>L1</sub> = C <sub>L2</sub> = 100pF		13		ns	
Receiver Enable to Output Low	t <sub>ZL</sub>	Figures 5 and 11, C <sub>R</sub> L = 15pF, S1 closed		20	50	ns	
Receiver Enable to Output High	t <sub>ZH</sub>	Figures 5 and 11, C <sub>R</sub> L = 15pF, S2 closed		20	50	ns	
Receiver Disable Time from Low	t <sub>LZ</sub>	Figures 5 and 11, C <sub>R</sub> L = 15pF, S1 closed		20	50	ns	
Receiver Disable Time from High	t <sub>HZ</sub>	Figures 5 and 11, C <sub>R</sub> L = 15pF, S2 closed		20	50	ns	
Maximum Data Rate	f <sub>MAX</sub>		2.5			Mbps	
Time to Shutdown	t <sub>SHDN</sub>	HWD481 (Note 5)	50	200	600	ns	

# Low-Power, Slew-Rate-Limited RS-485/RS-422 Transceivers

## SWITCHING CHARACTERISTICS—HWD481/HWD485, HWD490/HWD491, HWD1487 (continued)

( $V_{CC} = 5V \pm 5\%$ ,  $T_A = T_{MIN}$  to  $T_{MAX}$ , unless otherwise noted.) (Notes 1, 2)

PARAMETER	SYMBOL	CONDITIONS	MIN	TYP	MAX	UNITS
Driver Enable from Shutdown to Output High (HWD481)	t <sub>ZH(SHDN)</sub>	Figures 7 and 9, C <sub>L</sub> = 100pF, S2 closed		40	100	ns
Driver Enable from Shutdown to Output Low (HWD481)	t <sub>ZL(SHDN)</sub>	Figures 7 and 9, C <sub>L</sub> = 100pF, S1 closed		40	100	ns
Receiver Enable from Shutdown to Output High (HWD481)	t <sub>ZH(SHDN)</sub>	Figures 5 and 11, C <sub>L</sub> = 15pF, S2 closed, A - B = 2V		300	1000	ns
Receiver Enable from Shutdown to Output Low (HWD481)	t <sub>ZL(SHDN)</sub>	Figures 5 and 11, C <sub>L</sub> = 15pF, S1 closed, B - A = 2V		300	1000	ns

## SWITCHING CHARACTERISTICS—HWD483, HWD487/HWD488/HWD489

( $V_{CC} = 5V \pm 5\%$ ,  $T_A = T_{MIN}$  to  $T_{MAX}$ , unless otherwise noted.) (Notes 1, 2)

PARAMETER	SYMBOL	CONDITIONS	MIN	TYP	MAX	UNITS
Driver Input to Output	t <sub>PLH</sub>	Figures 6 and 8, R <sub>DIFF</sub> = 54Ω, C <sub>L1</sub> = C <sub>L2</sub> = 100pF	250	800	2000	ns
	t <sub>PHL</sub>		250	800	2000	
Driver Output Skew to Output	t <sub>SKEW</sub>	Figures 6 and 8, R <sub>DIFF</sub> = 54Ω, C <sub>L1</sub> = C <sub>L2</sub> = 100pF		100	800	ns
Driver Rise or Fall Time	t <sub>R</sub> , t <sub>F</sub>	Figures 6 and 8, R <sub>DIFF</sub> = 54Ω, C <sub>L1</sub> = C <sub>L2</sub> = 100pF	250		2000	ns
Driver Enable to Output High	t <sub>ZH</sub>	Figures 7 and 9, C <sub>L</sub> = 100pF, S2 closed	250		2000	ns
Driver Enable to Output Low	t <sub>ZL</sub>	Figures 7 and 9, C <sub>L</sub> = 100pF, S1 closed	250		2000	ns
Driver Disable Time from Low	t <sub>LZ</sub>	Figures 7 and 9, C <sub>L</sub> = 15pF, S1 closed	300		3000	ns
Driver Disable Time from High	t <sub>HZ</sub>	Figures 7 and 9, C <sub>L</sub> = 15pF, S2 closed	300		3000	ns
Receiver Input to Output	t <sub>PLH</sub>	Figures 6 and 10, R <sub>DIFF</sub> = 54Ω, C <sub>L1</sub> = C <sub>L2</sub> = 100pF	250		2000	ns
	t <sub>PHL</sub>		250		2000	
t <sub>PLH</sub> - t <sub>PHL</sub>   Differential Receiver Skew	t <sub>SKD</sub>	Figures 6 and 10, R <sub>DIFF</sub> = 54Ω, C <sub>L1</sub> = C <sub>L2</sub> = 100pF		100		ns
Receiver Enable to Output Low	t <sub>ZL</sub>	Figures 5 and 11, C <sub>R</sub> L = 15pF, S1 closed		20	50	ns
Receiver Enable to Output High	t <sub>ZH</sub>	Figures 5 and 11, C <sub>R</sub> L = 15pF, S2 closed		20	50	ns
Receiver Disable Time from Low	t <sub>LZ</sub>	Figures 5 and 11, C <sub>R</sub> L = 15pF, S1 closed		20	50	ns
Receiver Disable Time from High	t <sub>HZ</sub>	Figures 5 and 11, C <sub>R</sub> L = 15pF, S2 closed		20	50	ns
Maximum Data Rate	f <sub>MAX</sub>	t <sub>PLH</sub> , t <sub>PHL</sub> < 50% of data period	250			kbps
Time to Shutdown	t <sub>SHDN</sub>	HWD483/HWD487 (Note 5)	50	200	600	ns
Driver Enable from Shutdown to Output High	t <sub>ZH(SHDN)</sub>	HWD483/HWD487, Figures 7 and 9, C <sub>L</sub> = 100pF, S2 closed			2000	ns
Driver Enable from Shutdown to Output Low	t <sub>ZL(SHDN)</sub>	HWD483/HWD487, Figures 7 and 9, C <sub>L</sub> = 100pF, S1 closed			2000	ns
Receiver Enable from Shutdown to Output High	t <sub>ZH(SHDN)</sub>	HWD483/HWD487, Figures 5 and 11, C <sub>L</sub> = 15pF, S2 closed			2500	ns
Receiver Enable from Shutdown to Output Low	t <sub>ZL(SHDN)</sub>	HWD483/HWD487, Figures 5 and 11, C <sub>L</sub> = 15pF, S1 closed			2500	ns

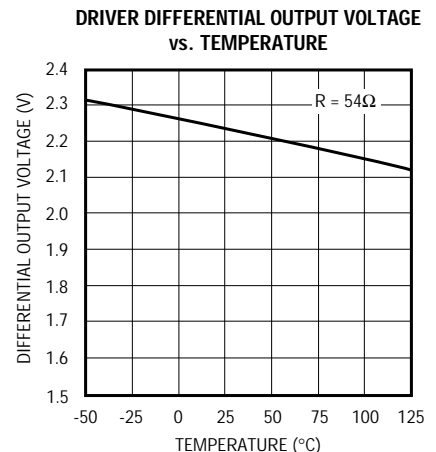
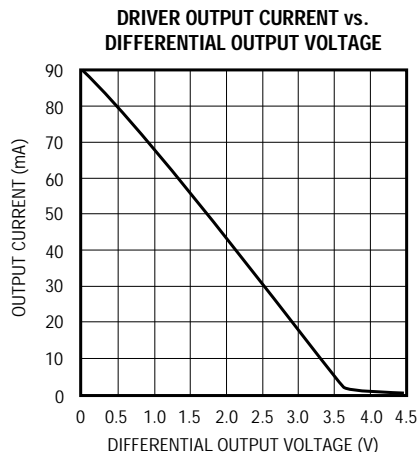
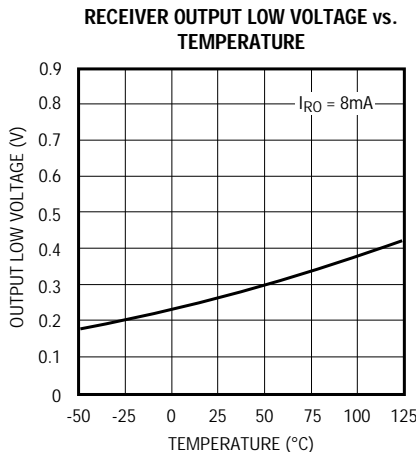
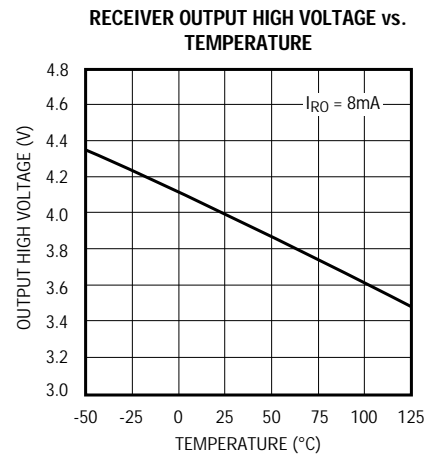
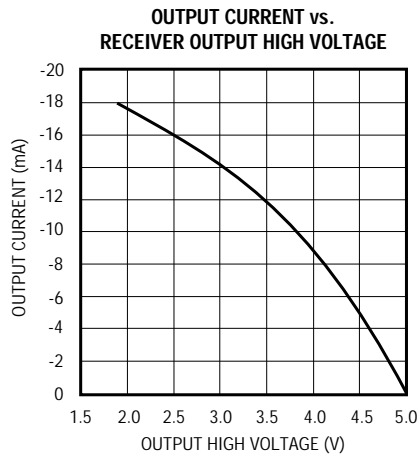
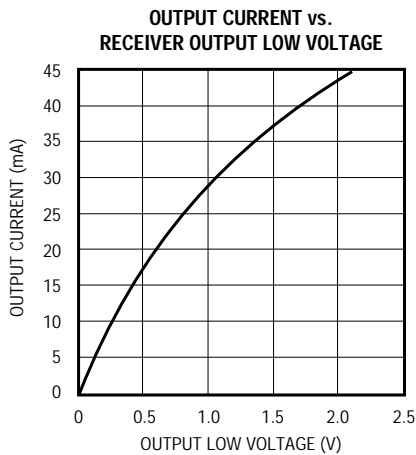
# Low-Power, Slew-Rate-Limited RS-485/RS-422 Transceivers

## NOTES FOR ELECTRICAL/SWITCHING CHARACTERISTICS

- Note 1:** All currents into device pins are positive; all currents out of device pins are negative. All voltages are referenced to device ground unless otherwise specified.
- Note 2:** All typical specifications are given for  $V_{CC} = 5V$  and  $T_A = +25^\circ C$ .
- Note 3:** Supply current specification is valid for loaded transmitters when  $DE = 0V$ .
- Note 4:** Applies to peak current. See *Typical Operating Characteristics*.
- Note 5:** The HWD481/HWD483/HWD487 are put into shutdown by bringing  $\overline{RE}$  high and DE low. If the inputs are in this state for less than 50ns, the parts are guaranteed not to enter shutdown. If the inputs are in this state for at least 600ns, the parts are guaranteed to have entered shutdown. See *Low-Power Shutdown Mode* section.

### Typical Operating Characteristics

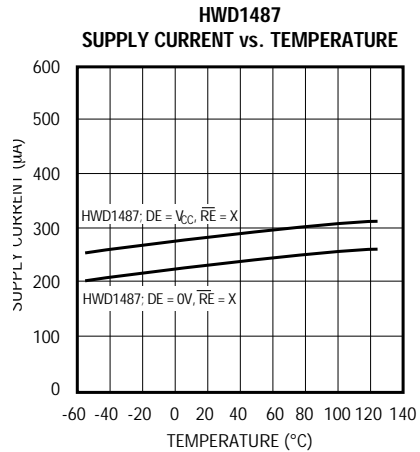
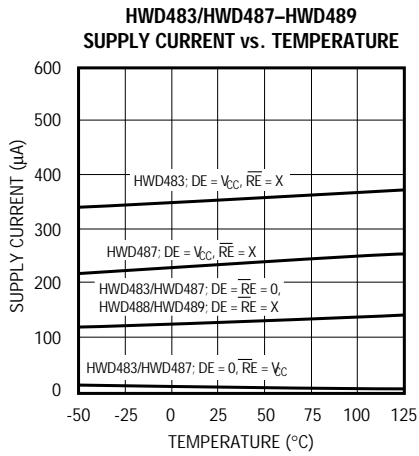
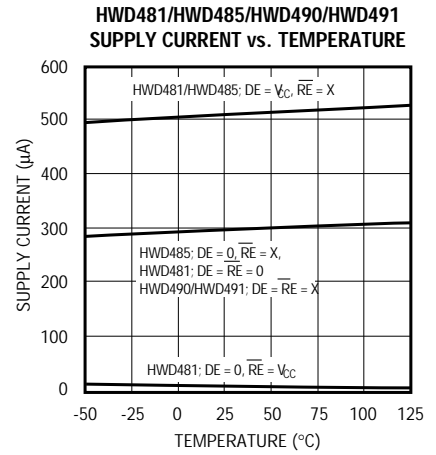
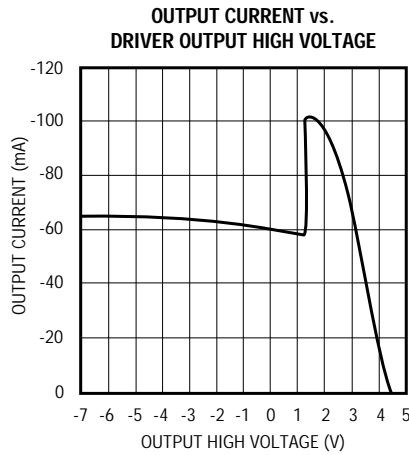
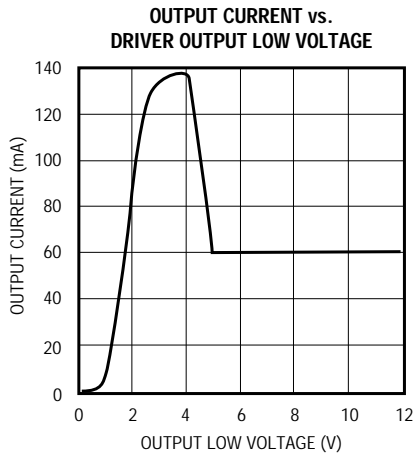
( $V_{CC} = 5V$ ,  $T_A = +25^\circ C$ , unless otherwise noted.)



# Low-Power, Slew-Rate-Limited RS-485/RS-422 Transceivers

## Typical Operating Characteristics (continued)

( $V_{CC} = 5V$ ,  $T_A = +25^\circ C$ , unless otherwise noted.)



# Low-Power, Slew-Rate-Limited RS-485/RS-422 Transceivers

## Pin Description

PIN					NAME	FUNCTION
HWD481/HWD483/ HWD485/HWD487/ HWD1487		HWD488/ HWD490		HWD489/ HWD491		
DIP/SO	$\mu$ MAX	DIP/SO	$\mu$ MAX	DIP/SO		
1	3	2	4	2	RO	Receiver Output: If $A > B$ by 200mV, RO will be high; If $A < B$ by 200mV, RO will be low.
2	4	—	—	3	$\overline{RE}$	Receiver Output Enable. RO is enabled when $\overline{RE}$ is low; RO is high impedance when $\overline{RE}$ is high.
3	5	—	—	4	DE	Driver Output Enable. The driver outputs, Y and Z, are enabled by bringing DE high. They are high impedance when DE is low. If the driver outputs are enabled, the parts function as line drivers. While they are high impedance, they function as line receivers if $\overline{RE}$ is low.
4	6	3	5	5	DI	Driver Input. A low on DI forces output Y low and output Z high. Similarly, a high on DI forces output Y high and output Z low.
5	7	4	6	6, 7	GND	Ground
—	—	5	7	9	Y	Noninverting Driver Output
—	—	6	8	10	Z	Inverting Driver Output
6	8	—	—	—	A	Noninverting Receiver Input and Noninverting Driver Output
—	—	8	2	12	A	Noninverting Receiver Input
7	1	—	—	—	B	Inverting Receiver Input and Inverting Driver Output
—	—	7	1	11	B	Inverting Receiver Input
8	2	1	3	14	V <sub>CC</sub>	Positive Supply: $4.75V \leq V_{CC} \leq 5.25V$
—	—	—	—	1, 8, 13	N.C.	No Connect—not internally connected

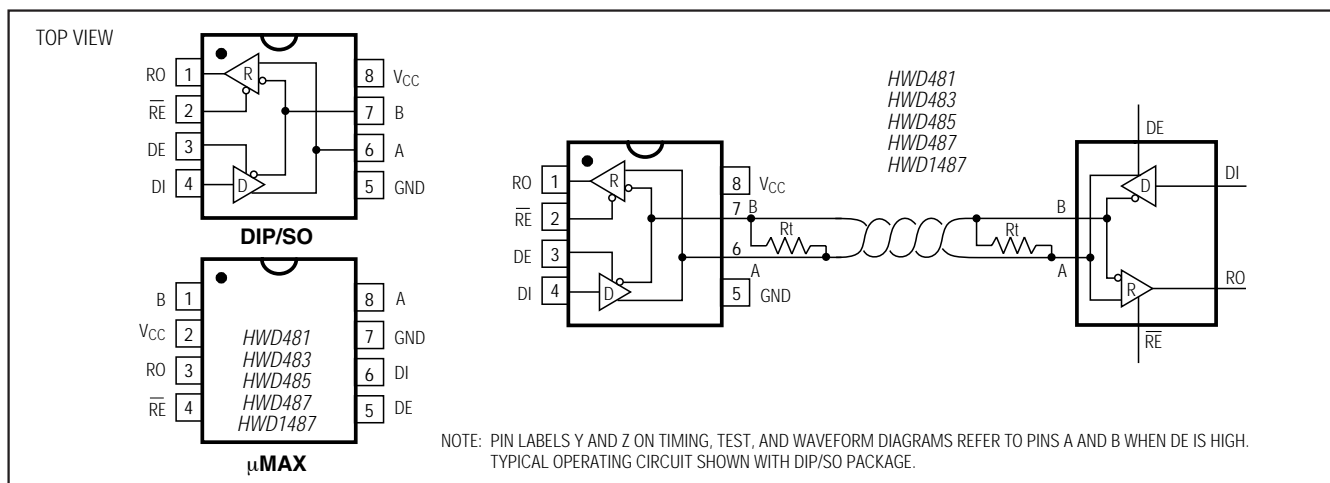


Figure 1. HWD481/HWD483/HWD485/HWD487/HWD1487 Pin Configuration and Typical Operating Circuit

## Low-Power, Slew-Rate-Limited RS-485/RS-422 Transceivers

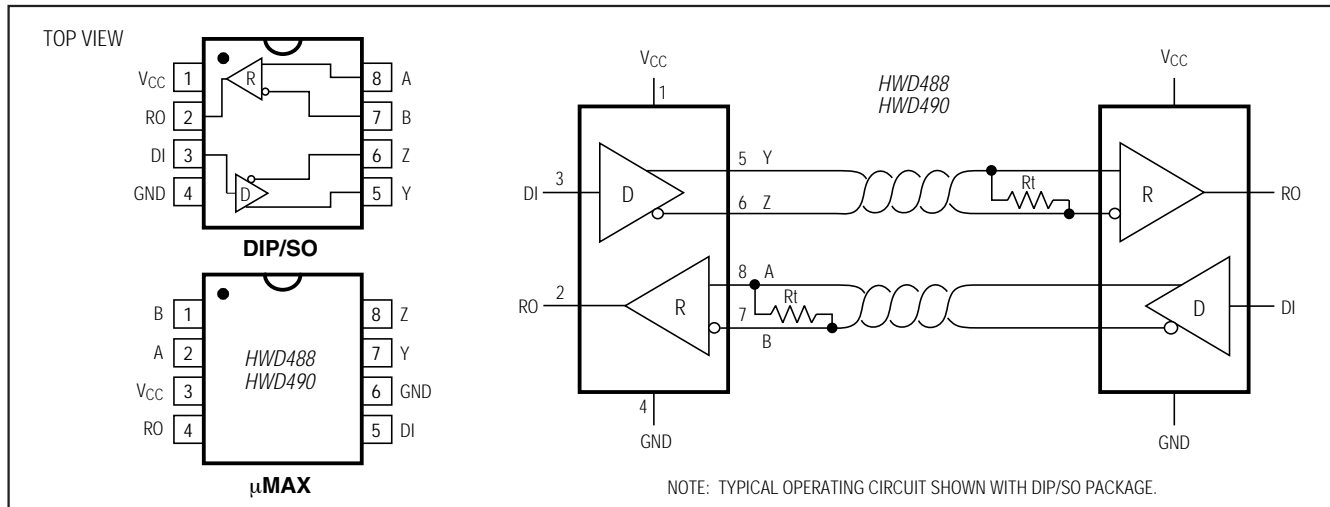


Figure 2. HWD488/HWD490 Pin Configuration and Typical Operating Circuit

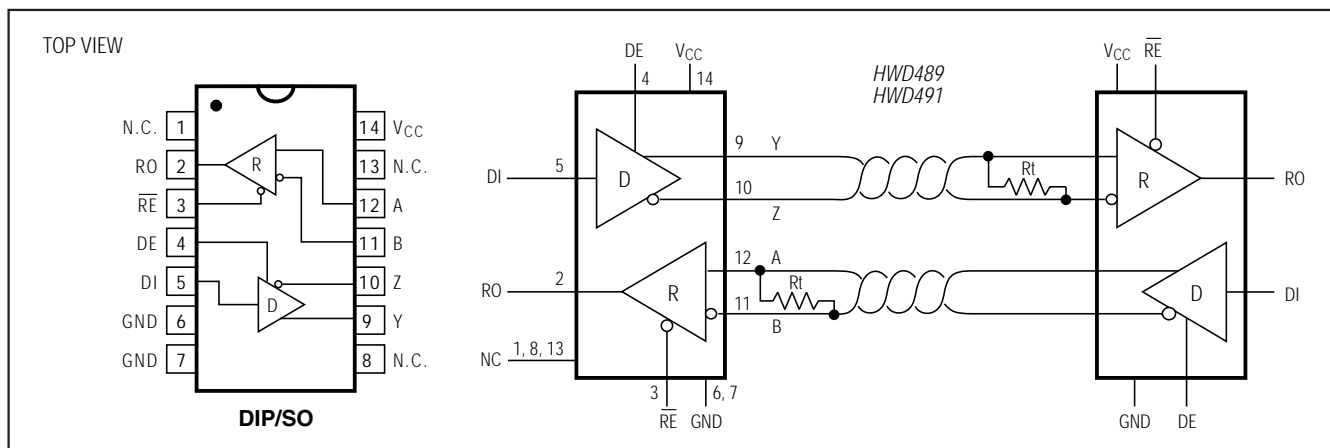


Figure 3. HWD489/HWD491 Pin Configuration and Typical Operating Circuit

### Applications Information

The HWD481/HWD483/HWD485/HWD487–HWD491 and HWD1487 are low-power transceivers for RS-485 and RS-422 communications. The HWD481, HWD485, HWD490, HWD491, and HWD1487 can transmit and receive at data rates up to 2.5Mbps, while the HWD483, HWD487, HWD488, and HWD489 are specified for data rates up to 250kbps. The HWD488–HWD491 are full-duplex transceivers while the HWD481, HWD483, HWD485, HWD487, and HWD1487 are half-duplex. In addition, Driver Enable (DE) and Receiver Enable ( $\overline{RE}$ ) pins are included on the HWD481, HWD483, HWD485, HWD487, HWD489, HWD491, and HWD1487. When disabled, the driver and receiver outputs are high impedance.

### HWD487/HWD1487: 128 Transceivers on the Bus

The 48k $\Omega$ , 1/4-unit-load receiver input impedance of the HWD487 and HWD1487 allows up to 128 transceivers on a bus, compared to the 1-unit load (12k $\Omega$  input impedance) of standard RS-485 drivers (32 transceivers maximum). Any combination of HWD487/HWD1487 and other RS-485 transceivers with a total of 32 unit loads or less can be put on the bus. The HWD481/HWD483/HWD485 and HWD488–HWD491 have standard 12k $\Omega$  Receiver Input impedance.



# Low-Power, Slew-Rate-Limited RS-485/RS-422 Transceivers

## Test Circuits

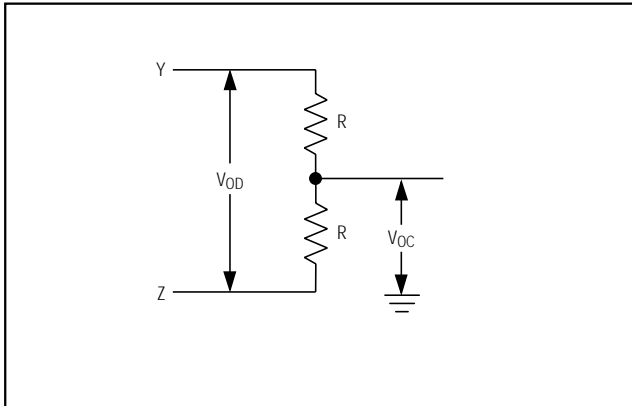


Figure 4. Driver DC Test Load

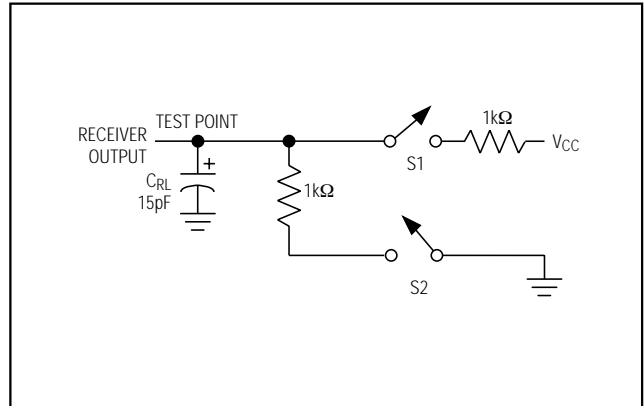


Figure 5. Receiver Timing Test Load

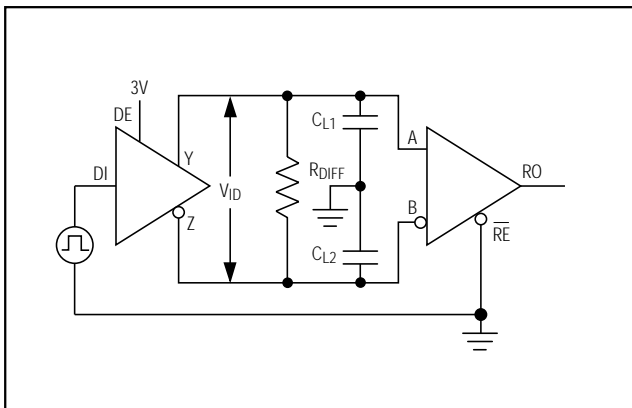


Figure 6. Driver/Receiver Timing Test Circuit

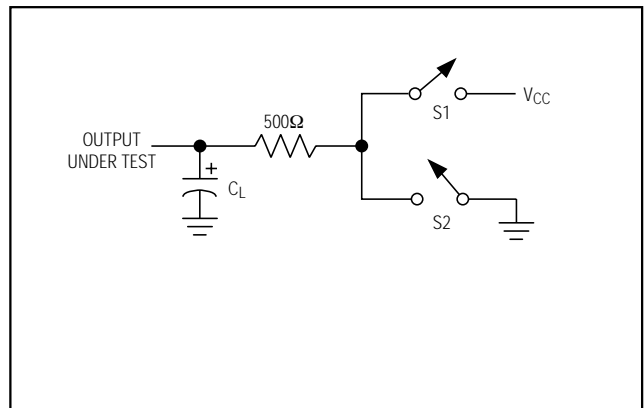


Figure 7. Driver Timing Test Load

### HWD483/HWD487/HWD488/HWD489:

#### Reduced EMI and Reflections

The HWD483 and HWD487–HWD489 are slew-rate limited, minimizing EMI and reducing reflections caused by improperly terminated cables. Figure 12 shows the driver output waveform and its Fourier analysis of a 150kHz signal transmitted by a HWD481, HWD485, HWD490, HWD491, or HWD1487. High-frequency har-

monics with large amplitudes are evident. Figure 13 shows the same information displayed for a HWD483, HWD487, HWD488, or HWD489 transmitting under the same conditions. Figure 13's high-frequency harmonics have much lower amplitudes, and the potential for EMI is significantly reduced.

# Low-Power, Slew-Rate-Limited RS-485/RS-422 Transceivers

## Switching Waveforms

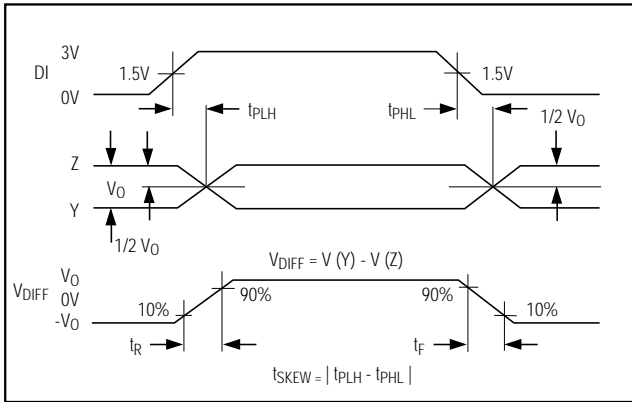


Figure 8. Driver Propagation Delays

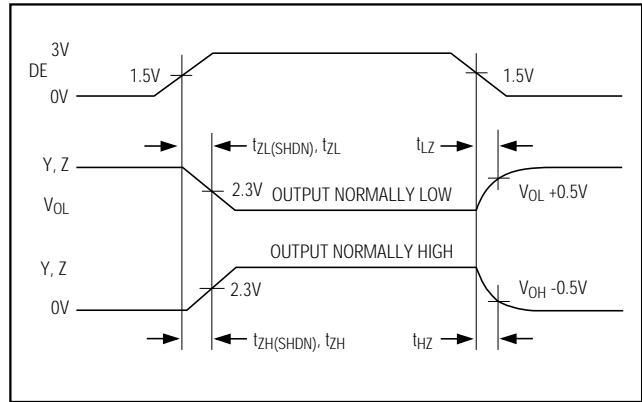


Figure 9. Driver Enable and Disable Times (except HWD488 and HWD490)

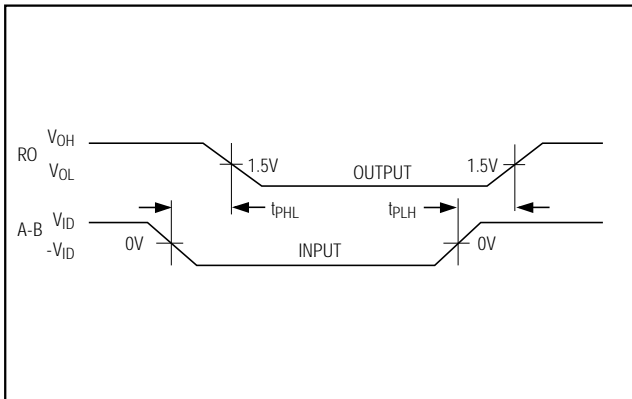


Figure 10. Receiver Propagation Delays

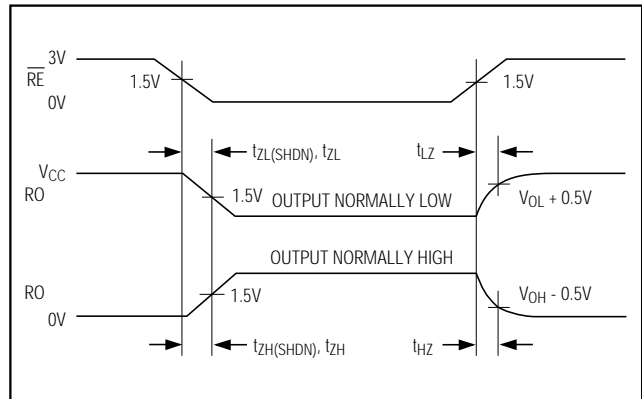


Figure 11. Receiver Enable and Disable Times (except HWD488 and HWD490)

## Function Tables (HWD481/HWD483/HWD485/HWD487/HWD1487)

Table 1. Transmitting

INPUTS			OUTPUTS	
$\overline{RE}$	DE	DI	Z	Y
X	1	1	0	1
X	1	0	1	0
0	0	X	High-Z	High-Z
1	0	X	High-Z*	High-Z*

X = Don't care

High-Z = High impedance

\* Shutdown mode for HWD481/HWD483/HWD487

Table 2. Receiving

INPUTS			OUTPUT
$\overline{RE}$	DE	A-B	RO
0	0	$\geq +0.2V$	1
0	0	$\leq -0.2V$	0
0	0	Inputs open	1
1	0	X	High-Z*

X = Don't care

High-Z = High impedance

\* Shutdown mode for HWD481/HWD483/HWD487

## Low-Power, Slew-Rate-Limited RS-485/RS-422 Transceivers

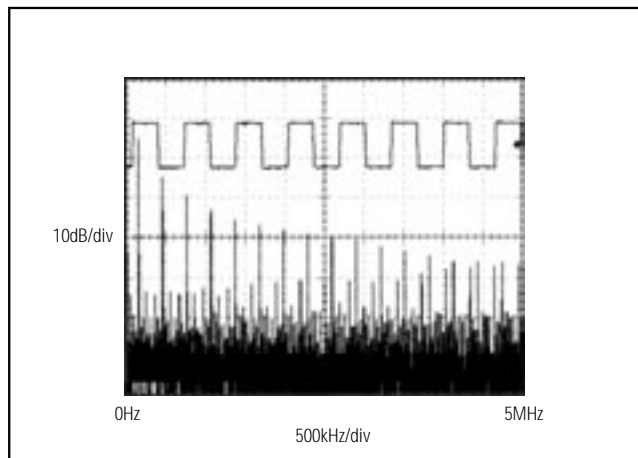


Figure 12. Driver Output Waveform and FFT Plot of HWD481/HWD485/HWD490/HWD491/HWD1487 Transmitting a 150kHz Signal

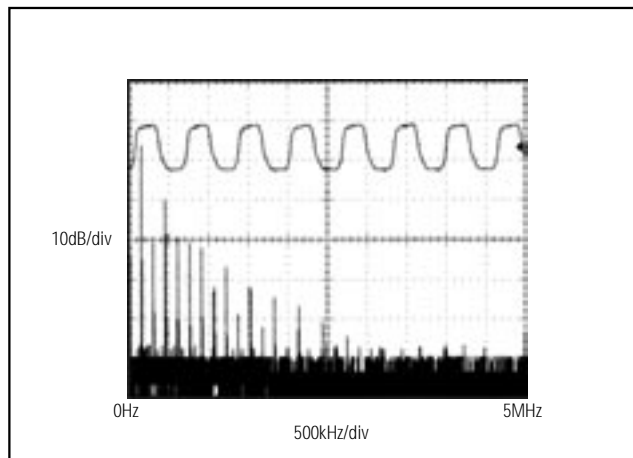


Figure 13. Driver Output Waveform and FFT Plot of HWD483/HWD487-HWD489 Transmitting a 150kHz Signal

### Low-Power Shutdown Mode (HWD481/HWD483/HWD487)

A low-power shutdown mode is initiated by bringing both  $\overline{RE}$  high and DE low. The devices will not shut down unless both the driver and receiver are disabled. In shutdown, the devices typically draw only 0.1 $\mu$ A of supply current.

$\overline{RE}$  and DE may be driven simultaneously; the parts are guaranteed not to enter shutdown if  $\overline{RE}$  is high and DE is low for less than 50ns. If the inputs are in this state for at least 600ns, the parts are guaranteed to enter shutdown.

For the HWD481, HWD483, and HWD487, the  $t_{ZH}$  and  $t_{ZL}$  enable times assume the part was not in the low-power shutdown state (the HWD485/HWD488-HWD491 and HWD1487 can not be shut down). The  $t_{ZH}(SHDN)$  and  $t_{ZL}(SHDN)$  enable times assume the parts were shut down (see *Electrical Characteristics*).

It takes the drivers and receivers longer to become enabled from the low-power shutdown state ( $t_{ZH}(SHDN)$ ,  $t_{ZL}(SHDN)$ ) than from the operating mode ( $t_{ZH}$ ,  $t_{ZL}$ ). (The parts are in operating mode if the  $\overline{RE}$ , DE inputs equal a logical 0,1 or 1,1 or 0, 0.)

### Driver Output Protection

Excessive output current and power dissipation caused by faults or by bus contention are prevented by two mechanisms. A foldback current limit on the output stage provides immediate protection against short circuits over the whole common-mode voltage range (see *Typical Operating Characteristics*). In addition, a thermal shutdown circuit forces the driver outputs into a high-impedance state if the die temperature rises excessively.

### Propagation Delay

Many digital encoding schemes depend on the difference between the driver and receiver propagation delay times. Typical propagation delays are shown in Figures 15-18 using Figure 14's test circuit.

The difference in receiver delay times,  $|t_{PLH} - t_{PHL}|$ , is typically under 13ns for the HWD481, HWD485, HWD490, HWD491, and HWD1487 and is typically less than 100ns for the HWD483 and HWD487-HWD489.

The driver skew times are typically 5ns (10ns max) for the HWD481, HWD485, HWD490, HWD491, and HWD1487, and are typically 100ns (800ns max) for the HWD483 and HWD487-HWD489.

# Low-Power, Slew-Rate-Limited RS-485/RS-422 Transceivers

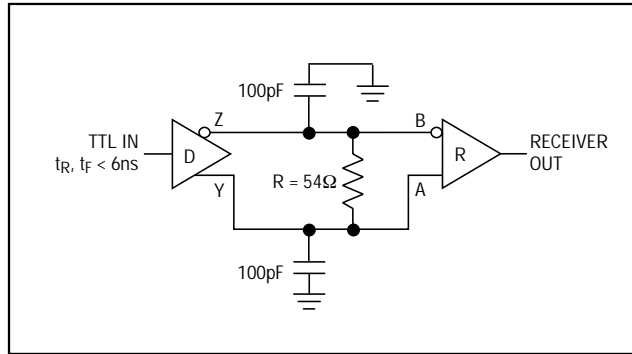


Figure 14. Receiver Propagation Delay Test Circuit

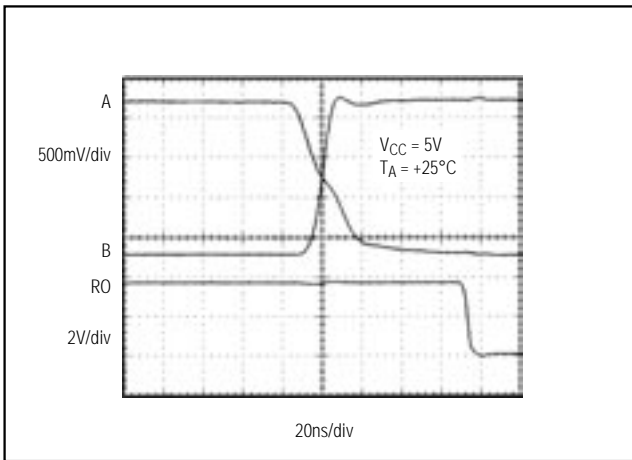


Figure 15. HWD481/HWD485/HWD490/HWD491/HWD487 Receiver  $t_{PHL}$

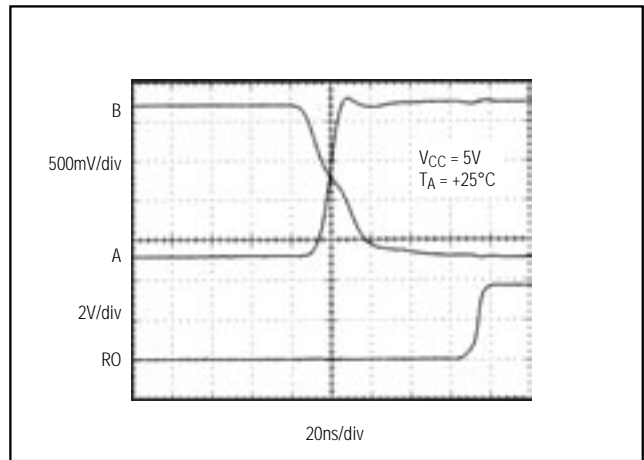


Figure 16. HWD481/HWD485/HWD490/HWD491/HWD1487 Receiver  $t_{PLH}$

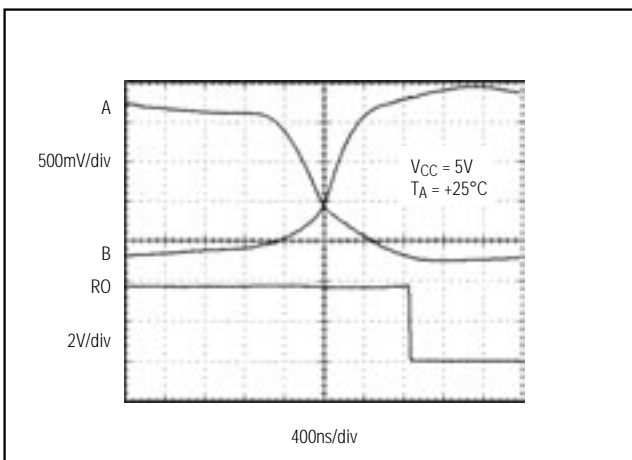


Figure 17. HWD483, HWD487–HWD489 Receiver  $t_{PHL}$

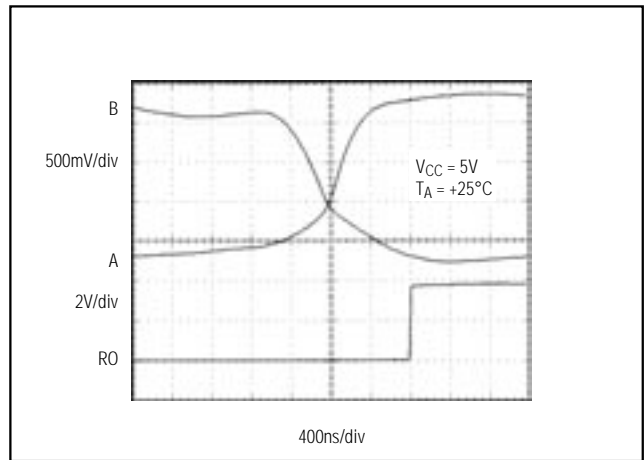


Figure 18. HWD483, HWD487–HWD489 Receiver  $t_{PLH}$

# Low-Power, Slew-Rate-Limited RS-485/RS-422 Transceivers

## Line Length vs. Data Rate

The RS-485/RS-422 standard covers line lengths up to 4000 feet. For line lengths greater than 4000 feet, see Figure 23.

Figures 19 and 20 show the system differential voltage for the parts driving 4000 feet of 26AWG twisted-pair wire at 110kHz into 120Ω loads.

## Typical Applications

The HWD481, HWD483, HWD485, HWD487-HWD491, and HWD1487 transceivers are designed for bidirectional data communications on multipoint bus transmission lines.

Figures 21 and 22 show typical network applications circuits. These parts can also be used as line repeaters, with cable lengths longer than 4000 feet, as shown in Figure 23.

To minimize reflections, the line should be terminated at both ends in its characteristic impedance, and stub lengths off the main line should be kept as short as possible. The slew-rate-limited HWD483 and HWD487-HWD489 are more tolerant of imperfect termination.

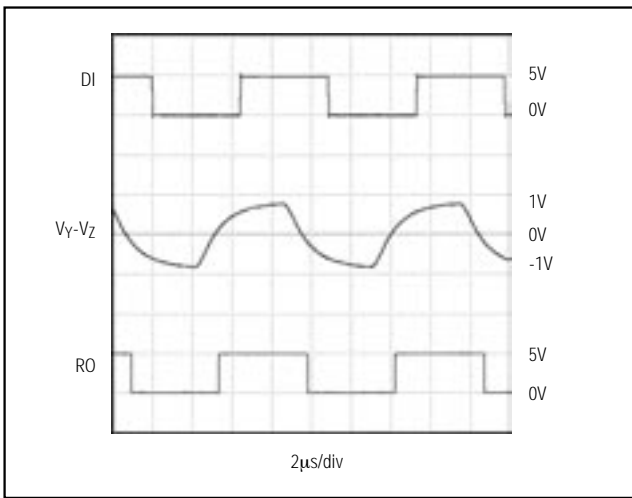


Figure 19. HWD481/HWD485/HWD490/HWD491/HWD1487 System Differential Voltage at 110kHz Driving 4000ft of Cable

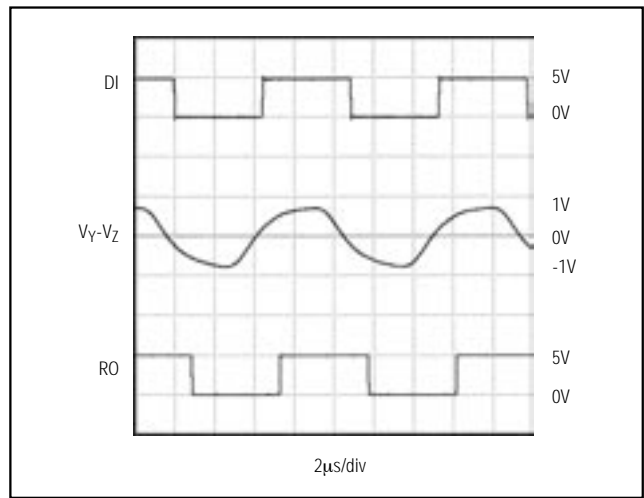


Figure 20. HWD483, HWD487-HWD489 System Differential Voltage at 110kHz Driving 4000ft of Cable

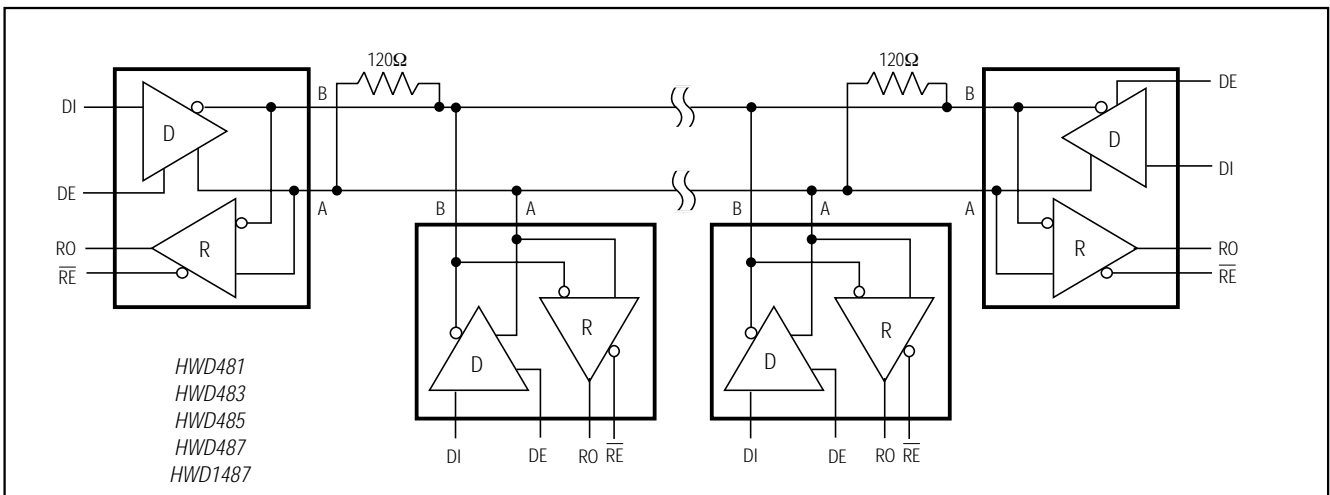


Figure 21. HWD481/HWD483/HWD485/HWD487/HWD1487 Typical Half-Duplex RS-485 Network

# Low-Power, Slew-Rate-Limited RS-485/RS-422 Transceivers

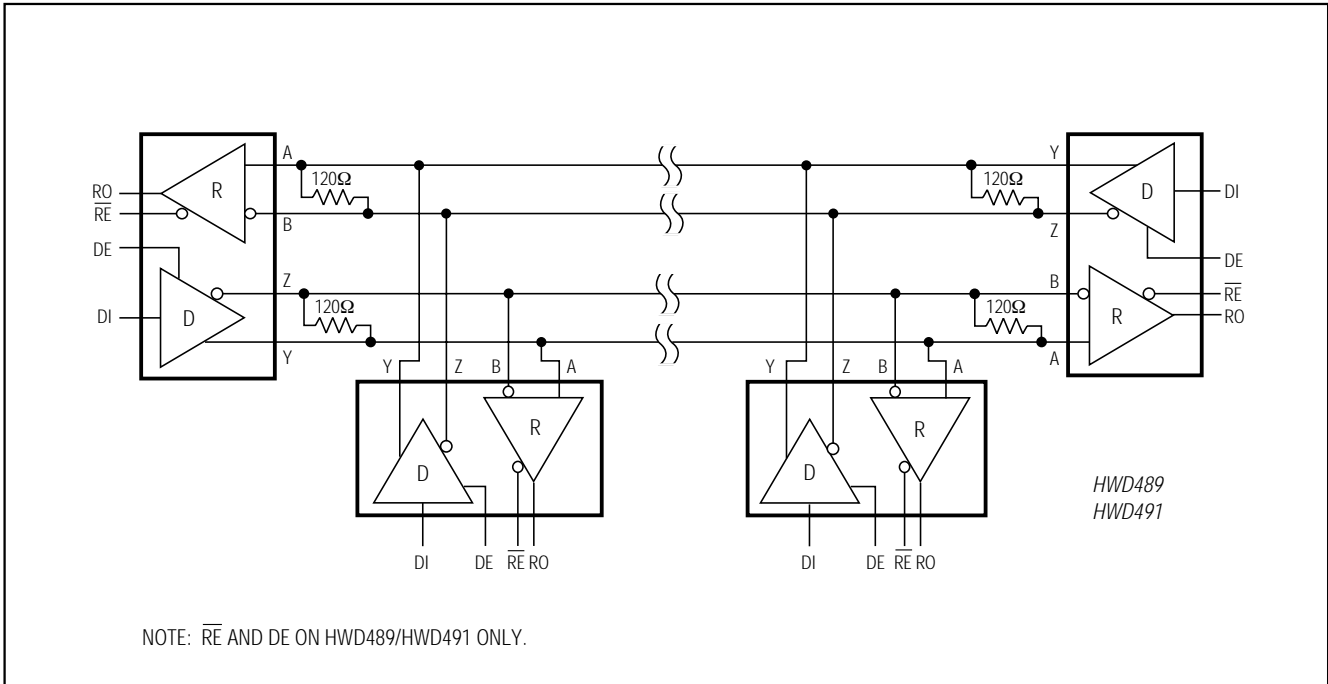


Figure 22. HWD488-HWD491 Full-Duplex RS-485 Network

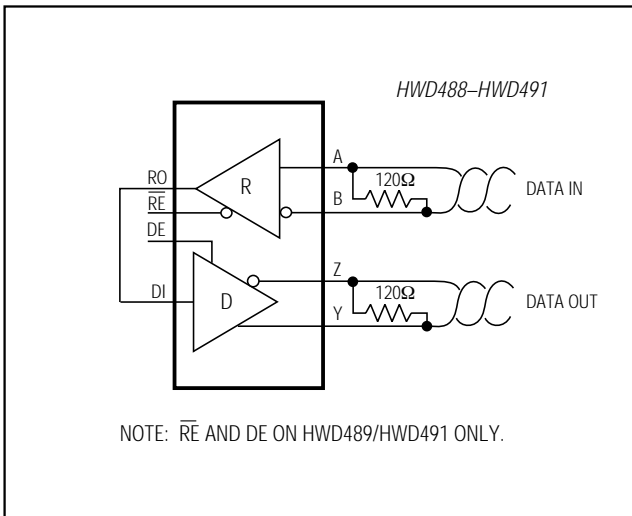


Figure 23. Line Repeater for HWD488-HWD491

## Isolated RS-485

For isolated RS-485 applications, see the HWD253 and HWD1480 data sheets.

# Low-Power, Slew-Rate-Limited RS-485/RS-422 Transceivers

## Ordering Information

PART	TEMP. RANGE	PIN-PACKAGE
<b>HWD481</b> CPA	0°C to +70°C	8 Plastic DIP
HWD481CSA	0°C to +70°C	8 SO
HWD481CUA	0°C to +70°C	8 $\mu$ MAX
HWD481C/D	0°C to +70°C	Dice*
HWD481EPA	-40°C to +85°C	8 Plastic DIP
HWD481ESA	-40°C to +85°C	8 SO
HWD481MJA	-55°C to +125°C	8 CERDIP
<b>HWD483</b> CPA	0°C to +70°C	8 Plastic DIP
HWD483CSA	0°C to +70°C	8 SO
HWD483CUA	0°C to +70°C	8 $\mu$ MAX
HWD483C/D	0°C to +70°C	Dice*
HWD483EPA	-40°C to +85°C	8 Plastic DIP
HWD483ESA	-40°C to +85°C	8 SO
HWD483MJA	-55°C to +125°C	8 CERDIP
<b>HWD485</b> CPA	0°C to +70°C	8 Plastic DIP
HWD485CSA	0°C to +70°C	8 SO
HWD485CUA	0°C to +70°C	8 $\mu$ MAX
HWD485C/D	0°C to +70°C	Dice*
HWD485EPA	-40°C to +85°C	8 Plastic DIP
HWD485ESA	-40°C to +85°C	8 SO
HWD485MJA	-55°C to +125°C	8 CERDIP
<b>HWD487</b> CPA	0°C to +70°C	8 Plastic DIP
HWD487CSA	0°C to +70°C	8 SO
HWD487CUA	0°C to +70°C	8 $\mu$ MAX
HWD487C/D	0°C to +70°C	Dice*
HWD487EPA	-40°C to +85°C	8 Plastic DIP
HWD487ESA	-40°C to +85°C	8 SO
HWD487MJA	-55°C to +125°C	8 CERDIP
<b>HWD488</b> CPA	0°C to +70°C	8 Plastic DIP
HWD488CSA	0°C to +70°C	8 SO
HWD488CUA	0°C to +70°C	8 $\mu$ MAX
HWD488C/D	0°C to +70°C	Dice*
HWD488EPA	-40°C to +85°C	8 Plastic DIP
HWD488ESA	-40°C to +85°C	8 SO
HWD488MJA	-55°C to +125°C	8 CERDIP
<b>HWD489</b> CPD	0°C to +70°C	14 Plastic DIP
HWD489CSD	0°C to +70°C	14 SO
HWD489C/D	0°C to +70°C	Dice*
HWD489EPD	-40°C to +85°C	14 Plastic DIP
HWD489ESD	-40°C to +85°C	14 SO
HWD489MJD	-55°C to +125°C	14 CERDIP

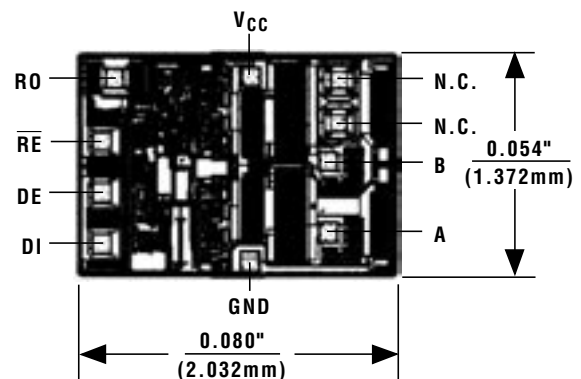
## Ordering Information (continued)

PART	TEMP. RANGE	PIN-PACKAGE
<b>HWD490</b> CPA	0°C to +70°C	8 Plastic DIP
HWD490CSA	0°C to +70°C	8 SO
HWD490CUA	0°C to +70°C	8 $\mu$ MAX
HWD490C/D	0°C to +70°C	Dice*
HWD490EPA	-40°C to +85°C	8 Plastic DIP
HWD490ESA	-40°C to +85°C	8 SO
HWD490MJA	-55°C to +125°C	8 CERDIP
<b>HWD491</b> CPD	0°C to +70°C	14 Plastic DIP
HWD491CSD	0°C to +70°C	14 SO
HWD491C/D	0°C to +70°C	Dice*
HWD491EPD	-40°C to +85°C	14 Plastic DIP
HWD491ESD	-40°C to +85°C	14 SO
HWD491MJD	-55°C to +125°C	14 CERDIP
<b>HWD1487</b> CPA	0°C to +70°C	8 Plastic DIP
HWD1487CSA	0°C to +70°C	8 SO
HWD1487CUA	0°C to +70°C	8 $\mu$ MAX
HWD1487C/D	0°C to +70°C	Dice*
HWD1487EPA	-40°C to +85°C	8 Plastic DIP
HWD1487ESA	-40°C to +85°C	8 SO
HWD1487MJA	-55°C to +125°C	8 CERDIP

\* Contact factory for dice specifications.

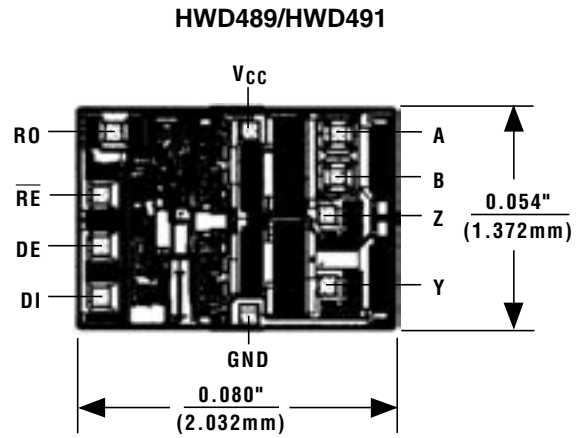
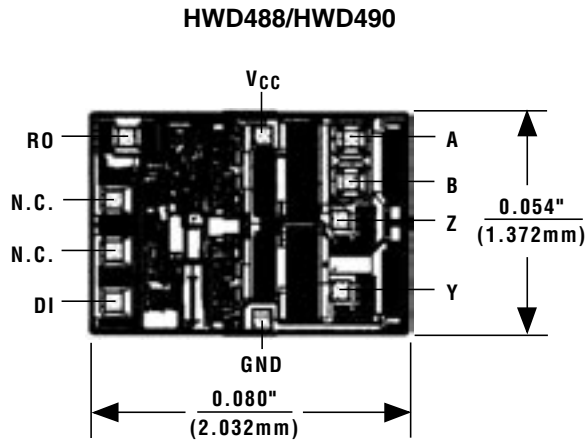
## Chip Topographies

### HWD481/HWD483/HWD485/HWD487/HWD1487



# Low-Power, Slew-Rate-Limited RS-485/RS-422 Transceivers

Chip Topographies (continued)

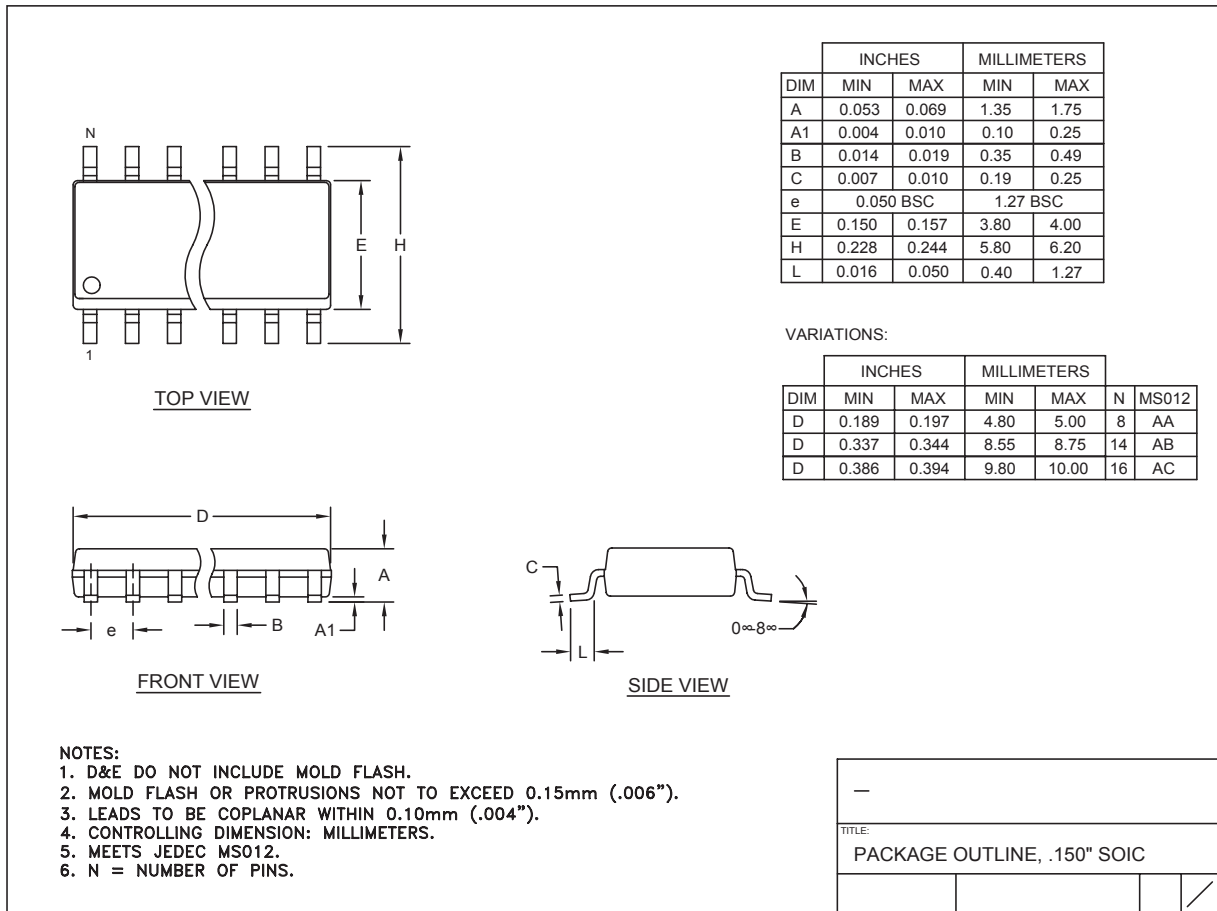


TRANSISTOR COUNT: 248  
SUBSTRATE CONNECTED TO GND



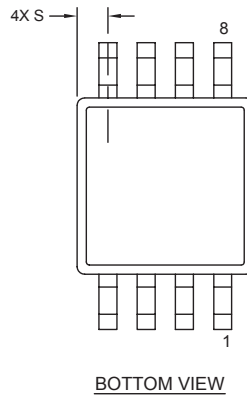
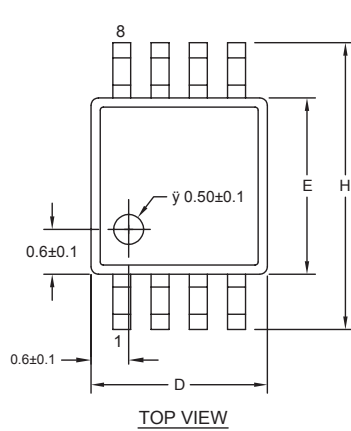
# Low-Power, Slew-Rate-Limited RS-485/RS-422 Transceivers

## Package Information

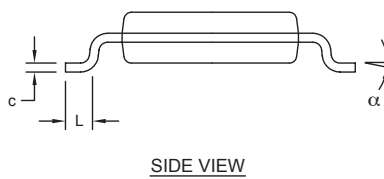
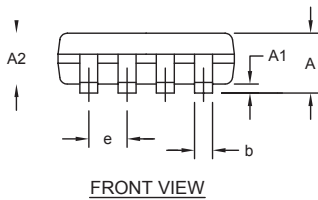


# Low-Power, Slew-Rate-Limited RS-485/RS-422 Transceivers

Package Information (continued)



DIM	INCHES		MILLIMETERS	
	MIN	MAX	MIN	MAX
A	-	0.043	-	1.10
A1	0.002	0.006	0.05	0.15
A2	0.030	0.037	0.75	0.95
b	0.010	0.014	0.25	0.36
c	0.005	0.007	0.13	0.18
D	0.116	0.120	2.95	3.05
e	0.0256 BSC		0.65 BSC	
E	0.116	0.120	2.95	3.05
H	0.188	0.198	4.78	5.03
L	0.016	0.026	0.41	0.66
$\alpha$	0 $^\infty$	6 $^\infty$	0 $^\infty$	6 $^\infty$
S	0.0207 BSC		0.5250 BSC	



**NOTES:**

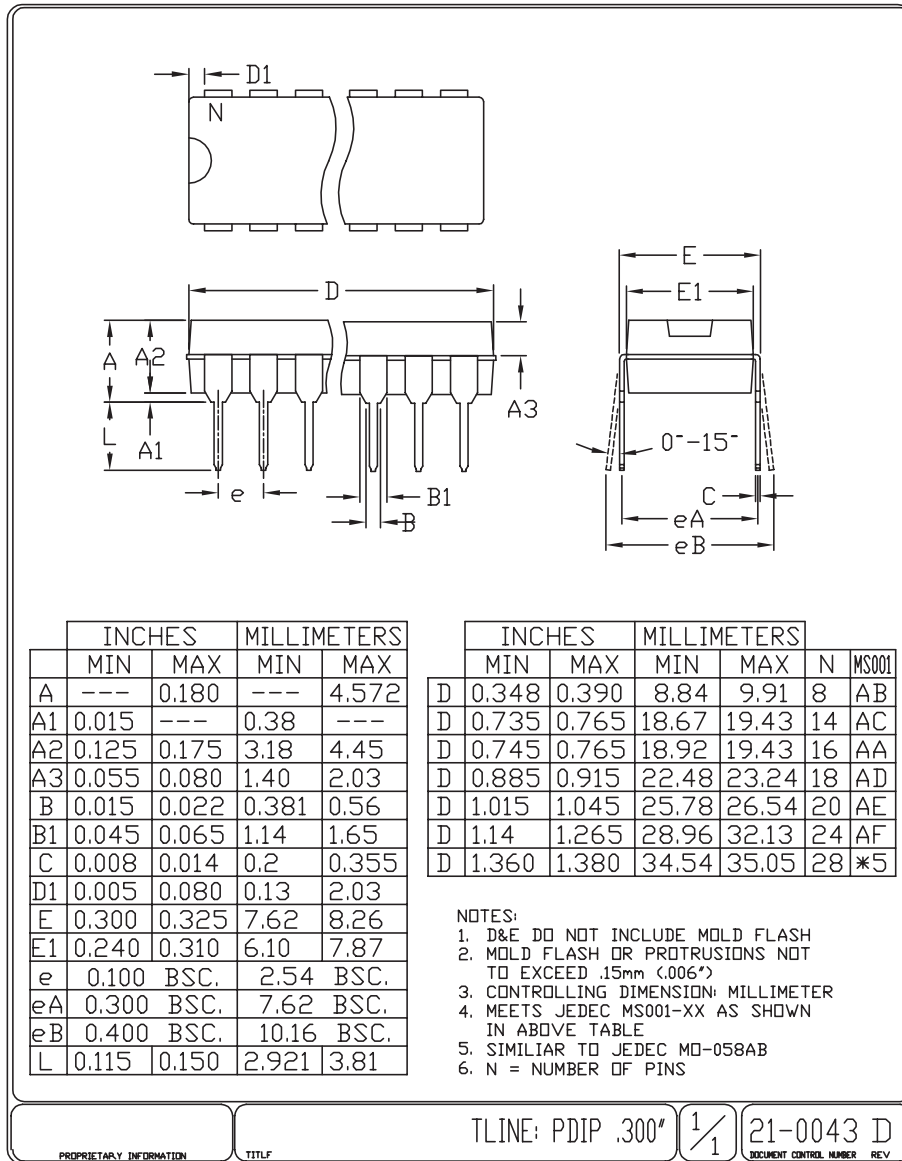
1. D&E DO NOT INCLUDE MOLD FLASH.
2. MOLD FLASH OR PROTRUSIONS NOT TO EXCEED 0.15MM (.006").
3. CONTROLLING DIMENSION: MILLIMETERS.
4. MEETS JEDEC MO-187C-AA.

PROPRIETARY INFORMATION  
TITLE:

PACKAGE OUTLINE, 8L uMAX/uSOP

# Low-Power, Slew-Rate-Limited RS-485/RS-422 Transceivers

Package Information (continued)



---

Chengdu Sino Microelectronics System Co., Ltd

([Http://www.csmsc.com](http://www.csmsc.com))



**Headquarters of CSMSC:**

Address: 2nd floor, Building D,  
Science & Technology  
Industrial Park, 11 Gaopeng  
Avenue, Chengdu High-Tech  
Zone, Chengdu City, Sichuan  
Province, P. R. China

PC: 610041

Tel: +86-28-8517-7737

Fax: +86-28-8517-5097

**Beijing Office:**

Address: Room 505, No. 6 Building,  
Zijin Garden, 68 Wanquanhe  
Rd., Haidian District,  
Beijing, P. R. China

PC: 100000

Tel: +86-10-8265-8662

Fax: +86-10-8265-86

**Shenzhen Office:**

Address: Room 1015, Building B,  
Zhongshen Garden,  
Caitian Rd, Futian District,  
Shenzhen, P. R. China

PC: 518000

Tel : +86-775-8299-5149

+86-775-8299-5147

+86-775-8299-6144

Fax: +86-775-8299-6142