



➤➤ **DATA SHEET**
(DOC No. HX5186-B-DS)

➤➤ **HX5186-B**
Charge Pump Controller
Preliminary version 01 October, 2011

Himax Technologies, Inc.
<http://www.himax.com.tw>

For Happiness Only

» **HX5186-B**
Charge Pump Controller



Himax Technologies, Inc.
<http://www.himax.com.tw>

List of Contents

October, 2011

1. General Description	4
2. Features	4
3. Block Diagram	5
4. Typical Operating Circuit.....	6
5. Pin Description	7
6. Pin Assignment	8
7. Package Information	9
8. Absolute Maximum Ratings	10
9. Thermal Information	10
10. ESD Rating	10
11. Electrical Specifications	11
12. Control Signals of HX5186-B	13
13. Ordering Information	15
14. Revision History	16

Himax Confidential
Do Not Copy

» **HX5186-B**
Charge Pump Controller



Himax Technologies, Inc.
<http://www.himax.com.tw>

List of Figures

October, 2011

Figure 4.1: Typical operating circuit	6
Figure 12.1: Control signals of HX5186-B.....	13
Figure 12.2: Control signal timing characteristics	13
Figure 12.3: Feedback mode control	14

Himax Confidential
Do Not Copy

➤ HX5186-B

Charge Pump Controller



Himax Technologies, Inc.
<http://www.himax.com.tw>

Preliminary Version 01

October, 2011

1. General Description

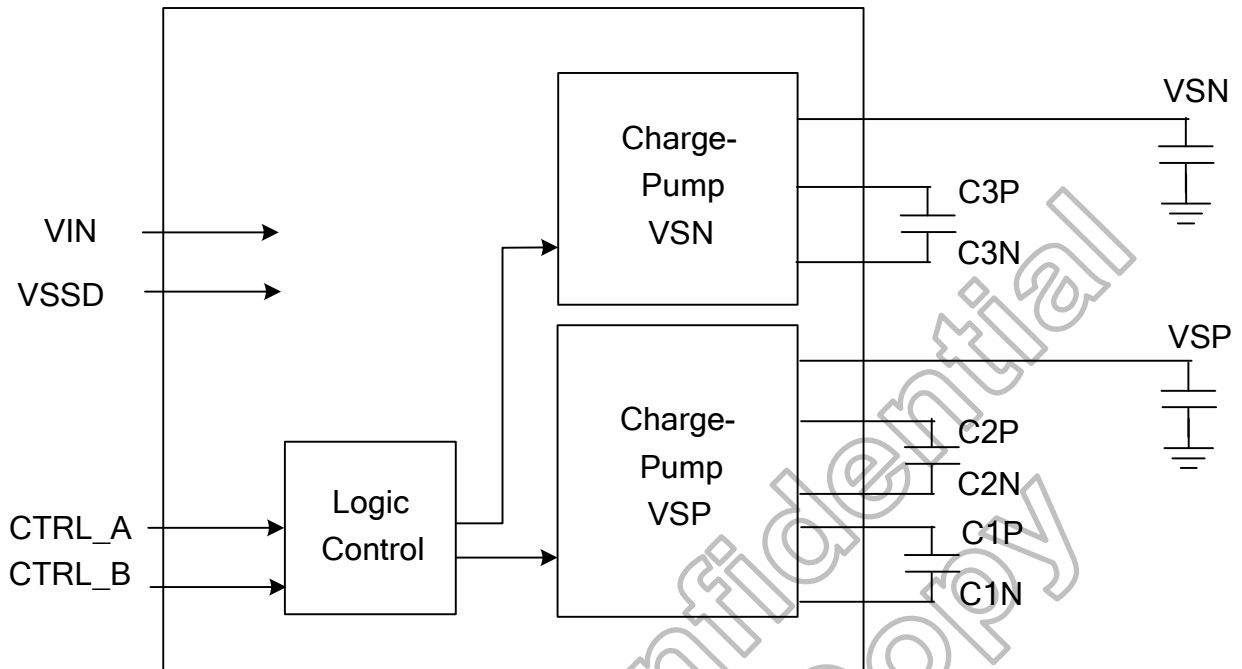
The HX5186-B is a dedicated high performance and low noise DC/DC pumping controller IC with a feature of low cost solution on specified power application. HX5186-B can be used charge pumping architecture with different pumping factor that is controlled by master driver.

2. Features

- Adjustable frequency operation of charge pumping on Master
- Adaptive x1.5/ x2/x3 mode switchover for positive voltage and x-1 mode for negative voltage
- 2.3V to 4.8V Supply Voltage Range
- VSP output range 4.5V to 6.0V
- VSN output range -4.5V to -6.0V
- Control signals voltage 2.3V to 4.8V
- 12-pin 3.0mm x 1.5mm x 0.5mm TDFN12 package
- Applications for power conversion

Himax Confidential
Do Not Copy

3. Block Diagram



4. Typical Operating Circuit

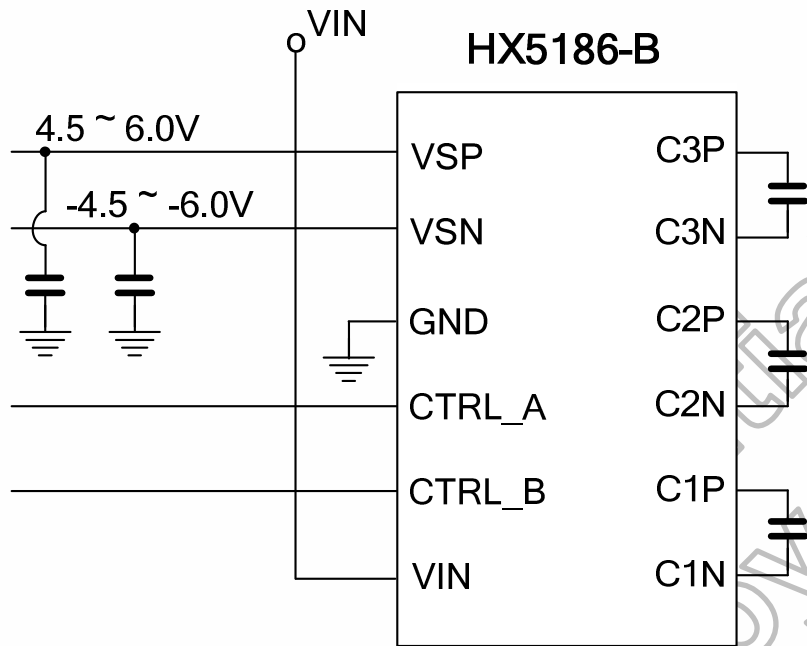


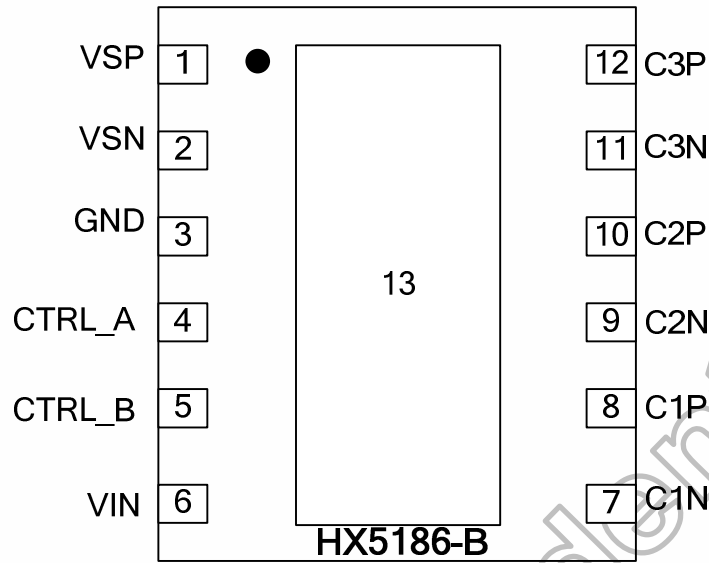
Figure 4.1: Typical operating circuit

5. Pin Description

Pin name	Pin no.	Description
VSP	1	Positive terminal of the output
VSN	2	Negative terminal of the output
GND	3	Ground
CTRL_A	4	Control signal 1, this signal should be low when no pump.
CTRL_B	5	Control signal 2, this signal should be low when no pump.
VIN	6	Power supply
C1N	7	Negative terminal of the charge-pump transfer capacitor 1(1.0uF/10V)
C1P	8	Positive terminal of the charge-pump transfer capacitor 1(1.0uF/10V)
C2N	9	Negative terminal of the charge-pump transfer capacitor 2(1.0uF/10V)
C2P	10	Positive terminal of the charge-pump transfer capacitor 2(1.0uF/10V)
C3N	11	Negative terminal of the charge-pump transfer capacitor 3(1.0uF/10V)
C3P	12	Positive terminal of the charge-pump transfer capacitor 3(1.0uF/10V)
Dummy	13	Dummy pad, please let it open.

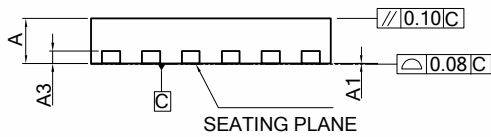
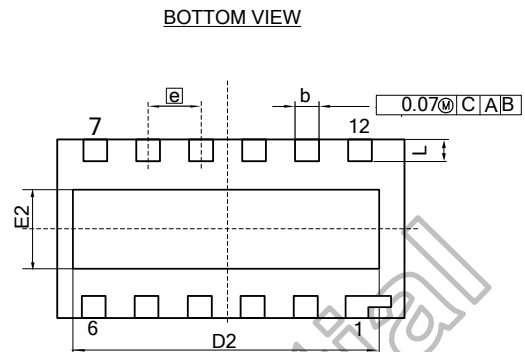
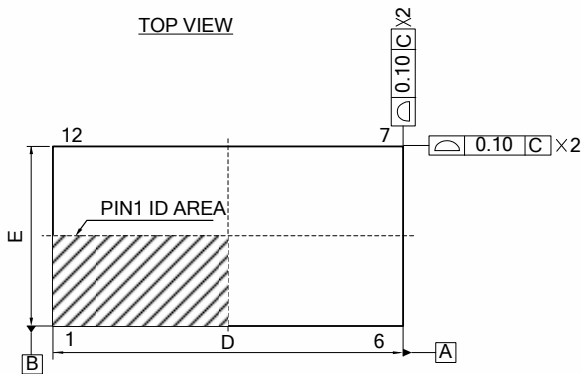
Himax Confidential
Do Not Copy

6. Pin Assignment



Himax Confidential
Do Not Copy

7. Package Information



SYMBOL	DIMENSION(MM)			DIMENSION(MIL)		
	MIN.	NOM.	MAX.	MIN.	NOM.	MAX.
A	0.40	0.45	0.50	15.7	17.7	19.7
A1	0.00	0.02	0.05	0	0.8	2
A3	0.203 REF			8 REF		
b	0.15	0.20	0.25	5.9	7.8	9.8
D	2.90	3.00	3.10	114.2	118.1	122.0
D2	2.75	2.80	2.85	108.3	110.2	112.2
E	1.40	1.50	1.60	55.1	59.0	63.0
E2	0.65	0.70	0.75	25.6	27.5	29.5
ⓐ	0.45 BSC			17.7 BSC		
L	0.15	0.20	0.25	5.9	7.9	9.8

NOTES:

1. CONTROLLING DIMENSION : MILLIMETERS.

8. Absolute Maximum Ratings

Parameter	Symbol	Value	Unit
Supply voltage	VIN	-0.3 to 6	V
Control signals output current	Output current	60	mA
Control signals voltage range	Logic Input	-0.3 to 6	V
Output control driver	Output voltage VSP	0 to 6	V
	Output voltage VSN	0 to -6	

9. Thermal Information

Parameter	Symbol	Spec.			Unit
		Min.	Typ.	Max.	
Operating junction temperature	T _J	-40	-	125	°C
Operating temperature range (Ambient)	T _{OP}	-40	-	85	°C
Storage temperature range	T _{STG}	-55	-	150	°C
Lead soldering temperature, 10 seconds	-	-	-	260	°C

10. ESD Rating

Parameter	Symbol	Value	Unit
Human Body Model	HBM	2	KV
Machine Model	MM	200	V

11. Electrical Specifications

HX5186-B can be used charge pumping architecture with adaptive x1.5/ x2/x3 pumping factor.

(Non-feedback mode, testing is done under $V_{IN}=2.3\sim 3.8V$, $T_A=25^\circ C$, unless otherwise specified.)

Parameter	Symbol	Conditions	Spec.			Unit
			Min.	Typ.	Max.	
Input Power Supply						
Supply voltage	V_{IN}	-	2.3	-	3.8	V
Supply current	I_{VIN}	$V_{IN}=2.3V$ (x3 mode)	-	-	TBD	mA
		$V_{IN}=2.8V$ (x2 mode)	-	-	TBD	
		$V_{IN}=3.8V$ (x1.5 mode)	-	-	TBD	
Output Power Supply						
Positive output voltage	V_{SP}	-	4.5	-	6.0	V
Negative output voltage	V_{SN}	-	-6.0	-	-4.5	V
Positive output current	I_{VSP}	$V_{IN}=2.3V$ (x3 mode)	0	-	TBD	mA
		$V_{IN}=2.8V$ (x2 mode)	0	-	TBD	
		$V_{IN}=3.8V$ (x1.5 mode)	0	-	TBD	
Negative output current	I_{VSN}	$V_{IN}=2.3V$ (x3 mode)	0	-	TBD	mA
		$V_{IN}=2.8V$ (x2 mode)	0	-	TBD	
		$V_{IN}=3.8V$ (x1.5 mode)	0	-	TBD	
Control Signal Voltage Level						
Input high voltage	$V_{IH}(IN)$	-	0.8 V_{IN}	-	V_{IN}	V
Input low voltage	$V_{IL}(IN)$	-	0	-	0.2 V_{IN}	V
Output Power Supply						
Output / Input	Efficiency	$V_{IN}=2.3V$ $I_{VIN}=8mA$ (x3 mode)	TBD	TBD	-	%
		$V_{IN}=2.8V$ $I_{VIN}=8mA$ (x2 mode)	TBD	TBD	-	
		$V_{IN}=3.8V$ $I_{VIN}=8mA$ (x1.5 mode)	TBD	TBD	-	

HX5186-B also can communicate with Himax driver IC and support feedback mode for larger supply voltage range (VIN=2.3~4.8v).

(Feedback mode, testing is done under VIN=2.3~4.8V, TA=25°C, unless otherwise specified.)

Parameter	Symbol	Conditions	Spec.			Unit
			Min.	Typ.	Max.	
Input Power Supply						
Supply voltage	VIN	-	2.3	-	4.8	V
Supply current	IVIN	VIN=2.3V (Feedback mode)	-	-	TBD	mA
		VIN=2.8V (Feedback mode)	-	-	TBD	
		VIN=4.8V (Feedback mode)	-	-	TBD	
Output Power Supply						
Positive output voltage	VSP	-	4.5	-	6.0	V
Negative output voltage	VSN	-	-6.0	-	-4.5	V
Positive output current	IVSP	VIN=2.3V (Feedback mode)	0	-	TBD	mA
		VIN=2.8V (Feedback mode)	0	-	TBD	
		VIN=4.8V (Feedback mode)	0	-	TBD	
Negative output current	IVSN	VIN=2.3V (Feedback mode)	0	-	TBD	mA
		VIN=2.8V (Feedback mode)	0	-	TBD	
		VIN=4.8V (Feedback mode)	0	-	TBD	
Control Signal Voltage Level						
Input high voltage	V _{IH} (IN)	-	0.8 VIN	-	VIN	V
Input low voltage	V _{IL} (IN)	-	0	-	0.2 VIN	V
Output Power Supply						
Output / Input	Efficiency	VIN=2.3V IVIN=8mA (Feedback mode)	TBD	TBD	-	%
		VIN=2.8V IVIN=8mA (Feedback mode)	TBD	TBD	-	
		VIN=4.8V IVIN=8mA (Feedback mode)	TBD	TBD	-	

12. Control Signals of HX5186-B

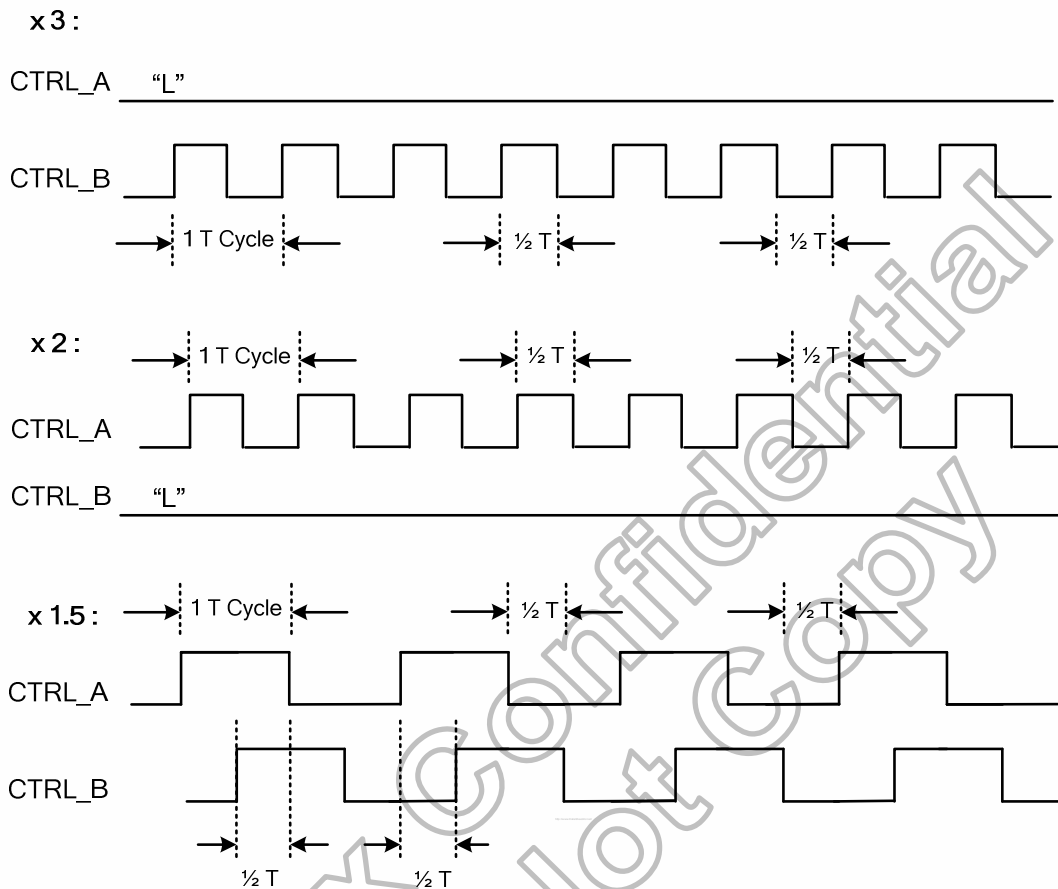


Figure 12.1: Control signals of HX5186-B

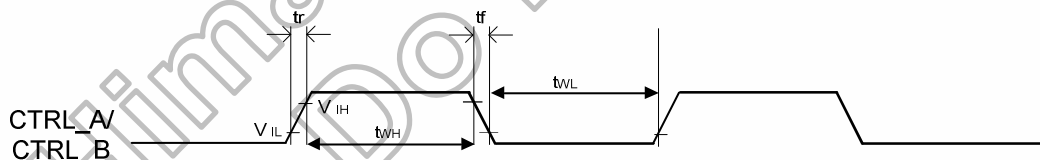


Figure 12.2: Control signal timing characteristics

(VIN=2.8V, TA =-30 to 70°C)

Parameter	Symbol	Spec.			Unit
		Min.	Typ.	Max.	
Rising time	t_r	1	-	100	ns
Falling time	t_f	1	-	100	ns
High pulse width	t_{WH}	0.1	-	-	μs
Low pulse width	t_{WL}	0.1	-	-	μs

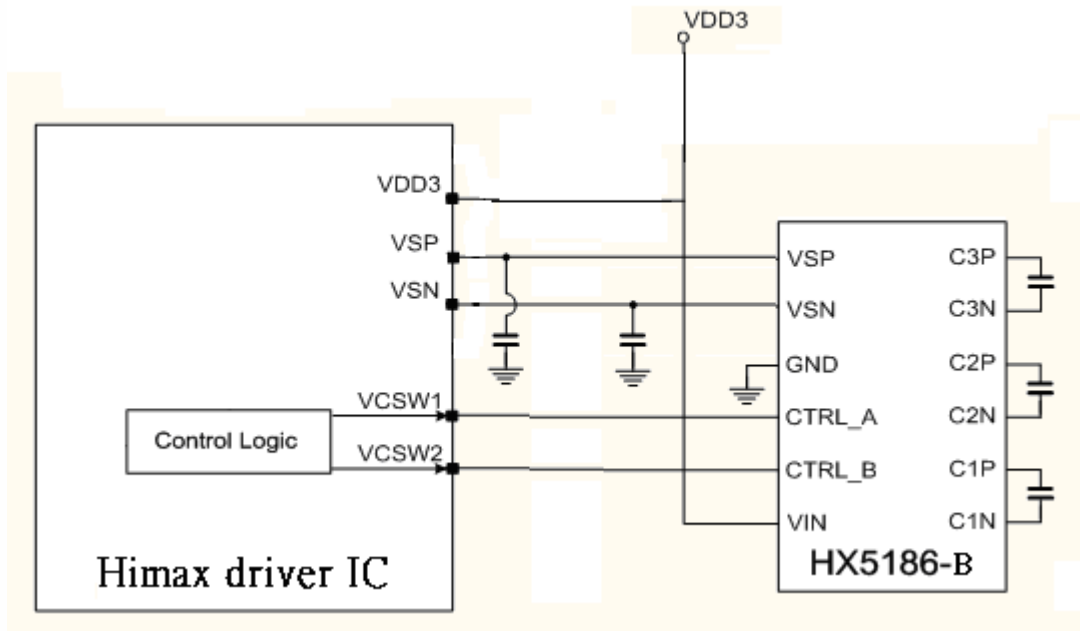


Figure 12.3: Feedback mode control

Himax Confidential
Do Not Copy

13. Ordering Information

Part No.	Package
HX5186-B00 xxxx	xxxx: mean bonding drawing number.

Himax Confidential
Do Not Copy

14. Revision History

Version	Date	Description of Changes
01	2011/10/03	1. New setup

Himax Confidential
Do Not Copy