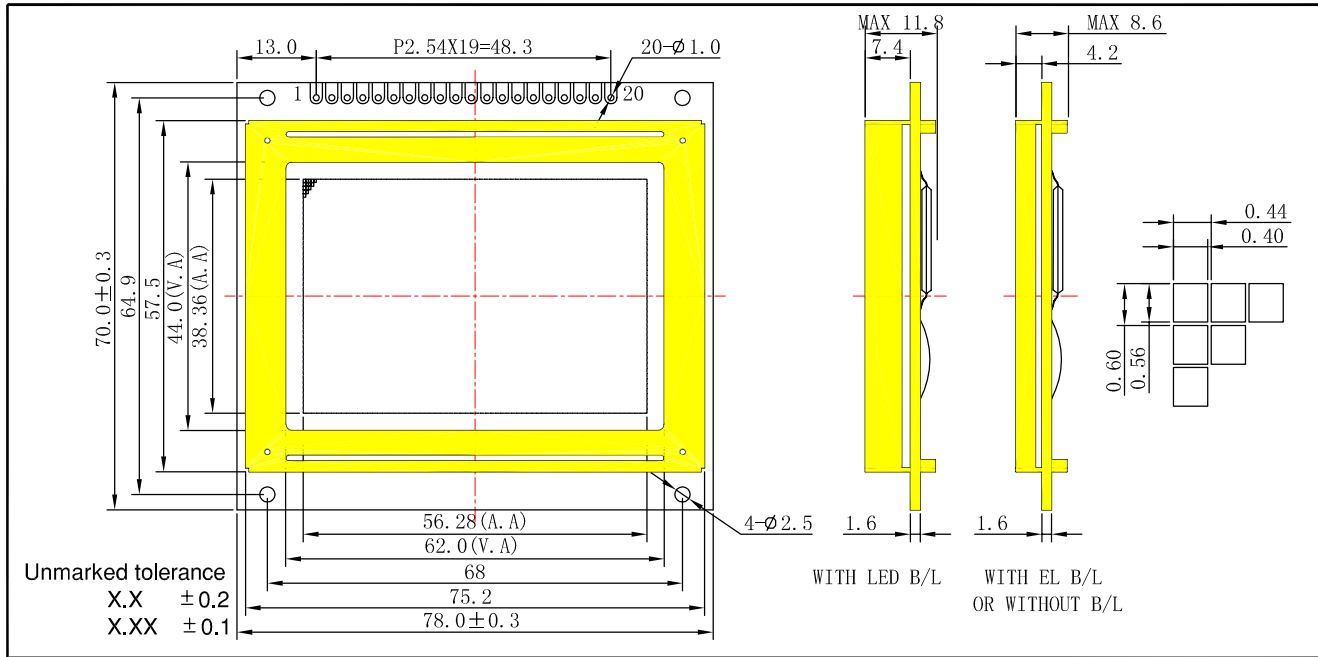
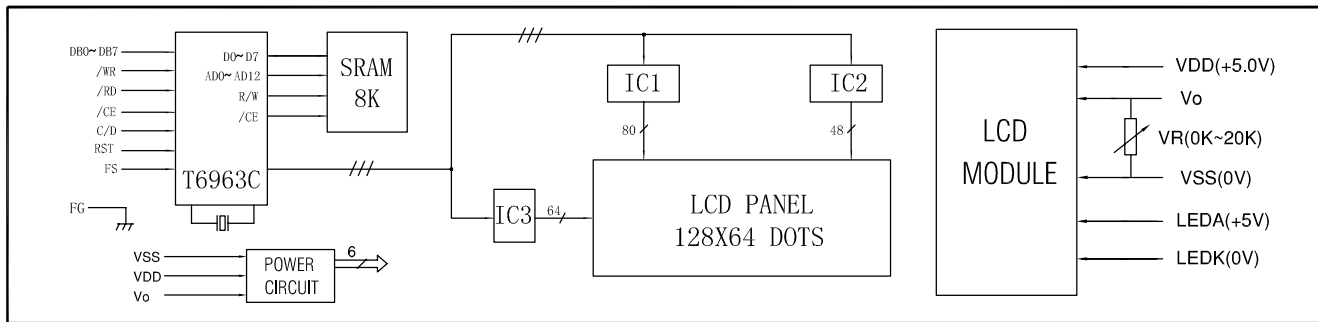


OUTLINE DIMENSIONS



BLOCK DIAGRAM & POWER SUPPLY



MECHANICAL SPECIFICATIONS & FEATURE

Item	Normal Dimensions(mm)	FEATURE	
Module Size (W*H*T)	78.0x70.0x8.6/11.8	LCD Type	STN, FSTN
View Area (W*H)	62.0x44.0	LCD Colour	STN:Yellow-Green、Gray FSTN:Gray
DotsxDots (W*H)	128x64	View Angle	6 O'clock、12 O'clock
Dot Pitch (W*H)	0.44x0.60	Display Type	Positive Type、Negative Type
Dot Size (W*H)	0.40x0.56	Rear polarizer	Transmissive、Reflective、Transflective
---	---	Operating Temperature	0°C ~ 50°C、-20°C ~ 70°C
---	---	Backlight	LED:Yellow EL:Green、Blue-Green、Blue Without

ELECTRICAL CHARACTERISTICS

Item	Symbol	Test Condition	Min.	Typ.	Max.	Unit
Operating Voltage	Vdd	Ta=25° C	---	5.0	---	V
Operating Voltage for LCD	Vlcd	Ta=25° C	---	8.7	---	V
Supply Current	Idd	Ta=25° C, Vdd=5.0V	---	3.0	4.0	mA
Supply Current for Backlight(LED)	If	Ta=25° C, Vf=4.2V	---	150	---	mA

INTERFACE PIN CONNECTIONS

Pin No	Symbol	Level	Description
1	FG	--	Frame ground
2	VSS	--	Ground for Logic
3	VDD	--	Power supply for Logic(+5.0V)
4	Vo	--	Power supply for LCD drive
5	/WR	L	Data write
6	/RD	L	Data read
7	/CE	L	Chip enable
8	C/D	H/L	Data or instruction select signal (H:data register, L:instruction register)
9	/RST	--	Reset signal
10-17	DB0-DB7	H/L	Data Bus lines
18	FS	H/L	Font selection terminal
19	LEDA	--	Power supply for Backlight(+)
20	LEDK	--	Power supply for Backlight(-)

REMARK

Pin19 and Pin20 electrode(A、K) can be exchanged
Negative type LCD colour: Blue