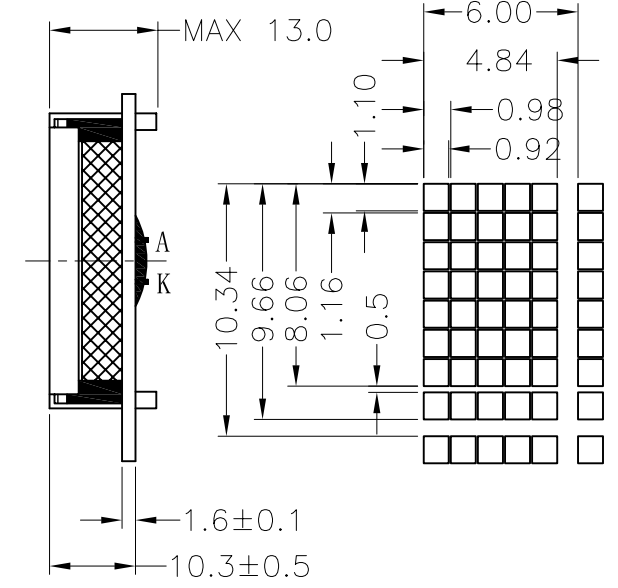
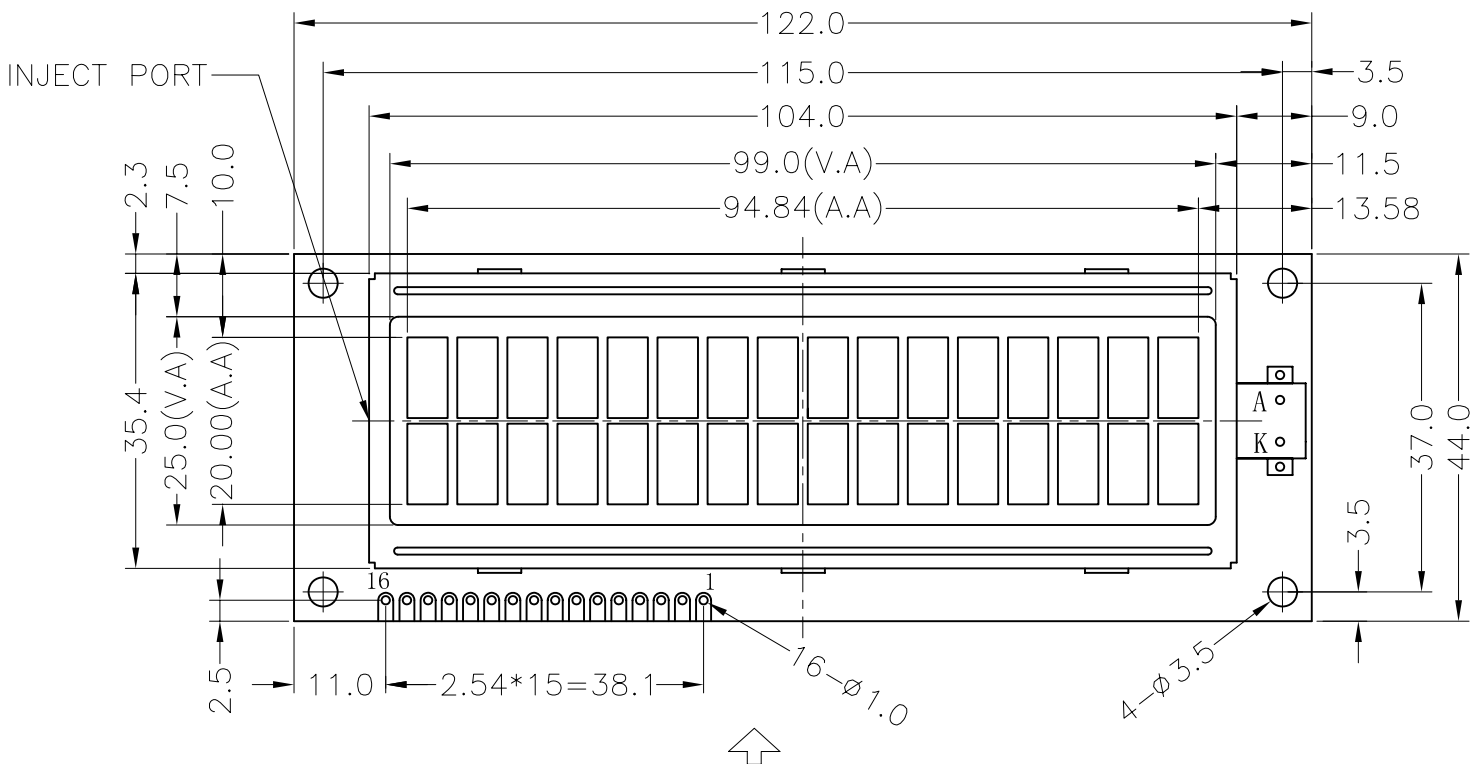


REV 版本	DESCRIPTION 描述	DATE 日期
A00	First issue	MAY-22-2006



Specification:

- 1). Driving: Duty:1/16, Bias:1/5, VDD:5.0V, VLCD:5.0V
- 2). Viewing direction: 6 O'clock
- 3). Display mode: STN/Positive/Transflective/Y-G
- 4). Operating temp.: -20°C~+70°C
- 5). Storage temp.: -30°C~+80°C
- 6). Drive ic: SPLC780D-001B-C
- 7). Backlight:bottom, Yellow-green ,
- 8). Dimensions with mark "\*" are important, with mark "()" are referenced
- 9). Meet for RoHS

VIEWING DIRECTION

PIN	1	2	3	4	5	6	7	8
CONNECTOR	LEDK	LEDA	VSS	VDD	VO	RS	R/W	E
PIN	9	10	11	12	13	14	15	16
CONNECTOR	DB0	DB1	DB2	DB3	DB4	DB5	DB6	DB7

<b>深圳秋田视佳实业有限公司</b> <b>SHENZHEN AV-DISPLAY CO., LTD</b>			SCALE: 比例 FIT 适应图面		
			SHEET: 页次 1 OF 1		
PART NO: 零件编码 CD 结构图		PROJECTION: 三角法	MODEL NUMBER: 模组型号 HY-1602E-201-R	APPROVALS: 签字	UNIT 单位 mm
FAV-HY-1602E-201-R-00			DO NOT SCALE THIS DRAWING.	DATE 日期	
			APP:	CHK:	DWN: