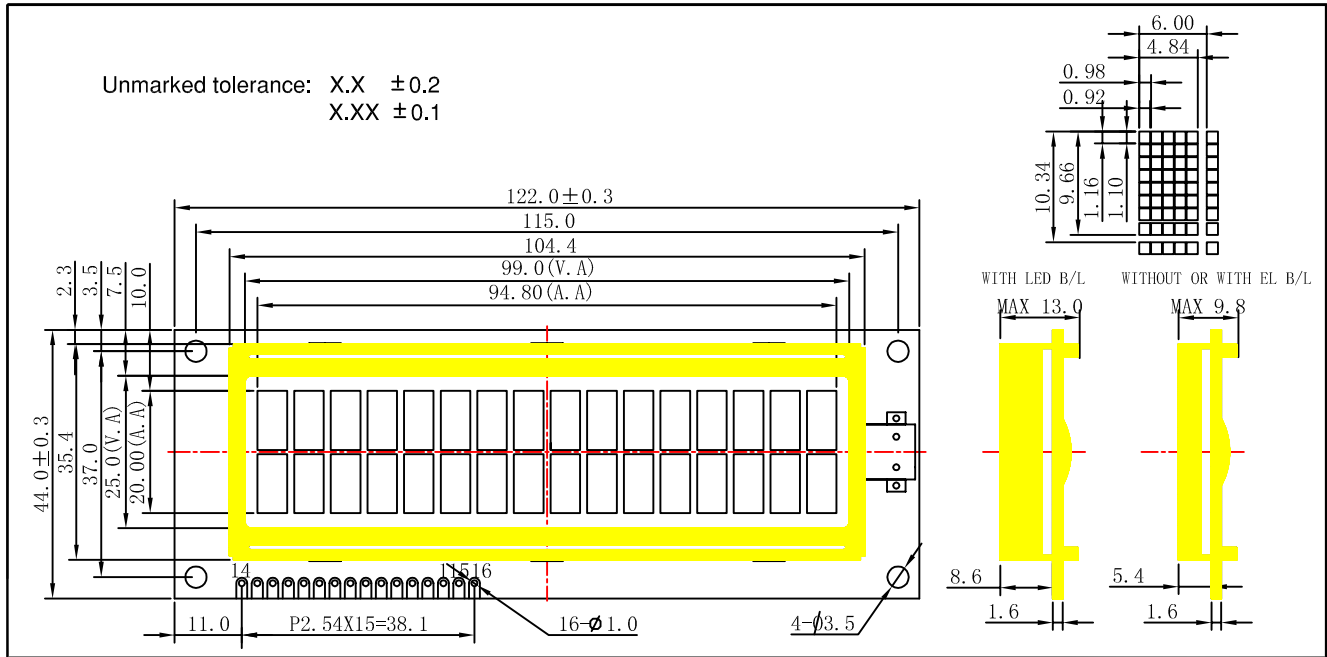
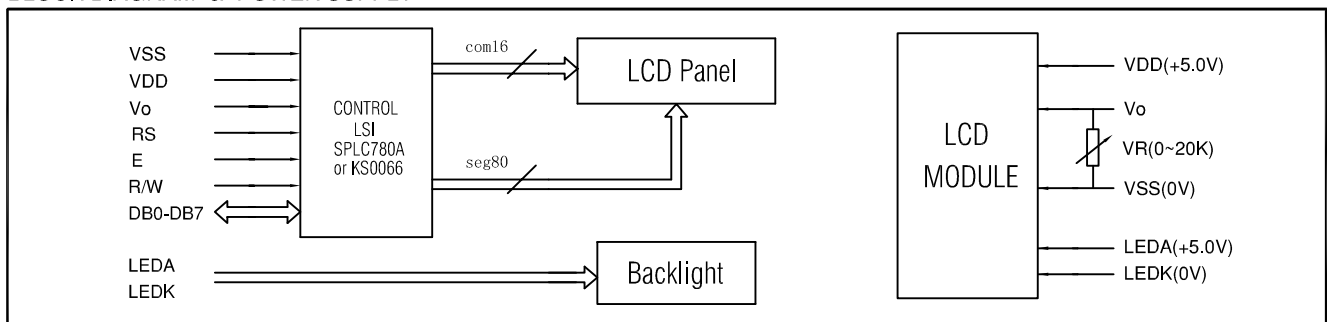


OUTLINE DIMENSIONS



BLOCK DIAGRAM & POWER SUPPLY



MECHANICAL SPECIFICATIONS & FEATURE

Item	Normal Dimensions(mm)	FEATURE	
Module Size (W*H*T)	122.0x44.0x9.8/13.0	LCD Type	STN、TN、HTN、FSTN
View Area (W*H)	99.0x25.0	LCD Colour	STN:Yellow-Green、Gray Other:Gray
Character Pitch(W*H)	6.00x10.34	View Angle	6 O'clock、12 O'clock
Character Size(W*H)	4.84x9.66	Display Type	Positive Type、Negative Type
Character Font	5x8	Rear polarizer	Transmissive、Reflective、Transflective
Dot Pitch (W*H)	0.98x1.16	Operating Temperature	0°C ~ 50°C、-20°C ~ 70°C
Dot Size (W*H)	0.92x1.10	Backlight	LED:Yellow EL:Green、Blue-Green、Blue Without

ELECTRICAL CHARACTERISTICS

Item	Symbol	Test Condition	Min.	Typ.	Max.	Unit
Operating Voltage	Vdd	Ta=25° C	---	5.0	---	V
Operating Voltage for LCD	Vlcd	Ta=25° C	---	4.5	---	V
Supply Current	Idd	Ta=25° C, Vdd=5.0V	---	2.0	3.0	mA
Supply Current for Backlight(LED)	If	Ta=25° C, Vf=4.2V	---	160	---	mA

INTERFACE PIN CONNECTIONS

Pin No	Symbol	Level	Description
1	VSS	--	Ground for Logic
2	VDD	--	Power supply for Logic(+5.0V)
3	Vo	--	Power supply for LCD drive
4	RS	H/L	Register selection (H:Data register, L:Instruction register)
5	R/W	H/L	Read/write selection (H:Read,L:Write)
6	E	H/H—L	Enable signal for LCM
7-14	DB0-DB7	H/L	Data Bus lines
15	LEDA	--	Power supply for Backlight(+)
16	LEDK	--	Power supply for Backlight(-)

REMARK

Operating voltage option: 5.0V or 3.0V  
 Pin15 and Pin16 electrode(A、K) can be exchanged  
 Negative type LCD colour: Blue  
 CGROM font option: English、Japanese、Russian、etc