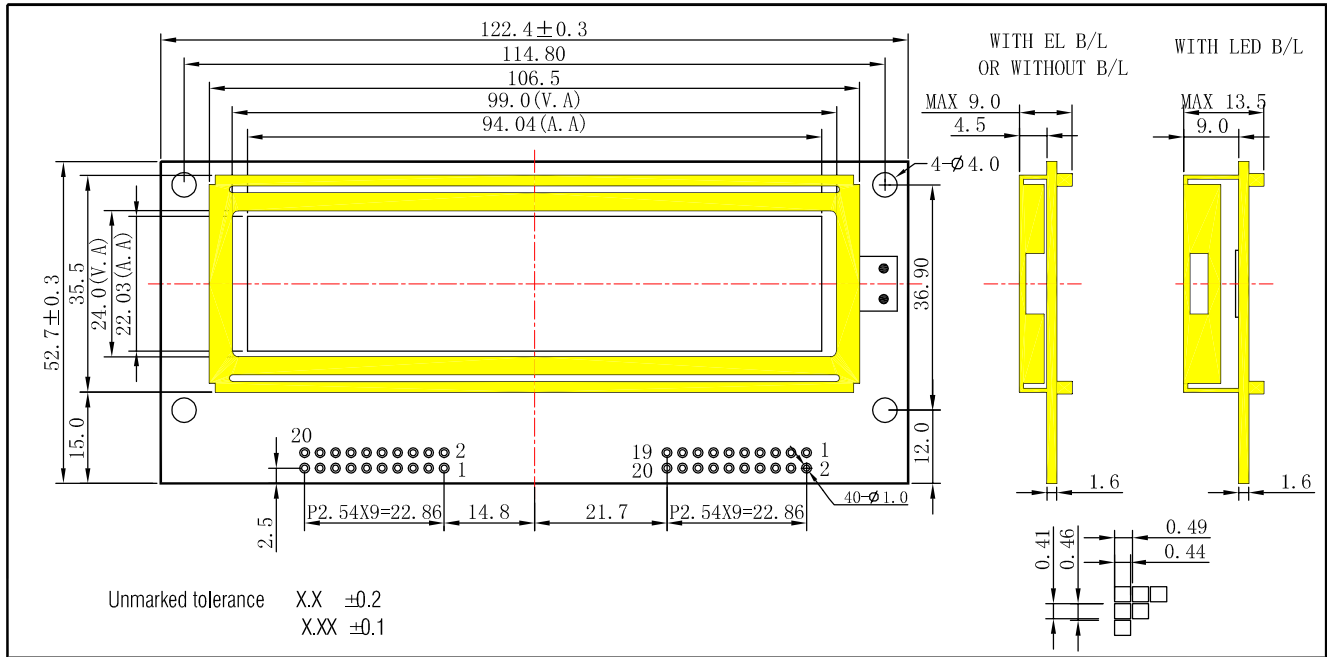
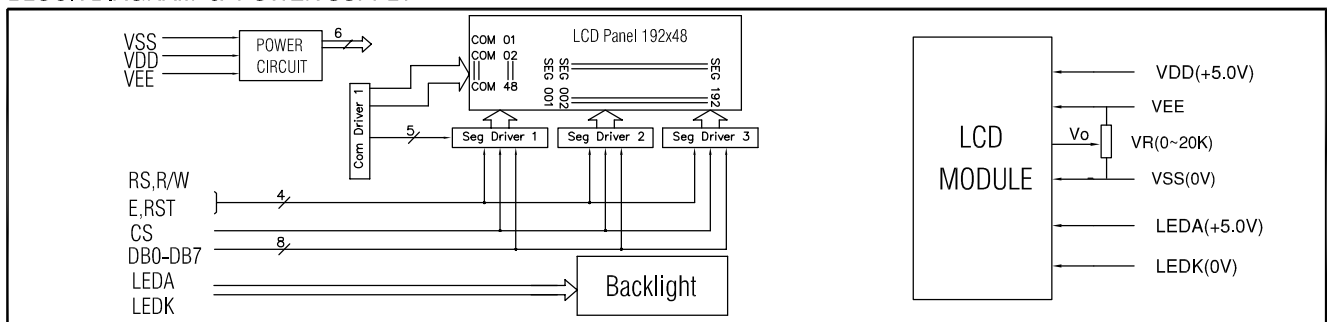


OUTLINE DIMENSIONS



BLOCK DIAGRAM & POWER SUPPLY



MECHANICAL SPECIFICATIONS & FEATURE

Item	Normal Dimensions(mm)	FEATURE	
Module Size (W*H*T)	122.4X52.7X9.0/13.5	LCD Type	STN、FSTN
View Area (W*H)	99.0X24.0	LCD Colour	STN:Yellow-Green、Gray FSTN:Gray
DotsxDots(W*H)	192x48	View Angle	6 O'clock、12 O'clock
Dot Pitch (W*H)	0.44X0.41	Display Type	Positive Type、Negative Type
Dot Size (W*H)	0.49X0.46	Rear polarizer	Transmissive、Reflective、Transflective
---	---	Operating Temperature	0°C ~ 50°C、-20°C ~ 70°C
---	---	Backlight	LED:Yellow EL:Green、Blue-Green、Blue Without

ELECTRICAL CHARACTERISTICS

Item	Symbol	Test Condition	Min.	Typ.	Max.	Unit
Operating Voltage	Vdd	Ta=25° C	---	5.0	---	V
Operating Voltage for LCD	Vlcd	Ta=25° C	---	8.5	---	V
Supply Current	Idd	Ta=25° C, Vdd=5.0V	---	5.0	---	mA
Supply Current for Backlight(LED)	If	Ta=25° C, Vf=4.1V	---	160	---	mA

INTERFACE PIN CONNECTIONS

Pin No	Symbol	Level	Description
1	GND	--	Ground for Logic
2	VDD	--	Power supply for Logic(+5.0V)
3	V0	--	LCD drive voltage
4	RS	H/L	Register selection (H:Data register, L:Instruction register)
5	R/W	H/L	Read/write selection (H:Read,L:Write)
6	E	H/H—L	Enable signal for LCM
7-14	DB7-DB0	H/L	Data Bus lines
15	LEDA	--	Power supply for Backlight(+)
16	LEDK	--	Power supply for Backlight(-)
17	LED1	--	LED Lamp
18	LED2	--	LED Lamp
19	R/W	H/L	Read/write selection
20	E	H/H—L	Enable signal for LCM

REMARK

Operating voltage option: 5.0V or 3.0V
Negative type LCD colour: Blue